

## Excellent Integrated System Limited

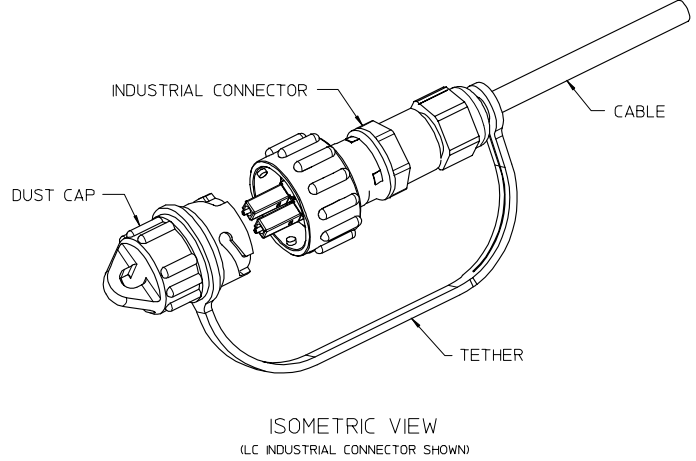
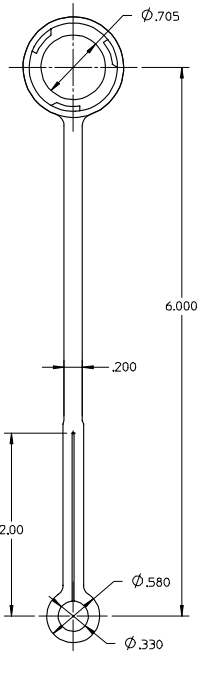
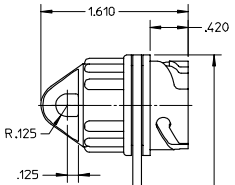
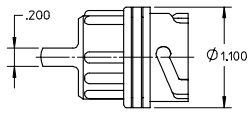
Stocking Distributor

Click to view price, real time Inventory, Delivery & Lifecycle Information:

[Molex Connector Corporation](#)  
[1060590020](#)

For any questions, you can email us directly:

[sales@integrated-circuit.com](mailto:sales@integrated-circuit.com)



ISOMETRIC VIEW  
(LC INDUSTRIAL CONNECTOR SHOWN)

NOTE:  
ALL DIMENSIONS ARE FOR REFERENCE ONLY.

ENTER DESCRIPTION EC NO: MF2007-0260 DRAWN BY: KX CHKD: LG APPR: GUMIN DATE: 2006/10/18 DATE: 2006/10/18 DATE: 2006/10/18	QUALITY SYMBOLS ▽=0 ▽=0	GENERAL TOLERANCES (UNLESS SPECIFIED)		DIMENSION STYLE INCH ONLY		SCALE 1:1	DESIGN UNITS INCH	THIRD ANGLE PROJECTION	
			mm	INCH	DRAWN BY KP	DATE 2006/10/18	TITLE DUST CAP W/ TETHER FOR INDUSTRIAL CONNECTOR		
		4 PLACES	±---	±---	CHECKED BY	DATE	APPROVED BY ILG		
		3 PLACES	±---	±---	APPROVED BY DATE 2006/10/18		MATERIAL NO. 1060590020		
2 PLACES	±---	±---	ANGULAR ±1/2°		DOCUMENT NO. SD-106059-0020			SHEET NO. 1 OF 1	
1 PLACE	±---	±---	DRAFT WHERE APPLICABLE MUST REMAIN WITHIN DIMENSIONS		MOLEX INCORPORATED				
REV A	DESCRIPTION	SIZE B		THIS DRAWING CONTAINS INFORMATION THAT IS PROPRIETARY TO MOLEX INCORPORATED AND SHOULD NOT BE USED WITHOUT WRITTEN PERMISSION					