

Excellent Integrated System Limited

Stocking Distributor

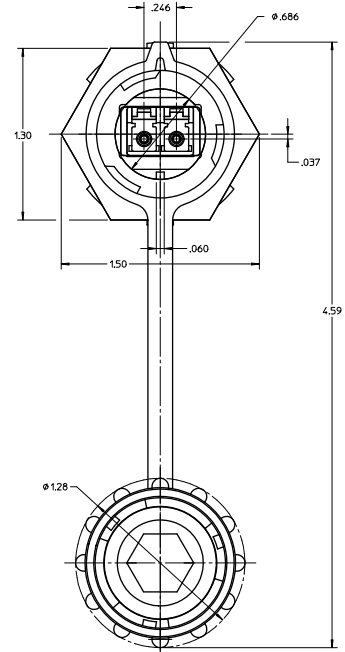
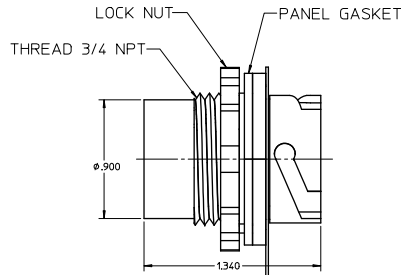
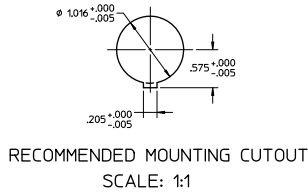
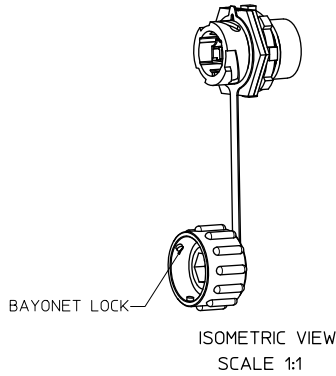
Click to view price, real time Inventory, Delivery & Lifecycle Information:

[Molex Connector Corporation](#)
[1060590210](#)

For any questions, you can email us directly:

sales@integrated-circuit.com

ADAPTER P/N	LC ADAPTER COLOR	CABLE TYPE	INDUSTRIAL DUST COVER
1060590200	BEIGE	MULTIMODE	
1060590210	BLUE	SINGLE MODE	YES
1060590220	GREEN	SINGLE MODE	
1060590230	BEIGE	MULTIMODE	
1060590211	BLUE	SINGLE MODE	NO



INDUSTRIAL DUST COVER
(NOT PROVIDED WITH
P/N's: 106059-0230, 106059-0211)

NOTE:

1. ALL DIMENSIONS ARE FOR REFERENCE ONLY.
2. ADAPTER ASSEMBLY AND ITS COMPONENTS ARE COMPLIANT WITH EU DIRECTIVE 2002/95/EC ON THE RESTRICTION OF THE USE OF HAZARDOUS SUBSTANCES IN ELECTRICAL AND ELECTRONIC EQUIPMENT (ROHS).

EC NO: MF2010-0222 DRWN: YBEDNYAK 2009/11/16 CHKD: 2009/11/16 APPR: GUMIN 2009/11/17	QUALITY SYMBOLS ▽ 0 ▽ 0	GENERAL TOLERANCES (UNLESS SPECIFIED)		SCALE 2:1	DESIGN UNITS INCH	THIRD ANGLE PROJECTION	REVISE ON CAD ONLY
		4 PLACES ± --- ± ---	3 PLACES ± --- ± ---	DIMENSION STYLE INCH ONLY	TITLE ADAPTER LC INDUSTRIAL ASSEMBLY		
		2 PLACES ± --- ± ---	1 PLACE ± --- ± ---	DRAWN BY DATE D.B. 2006/6/30	MOLEX INCORPORATED		
		ANGULAR ± 1/2°		CHECKED BY DATE	MATERIAL NO. DOCUMENT NO. SHEET NO. SEE TABLE 5D-106059-02X 1 OF 1		
DRAFT WHERE APPLICABLE MUST REMAIN WITHIN DIMENSIONS		APPROVED BY DATE I.G. 2006/6/30		THIS DRAWING CONTAINS INFORMATION THAT IS PROPRIETARY TO MOLEX INCORPORATED AND SHOULD NOT BE USED WITHOUT WRITTEN PERMISSION			