

Excellent Integrated System Limited

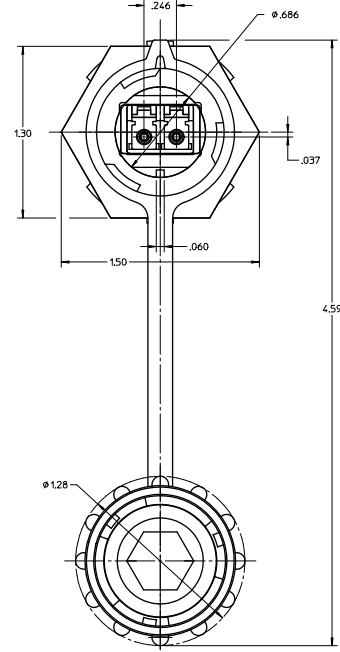
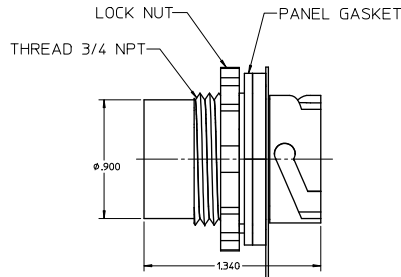
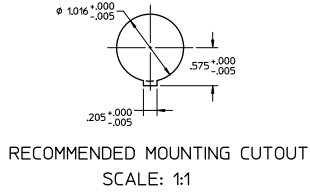
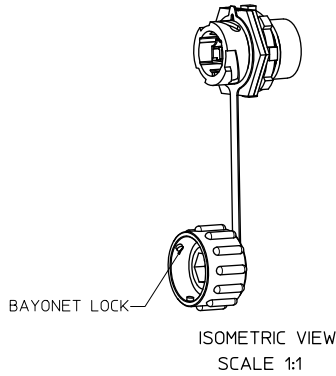
Stocking Distributor

Click to view price, real time Inventory, Delivery & Lifecycle Information:

[Molex Connector Corporation](#)
[1060590230](#)

For any questions, you can email us directly:
sales@integrated-circuit.com

ADAPTER P/N	LC ADAPTER COLOR	CABLE TYPE	INDUSTRIAL DUST COVER
1060590200	BEIGE	MULTIMODE	
1060590210	BLUE	SINGLE MODE	YES
1060590220	GREEN	SINGLE MODE	
1060590230	BEIGE	MULTIMODE	
1060590211	BLUE	SINGLE MODE	NO



INDUSTRIAL DUST COVER
(NOT PROVIDED WITH
P/N's: 106059-0230, 106059-0211)

NOTE:

1. ALL DIMENSIONS ARE FOR REFERENCE ONLY.
2. ADAPTER ASSEMBLY AND ITS COMPONENTS ARE COMPLIANT WITH EU DIRECTIVE 2002/95/EC ON THE RESTRICTION OF THE USE OF HAZARDOUS SUBSTANCES IN ELECTRICAL AND ELECTRONIC EQUIPMENT (ROHS).

EC NO: MF2010-0222 DRWN: YBEDNYAK 2009/11/16 CHKD: 2009/11/16 APPR: GUMIN 2009/11/17	QUALITY SYMBOLS ▽ 0 ▽ 0	GENERAL TOLERANCES (UNLESS SPECIFIED)		SCALE 2:1	DESIGN UNITS INCH	THIRD ANGLE PROJECTION	REVISE ON CAD ONLY	
				DIMENSION STYLE INCH ONLY		TITLE ADAPTER LC INDUSTRIAL ASSEMBLY		
		4 PLACES ± --- ± ---		DRAWN BY DATE		MATERIAL NO. MOLEX INCORPORATED		
		3 PLACES ± --- ± ---		D.B. 2006/6/30		DOCUMENT NO. SEE TABLE 10-106059-02X01 OF 1		
2 PLACES ± --- ± ---		CHECKED BY DATE		APPROVED BY DATE 2006/6/30				
1 PLACE ± --- ± ---		ANGULAR ± 1/2°		SHEET NO. 1 OF 1				
DRAFT WHERE APPLICABLE MUST REMAIN WITHIN DIMENSIONS				THIS DRAWING CONTAINS INFORMATION THAT IS PROPRIETARY TO MOLEX INCORPORATED AND SHOULD NOT BE USED WITHOUT WRITTEN PERMISSION				