

Excellent Integrated System Limited

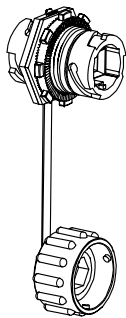
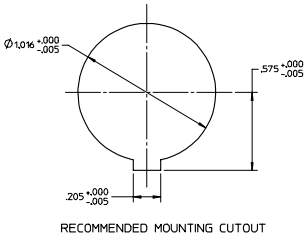
Stocking Distributor

Click to view price, real time Inventory, Delivery & Lifecycle Information:

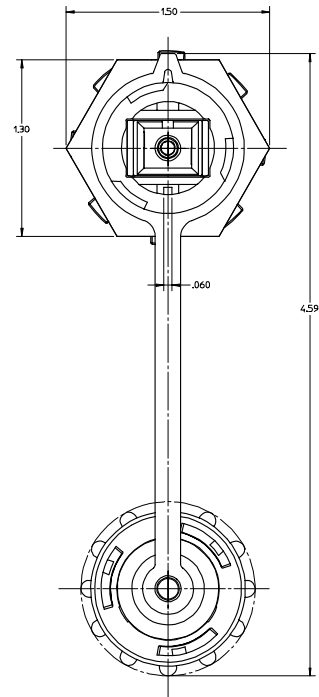
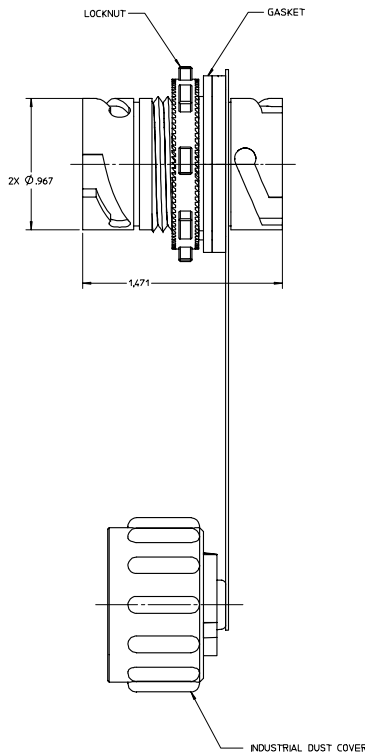
[Molex Connector Corporation](#)
[1060594110](#)

For any questions, you can email us directly:
sales@integrated-circuit.com

SC IN-LINE ADAPTER P/N	CONNECTOR TYPE
1060594100	SINGLE MODE
1060594110	MULTIMODE
1060594120	APC



NOTES:
ALL DIMENSIONS ARE FOR REFERENCE ONLY.



ENTER DESCRIPTION EC NO: MF2007-0511 DRWING: BALTRUKOVI'S CHKD: [] APPR: IGMIN 2007/02/12 DESCRIPTION	QUALITY SYMBOLS	GENERAL TOLERANCES (UNLESS SPECIFIED)	DIMENSION STYLE	SCALE	DESIGN UNITS	THIRD ANGLE PROJECTION															
	$\nabla=0$ $\sphericalangle=0$	<table border="1"> <thead> <tr> <th></th> <th>mm</th> <th>INCH</th> </tr> </thead> <tbody> <tr> <td>4 PLACES</td> <td>±.010</td> <td>±.0004</td> </tr> <tr> <td>3 PLACES</td> <td>±.015</td> <td>±.0005</td> </tr> <tr> <td>2 PLACES</td> <td>±.020</td> <td>±.0008</td> </tr> <tr> <td>1 PLACE</td> <td>±.030</td> <td>±.0012</td> </tr> </tbody> </table>		mm	INCH	4 PLACES	±.010	±.0004	3 PLACES	±.015	±.0005	2 PLACES	±.020	±.0008	1 PLACE	±.030	±.0012	INCH ONLY	2:1	INCH	
		mm	INCH																		
	4 PLACES	±.010	±.0004																		
3 PLACES	±.015	±.0005																			
2 PLACES	±.020	±.0008																			
1 PLACE	±.030	±.0012																			
			DRAWN BY: [] DATE: 2006/6/29 CHECKED BY: [] DATE: [] APPROVED BY: [] DATE: 2006/6/29 I.G.			TITLE: SC IN-LINE INDUSTRIAL ADAPTER MOLEX INCORPORATED															
		DRAFT WHERE APPLICABLE MUST REMAIN WITHIN DIMENSIONS	MATERIAL NO. 10605941X0 DOCUMENT NO. SD-106059-41X0			SHEET NO. 1 OF 1 THIS DRAWING CONTAINS INFORMATION THAT IS PROPRIETARY TO MOLEX INCORPORATED AND SHOULD NOT BE USED WITHOUT WRITTEN PERMISSION															