

## Excellent Integrated System Limited

Stocking Distributor

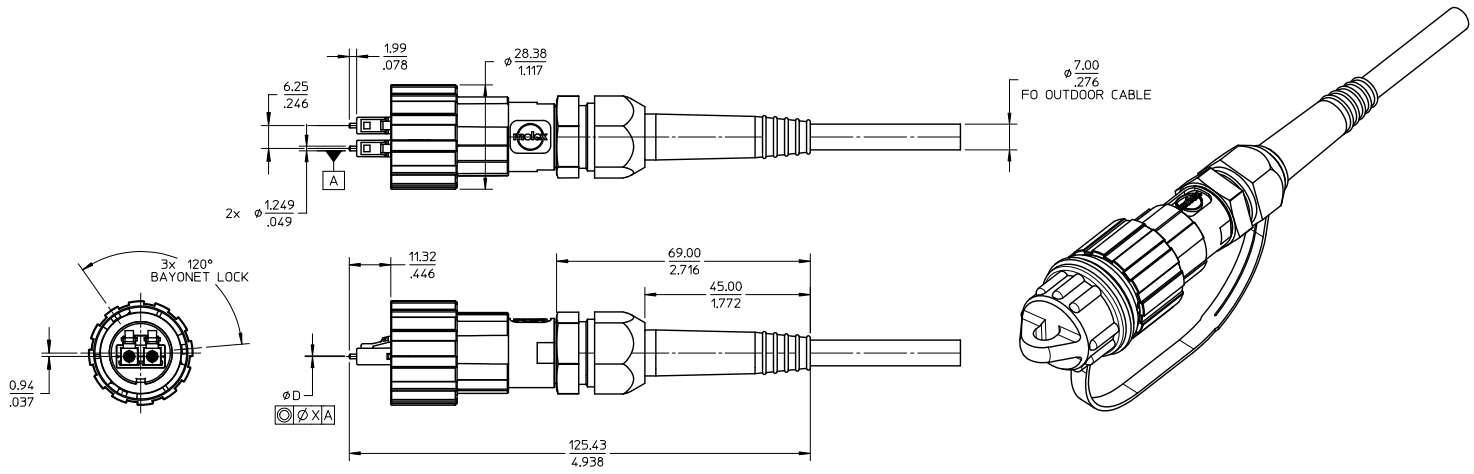
Click to view price, real time Inventory, Delivery & Lifecycle Information:

[Molex Connector Corporation](#)  
[1060597100](#)

For any questions, you can email us directly:

[sales@integrated-circuit.com](mailto:sales@integrated-circuit.com)

10	9	8	7	6	5	4	3	2	106059
PLUG ASSY P/N	CABLE TYPE	ØD (µ)	ØX (µ)						
1060597100	MULTIMODE	127 +3/-0	3						
1060597500	SINGLE MODE	125.5 +0.5/-0	0.5						



- NOTES:
1. ALL DIMENSIONS SHOWN ARE FOR REFERENCE ONLY.
  2. DUST CAP AND TETHER ARE SHOWN IN THE ISOMETRIC VIEW ONLY.

<b>ENTER DESCRIPTION</b> EC NO: MF2011-0319 2011/02/10 DRAWN: BEBNYAK CHKD: APPROV: WCHEN APPR: WCHEN 2011/03/01	QUALITY SYMBOLS	GENERAL TOLERANCES (UNLESS SPECIFIED)	DIMENSION STYLE	SCALE	DESIGN UNITS	THIRD ANGLE PROJECTION
	▽=0 ▽=0	mm INCH 4 PLACES ± --- ± --- 3 PLACES ± --- ± --- 2 PLACES ± --- ± --- 1 PLACE ± --- ± --- ANGULAR ± ---°	MM/IN	1:1	METRIC	
		DRAFT WHERE APPLICABLE MUST REMAIN WITHIN DIMENSIONS	DRAWN BY DATE B. ANDREI 11/02/2006 CHECKED BY DATE S. MIGO 12/4/2006 APPROVED BY DATE WCHEN 2010/10/05 MATERIAL NO. SEE TABLE SIZE B	TITLE PLUG ASSEMBLY METAL BODY INDUSTRIAL LC WITH LOGO MOLEX INCORPORATED DOCUMENT NO. SD-106059-7100 SHEET NO. 1 OF 1		
			THIS DRAWING CONTAINS INFORMATION THAT IS PROPRIETARY TO MOLEX INCORPORATED AND SHOULD NOT BE USED WITHOUT WRITTEN PERMISSION			