

## **Excellent Integrated System Limited**

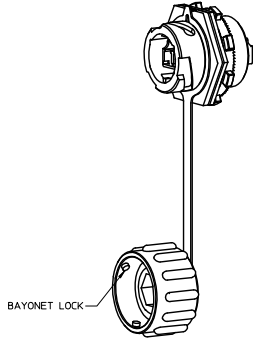
Stocking Distributor

Click to view price, real time Inventory, Delivery & Lifecycle Information:

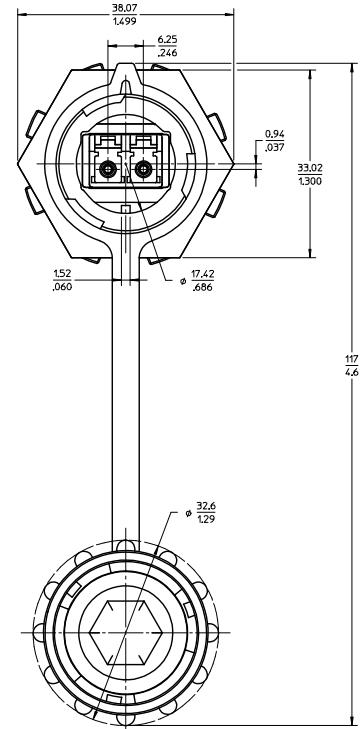
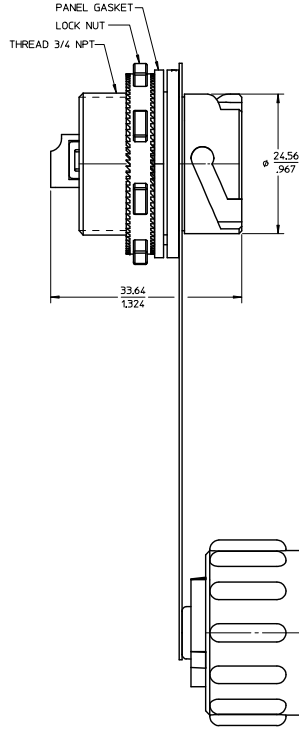
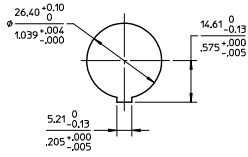
[Molex Connector Corporation](#)  
[1060597850](#)

For any questions, you can email us directly:  
[sales@integrated-circuit.com](mailto:sales@integrated-circuit.com)

ADAPTER P/N	VERSION	CABLE TYPE
1060597250	WITH LOGO	MULTIMODE
1060597450	WITHOUT LOGO	MULTIMODE
1060597650	WITH LOGO	SINGLE MODE
1060597850	WITHOUT LOGO	SINGLE MODE



ISOMETRIC VIEW  
SCALE 1:1



NOTE:

1. ALL DIMENSIONS ARE FOR REFERENCE ONLY.

2. ADAPTER ASSEMBLY AND ITS COMPONENTS ARE COMPLIANT WITH EU DIRECTIVE 2002/95/EC ON THE RESTRICTION OF THE USE OF HAZARDOUS SUBSTANCES IN ELECTRICAL AND ELECTRONIC EQUIPMENT (ROHS).

<b>ENTER DESCRIPTION</b> EC NO: MF2013-0307 DRAWN: SADAUSKAS (ENG) 2012/11/27 CHKD: APPR: WJCHEN 2012/12/04	<b>QUALITY SYMBOLS</b> ▽=0 ▽=0	<b>GENERAL TOLERANCES (UNLESS SPECIFIED)</b>		<b>DIMENSION STYLE</b> MM/IN	<b>SCALE</b> 2:1	<b>DESIGN UNITS</b> METRIC	THIRD ANGLE PROJECTION
		4 PLACES ± --- ± --- 3 PLACES ± --- ± --- 2 PLACES ± --- ± --- 1 PLACE ± --- ± ---	DRAWN BY L. SADAUSKAS 2007/11/12	DATE	TITLE ADAPTER ASSEMBLY, METAL BODY INDUSTRIAL LC W/PLASTIC DUST COVER		
		ANGULAR ± 1/2°	CHECKED BY	DATE	MOLEX INCORPORATED		
		DRAFT WHERE APPLICABLE MUST REMAIN WITHIN DIMENSIONS	APPROVED BY B. ANDREI	DATE	MATERIAL NO. SEE TABLE		
				DOCUMENT NO. SD-106059-7X50	SHEET NO. 1 OF 1		