

Excellent Integrated System Limited

Stocking Distributor

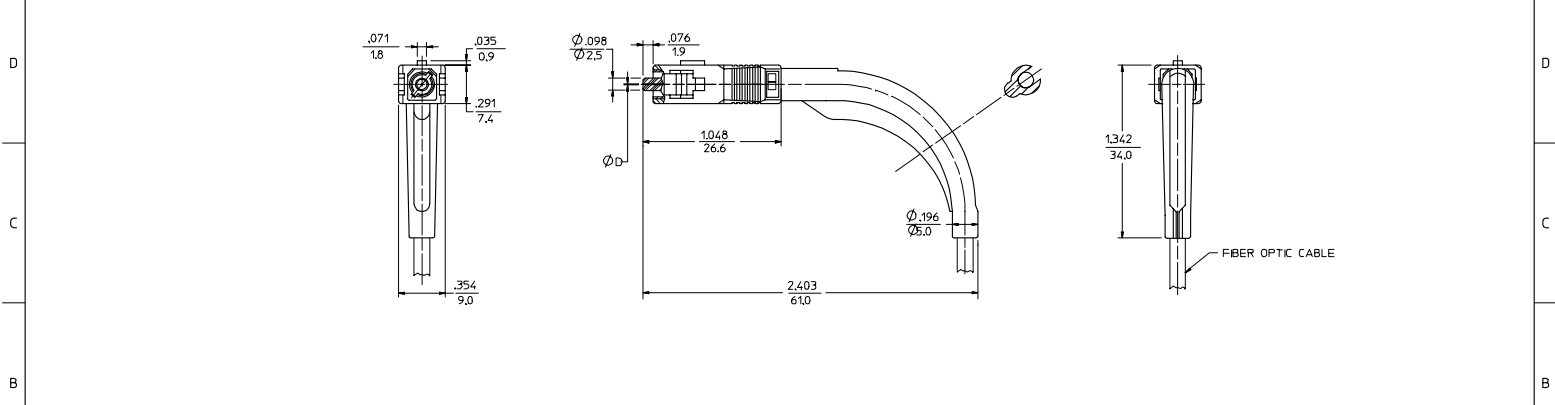
Click to view price, real time Inventory, Delivery & Lifecycle Information:

[Molex Connector Corporation](#)
[1060633460](#)

For any questions, you can email us directly:

sales@integrated-circuit.com

10		9		8		7		6		5		4		3		2		106063												
CONNECTOR P/N	ØD (4m)	HOUSING COLOR	BOOT COLOR	CABLE SIZE (mm)		CONNECTOR TYPE		CONNECTOR P/N	ØD (4m)	HOUSING COLOR	BOOT COLOR	CABLE SIZE (mm)		CONNECTOR TYPE																
106063-0600	127	BLUE	BLUE	2.4		MULTIMODE		106063-4400	125	BLUE	YELLOW	3.0		SINGLE MODE																
106063-0660		BEIGE	BEIGE					106063-4470		BLACK	BLACK					106063-4480	RED	RED												
106063-0670		BLACK	BLACK					106063-4600		BLUE	YELLOW					106063-5400	BLUE	YELLOW												
106063-0400		BLUE	BLUE	3.0				SINGLE MODE		106063-5470	BLACK	BLACK	3.0			SINGLE MODE														
106063-0460		BEIGE	BEIGE							106063-5480	RED	RED						106063-5600	BLUE	YELLOW										
106063-0470		BLACK	BLACK							106063-7400	BLUE	YELLOW						106063-7600	BLUE	YELLOW										
106063-0480	RED	RED	2.4		SINGLE MODE						2.4		SINGLE MODE																	
106063-2400	125.5	BLUE					YELLOW			106063-4400					BLUE			YELLOW	106063-4470	BLACK	BLACK	106063-4480	RED	RED	106063-4600	BLUE	YELLOW	106063-5400	BLUE	YELLOW
106063-2600		128					BEIGE			BEIGE					106063-5470			BLACK	BLACK	106063-5480	RED	RED	106063-5600	BLUE	YELLOW	106063-7400	BLUE	YELLOW	106063-7600	BLUE
106063-3400			BLACK	BLACK			106063-7600	BLUE	YELLOW																					
106063-3470	RED	RED	3.0				MULTIMODE																							
106063-3480	RED	RED																												



NOTE: FERRULE MATERIAL - ZIRCONIA.	ENTER DESCRIPTION EC NO: MF2008-0136 DRAWN BY: DRINKWELTZNER CHKD: 2007/09/25 APPR: GUMIN		QUALITY SYMBOLS ▽=0 ▽=0	GENERAL TOLERANCES (UNLESS SPECIFIED)	DIMENSION STYLE IN/MM	SCALE 1.5:1	DESIGN UNITS INCH	THIRD ANGLE PROJECTION
				4 PLACES ± --- ± --- 3 PLACES ± --- ± --- 2 PLACES ± --- ± --- 1 PLACE ± --- ± ---	mm INCH	DRAWN BY PGIBLIN	DATE 2005/09/23	TITLE SC CONNECTOR, 90 DEGREE BOOT
				ANGULAR ±1/2°		CHECKED BY	DATE	
				DRAFT WHERE APPLICABLE MUST REMAIN WITHIN DIMENSIONS	SEE TABLE	APPROVED BY GUMIN	DATE 2005/09/23	MOLEX INCORPORATED
		REV B1			MATERIAL NO.	DOCUMENT NO. SD-106063-YYY0	SHEET NO. 1 OF 1	
					SIZE B	THIS DRAWING CONTAINS INFORMATION THAT IS PROPRIETARY TO MOLEX INCORPORATED AND SHOULD NOT BE USED WITHOUT WRITTEN PERMISSION		