

## Excellent Integrated System Limited

Stocking Distributor

Click to view price, real time Inventory, Delivery & Lifecycle Information:

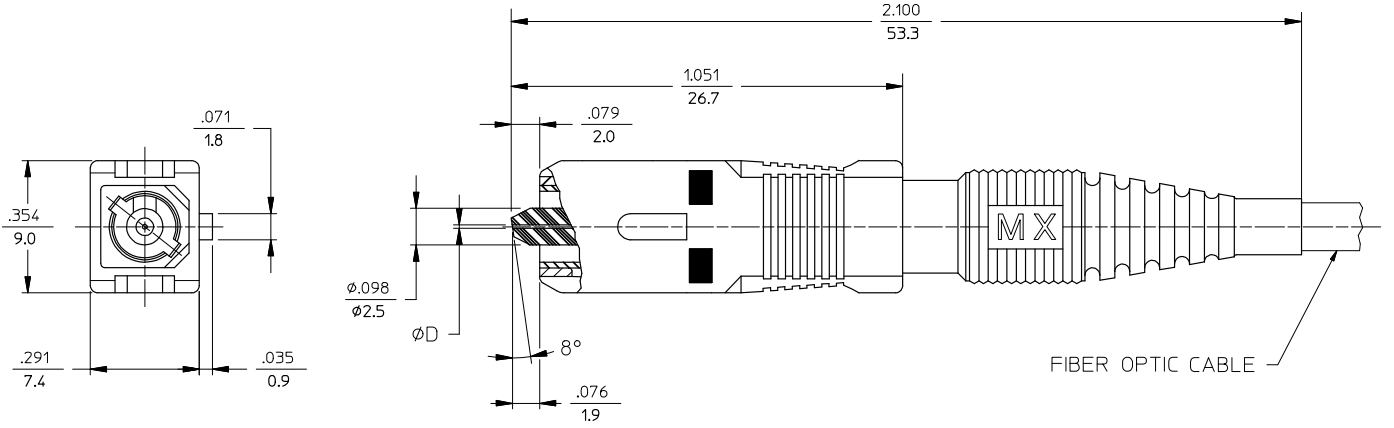
[Molex Connector Corporation](#)  
[1060655000](#)

For any questions, you can email us directly:

[sales@integrated-circuit.com](mailto:sales@integrated-circuit.com)

10 9 8 7 6 5 4 3 2 106065

| P/N of SC CONNECTOR | ∅D (4m) | MATERIAL OF FERRULE | FIBER OPTIC CABLE SIZE(mm) |
|---------------------|---------|---------------------|----------------------------|
| 106065-2000         | 125.5   | Zr                  | 3                          |
| 106065-2300         |         |                     | 2.4                        |
| 106065-4000         | 125     |                     | 3                          |
| 106065-5000         |         |                     | 3                          |
| 106065-5100*        | 126     |                     | 3                          |
| 106065-5300         |         |                     | 2.4                        |
| 106065-5700*        |         | 2.4                 |                            |



NOTES:  
\*1. P/N 106065-5100 IS BULK PACKED IN QUANTITIES OF 100 PCS.

|  |                               |   |            |                           |                                |                           |                        |  |  |
|--|-------------------------------|---|------------|---------------------------|--------------------------------|---------------------------|------------------------|--|--|
| ENTER DESCRIPTION<br>EC NO: MF2008-0435<br>DRAWN BY: DRANKREZNER<br>CHKD: 2008/04/09<br>APPR: LGUMIN<br>2008/04/10 | QUALITY SYMBOLS<br>▽=0<br>▽=0 | GENERAL TOLERANCES (UNLESS SPECIFIED)   |            | DIMENSION STYLE<br>IN/MM  | SCALE<br>5:1                   | DESIGN UNITS<br>INCH      | THIRD ANGLE PROJECTION |  |  |
|  |                               | 4 PLACES ± --- ± ---<br>3 PLACES ± --- ± ---<br>2 PLACES ± --- ± ---<br>1 PLACE ± --- ± --- | mm<br>INCH | DRAWN BY<br>PGIBLIN       | DATE<br>2005/09/26             | TITLE<br>SC APC CONNECTOR |                        |  |  |
|  |                               | ANGULAR ±1/2°   |            | CHECKED BY<br>DATE        | APPROVED BY<br>DATE            | Molex MOLEX INCORPORATED  |                        |  |  |
|  |                               | DRAFT WHERE APPLICABLE<br>MUST REMAIN WITHIN DIMENSIONS                                     |            | MATERIAL NO.<br>SEE TABLE | DOCUMENT NO.<br>SD-106065-XX00 | SHEET NO.<br>1 OF 1       |                        |  |  |

9 8 7 6 5 4 3 2 1