

Excellent Integrated System Limited

Stocking Distributor

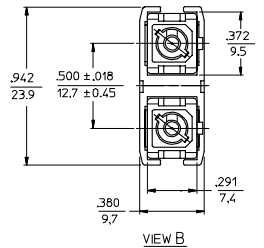
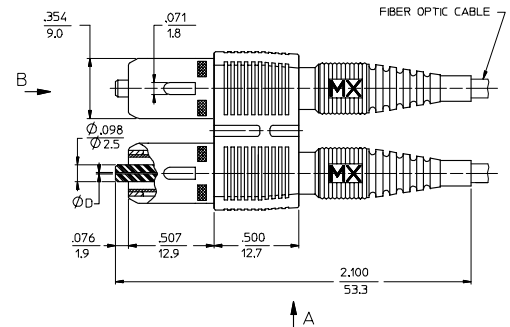
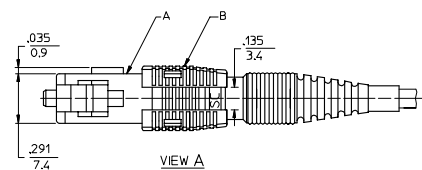
Click to view price, real time Inventory, Delivery & Lifecycle Information:

[Molex Connector Corporation](#)
[1060665000](#)

For any questions, you can email us directly:

sales@integrated-circuit.com

CONNECTOR P/N	ØD mm	MATERIAL OF FERRULE	COLOR OF HOUSING A	COLOR OF HOUSING B	COLOR OF BOOT	CONNECTOR TYPE	CABLE OD mm	
106066-0000	.127	ZIRCONIA	BEIGE	BEIGE	BEIGE	MULTIMODE	3	
*106066-0010			BLACK	BLACK	BLACK			
106066-0070			RED	RED	RED			
106066-2000	.1255		BLUE	BLUE	BLUE	SINGLE MODE		
106066-2080			RED	RED	RED			
106066-3000			BEIGE	BEIGE	BEIGE			
106066-3070	.128		BLACK	BLACK	BLACK	MULTIMODE		
106066-3080			RED	RED	RED			
106066-4000			.125	BLUE	BLUE			BLUE
106066-5000	.126			RED	RED	RED		SINGLE MODE
106066-5001				.127	BLUE	BLUE		BLUE
106066-5080			.125		BEIGE	BEIGE		BEIGE
106066-7000	.126	BEIGE			BEIGE	BEIGE		
106066-4300		.127		BEIGE	BEIGE	BEIGE		
106066-5300			.127	BEIGE	BEIGE	BEIGE		
106066-0300	.127			BEIGE	BEIGE	BEIGE		



NOTES:
 1. DUST CAPS ARE NOT SHOWN.
 *2. P/N 106066-5001 AND P/N 106066-0010 ARE BULK PACKED IN QUANTITIES OF 100 PCS.

EC NO: MF2006-0424 DRAWN BY: RPACIFIC I CHKD: LGMIN APPR: LGMIN DATE: 2006/07/24 DESCRIPTION:	QUALITY SYMBOLS	GENERAL TOLERANCES (UNLESS SPECIFIED)	DIMENSION STYLE IN/MM	SCALE 4:1	DESIGN UNITS INCH	THIRD ANGLE PROJECTION
	▽=0 ∇=0	4 PLACES ± --- ± --- 3 PLACES ± --- ± --- 2 PLACES ± --- ± --- 1 PLACE ± --- ± --- ANGULAR ±1/2°	DRAWN BY: RPACIFIC I DATE: 2005/12/22 CHECKED BY: DATE: APPROVED BY: DATE:	TITLE: SC-D TYPE CONNECTOR		
DRAFT WHERE APPLICABLE MUST REMAIN WITHIN DIMENSIONS		MATERIAL NO. SEE TABLE		DOCUMENT NO. SD-106066-XXX0		SHEET NO. 1 OF 01
THIS DRAWING CONTAINS INFORMATION THAT IS PROPRIETARY TO MOLEX INCORPORATED AND SHOULD NOT BE USED WITHOUT WRITTEN PERMISSION						