

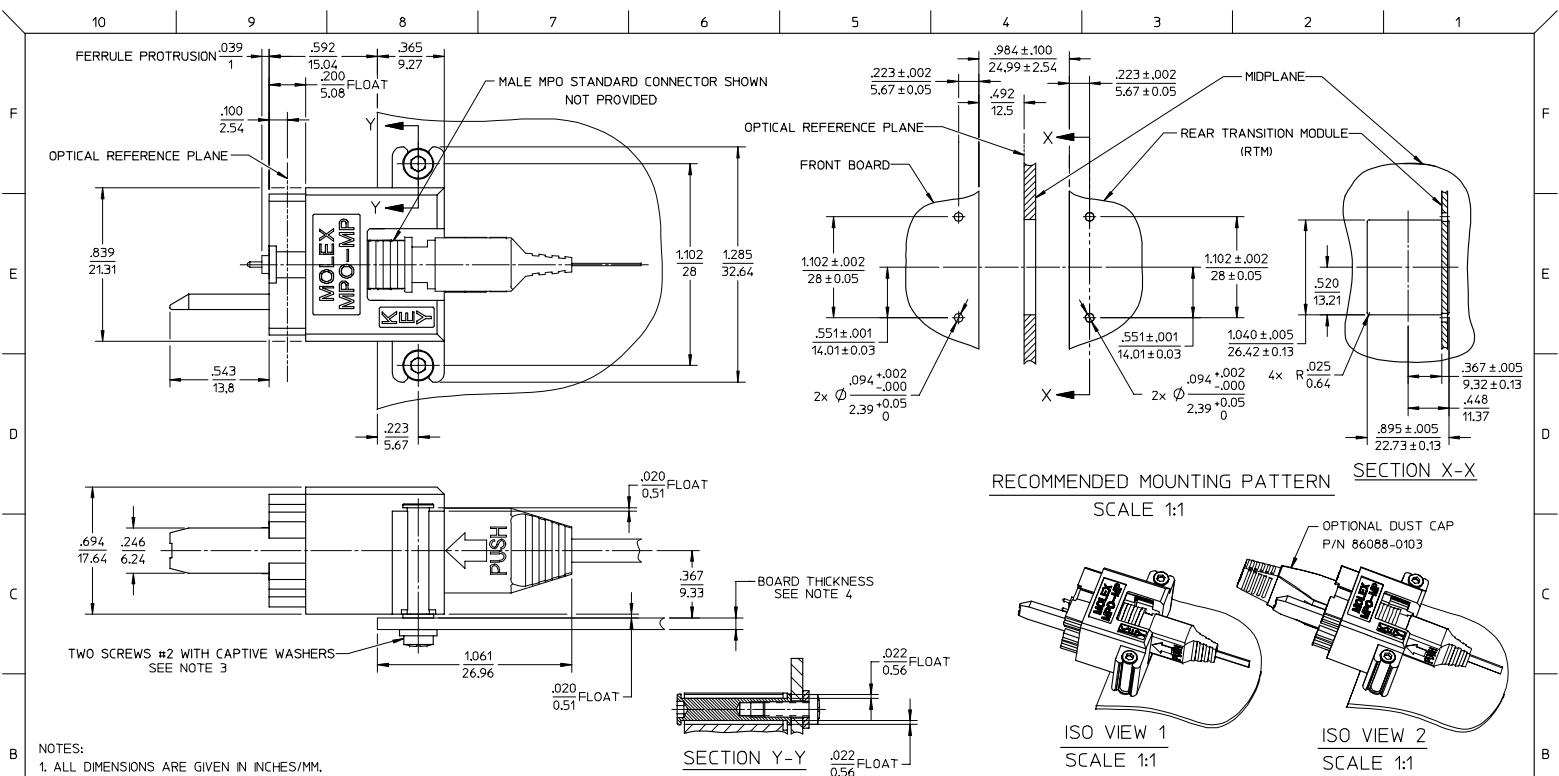
Excellent Integrated System Limited

Stocking Distributor

Click to view price, real time Inventory, Delivery & Lifecycle Information:

[Molex Connector Corporation](#)
[1060880200](#)

For any questions, you can email us directly:
sales@integrated-circuit.com



- NOTES:
1. ALL DIMENSIONS ARE GIVEN IN INCHES/MM.
 2. BOARD THICKNESS FROM .063" TO .094"/1.6mm TO 2.4mm.
 3. TWO SCREWS ARE INSTALLED BY USER.
RECOMMENDED TORQUE: 25 TO 4 INCH.LBS (0.28 TO 0.45 N.m).
DEPENDING ON SUBSTRATE MATERIAL.
USER IS RESPONSIBLE TO DETERMINE THE PROPER TORQUE.
 4. MIDPLANE, FRONT BOARD AND REAR TRANSITION MODULE (RTM) SHOULD HAVE ALIGNMENT AND KEYING ACCORDING TO ATCA REQUIREMENTS.
 5. NO OPTICAL CONNECTIONS SHALL BE MADE UNTIL MIDPLANE (BACKPLANE) ALIGNMENT PINS CONNECTED WITH FEMALE RECEPTACLES OF THE FRONT BOARD AND REAR TRANSITION MODULE (RTM).

ENTER DESCRIPTION EC NO: ME2006-0243 DRAWN BY: BELENY 2005/10/25 CHKD: IMAGLI APPR: IMAGLI 2005/10/25 REV: A	QUALITY SYMBOLS ∇=0 ∇=0	GENERAL TOLERANCES (UNLESS SPECIFIED)		DIMENSION STYLE	SCALE	DESIGN UNITS	THIRD ANGLE PROJECTION				
				IN/MM	2:1	INCH					
		4 PLACES ± --- ± --- 3 PLACES ± --- ± --- 2 PLACES ± --- ± --- 1 PLACE ± --- ± --- ANGULAR ± --- °		DRAWN BY: YB DATE: 10.13.05 CHECKED BY: SM DATE: 10.13.05 APPROVED BY: IM DATE: 10.13.05	TITLE	MATERIAL NO.		DOCUMENT NO.	SHEET NO.		
DRAFT WHERE APPLICABLE MUST REMAIN WITHIN DIMENSIONS		1060880200		SD-106088-0200		MPO MIDPLANE CONNECTOR		MOLLEX MOLEX INCORPORATED		1 OF 1	
THIS DRAWING CONTAINS INFORMATION THAT IS PROPRIETARY TO MOLEX INCORPORATED AND SHOULD NOT BE USED WITHOUT WRITTEN PERMISSION											