

Excellent Integrated System Limited

Stocking Distributor

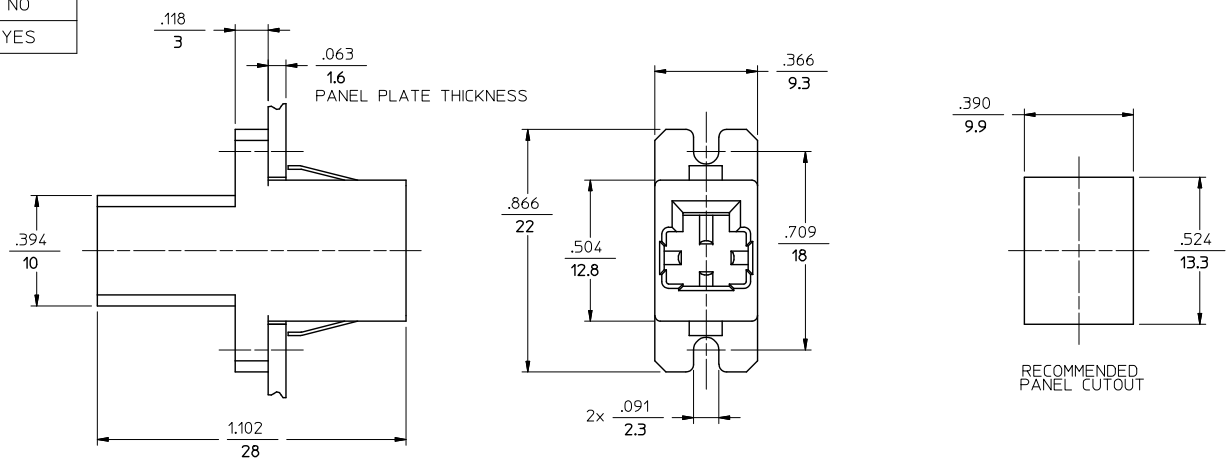
Click to view price, real time Inventory, Delivery & Lifecycle Information:

[Molex Connector Corporation](#)
[1061020100](#)

For any questions, you can email us directly:

sales@integrated-circuit.com

ADAPTER P/N	BULK PACKAGING
106102-0100	NO
106102-0120	YES



- NOTES:
- OPTIONAL SELF TAPPING MOUNTING SCREWS INCLUDED (NOT SHOWN).
 - P/N 106102-0120 IS BULK PACKED IN QUANTITIES OF 100 PCS.

ENTER DESCRIPTION E.C. NO: ME2005-0224 DRAWN/REVISED: 2008/11/11 CHKD: 2008/11/11 APPR: GUMIN 2008/11/13 REV: A1	QUALITY SYMBOLS ▽=0 ▽=0	GENERAL TOLERANCES (UNLESS SPECIFIED) <table border="1"> <thead> <tr> <th></th> <th>mm</th> <th>INCH</th> </tr> </thead> <tbody> <tr> <td>4 PLACES</td> <td>± .005</td> <td>± .0004</td> </tr> <tr> <td>3 PLACES</td> <td>± .004</td> <td>± .0003</td> </tr> <tr> <td>2 PLACES</td> <td>± .003</td> <td>± .0002</td> </tr> <tr> <td>1 PLACE</td> <td>± .002</td> <td>± .0001</td> </tr> </tbody> </table>		mm	INCH	4 PLACES	± .005	± .0004	3 PLACES	± .004	± .0003	2 PLACES	± .003	± .0002	1 PLACE	± .002	± .0001	DIMENSION STYLE IN/MM DRAWN BY: RPACIFIC I DATE: 2005/10/25 CHECKED BY: DATE:	SCALE 4:1 DESIGN UNITS INCH	THIRD ANGLE PROJECTION
		mm	INCH																	
	4 PLACES	± .005	± .0004																	
	3 PLACES	± .004	± .0003																	
2 PLACES	± .003	± .0002																		
1 PLACE	± .002	± .0001																		
APPROVED BY DATE:		TITLE MT-RJ ADAPTER (WITH MOUNTING PLATE)		MOLEX INCORPORATED																
DRAFT WHERE APPLICABLE MUST REMAIN WITHIN DIMENSIONS		MATERIAL NO. SEE TABLE	DOCUMENT NO. SD-106102-0100	SHEET NO. 1 OF 1																
SIZE B THIS DRAWING CONTAINS INFORMATION THAT IS PROPRIETARY TO MOLEX INCORPORATED AND SHOULD NOT BE USED WITHOUT WRITTEN PERMISSION																				