

Excellent Integrated System Limited

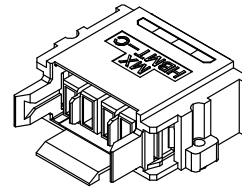
Stocking Distributor

Click to view price, real time Inventory, Delivery & Lifecycle Information:

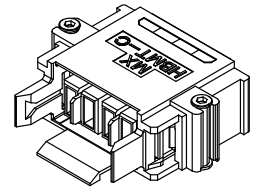
[Molex Connector Corporation](#)
[1061050100](#)

For any questions, you can email us directly:
sales@integrated-circuit.com

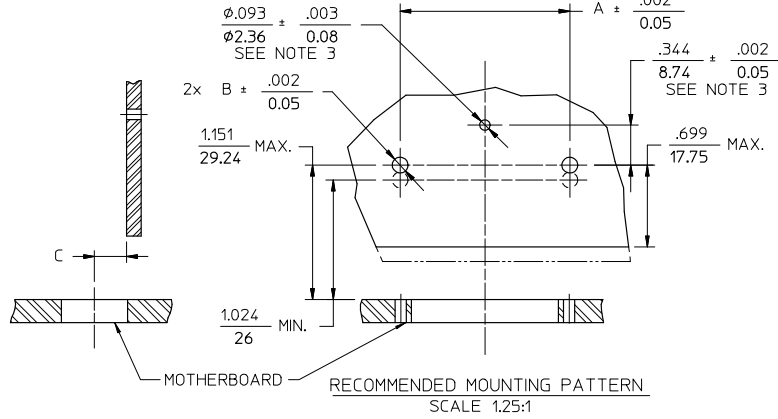
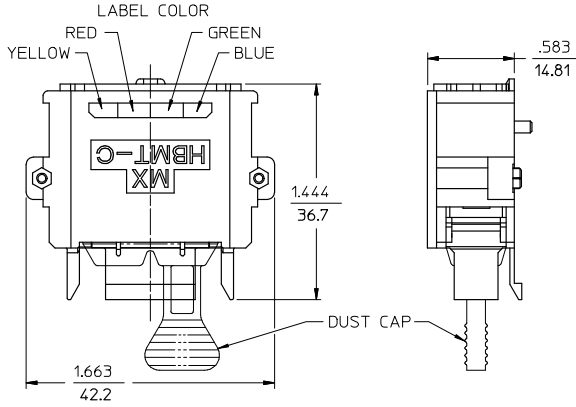
CONNECTOR P/N	MOUNTING	FLOAT	PLATING	A	B	C	MATES WITH MOTHERBOARD ADAPTER P/N
106105-0100	RIVET	NO	NO	1.457 (37)	.135 (3.43)	.275 (6.98)	106105-0000, 106105-1000
106105-1100	SCREW	NO	NO	1.457 (37)	.135 (3.43)	.275 (6.98)	106105-0000, 106105-1000
106105-2100	SCREW	YES	NO	1.497 (38)	.090 (2.29)	.295 (7.49)	106105-0000, 106105-1000, 106105-2000
106105-2300	SCREW	YES	YES	1.497 (38)	.090 (2.29)	.295 (7.49)	106105-2200



ISOMETRIC VIEW
RIVET MOUNTING



ISOMETRIC VIEW
SCREW MOUNTING WITH FLOAT

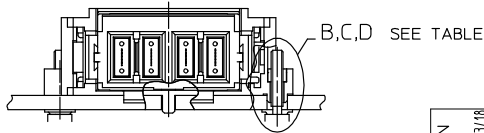
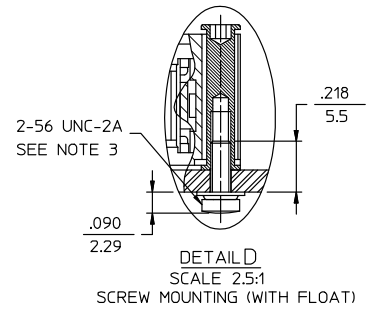
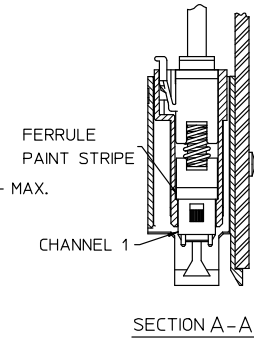
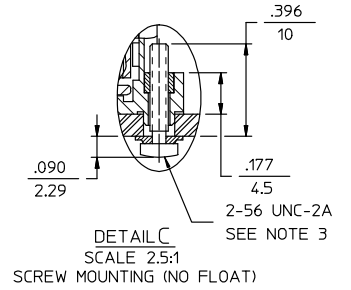
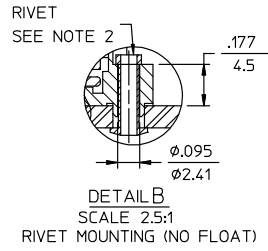
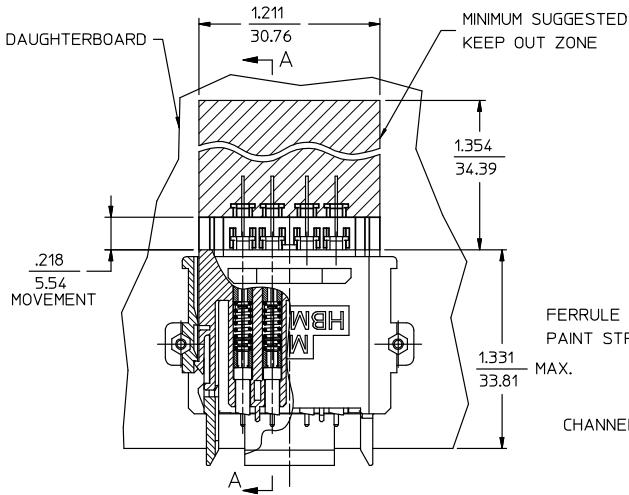


NOTES:

1. RIVETS NOT INCLUDED WITH CONNECTOR.
2. SCREW ARE INCLUDED WITH CONNECTOR AND ARE INSTALLED BY USER.
RECOMMENDED TORQUE: 2.5 TO 4 IN.LBS (0.28 TO 0.45 N.m) DEPENDING ON SUBSTRATE MATERIAL AND SCREW TYPE. USER IS ENCOURAGED TO DETERMINE THE PROPER TORQUE TO USE BY TRIAL (SEE MACHINERY'S HANDBOOK FOR PROCEDURE).
3. CENTER LOCATOR HOLE AND PEG NOT USED ON P/Ns 106105-2100, 106105-2300.

ENTER DESCRIPTION EC NO: MF2008-0396 DRAWING REVISOR 2008/03/18 CHKD: 2008/03/18 APPR: LGMIN 2008/03/19	QUALITY SYMBOLS ▽=0 ▽=0	GENERAL TOLERANCES (UNLESS SPECIFIED)		DIMENSION STYLE IN/MM	SCALE 2.5:1	DESIGN UNITS INCH	THIRD ANGLE PROJECTION		
		4 PLACES ± --- ± ---	3 PLACES ± --- ± ---	2 PLACES ± --- ± ---	1 PLACE ± --- ± ---	DRAWN BY PGIBLIN	DATE 2005/10/31	TITLE HBMT DAUGHTER CARD CONNECTOR	
		ANGULAR ±1/2°				CHECKED BY	DATE	APPROVED BY	
		DRAFT WHERE APPLICABLE MUST REMAIN WITHIN DIMENSIONS				MATERIAL NO. SEE TABLE	DOCUMENT NO. SD-106105-0100	SHEET NO. 1 OF 02	

10 9 8 7 6 5 4 3 2 1



ENTER DESCRIPTION EC NO: MF2008-0396 DRAWING REVISION CHKD: 2008/03/18 APPR: LGMIN 2008/03/19 A1	QUALITY SYMBOLS ▽=0 ▽=0	GENERAL TOLERANCES (UNLESS SPECIFIED)		DIMENSION STYLE IN/MM	SCALE 2.5:1	DESIGN UNITS INCH	THIRD ANGLE PROJECTION
		mm	INCH	DRAWN BY PGIBLIN	DATE 2005/10/31	TITLE HBMT DAUGHTER CARD CONNECTOR	
	4 PLACES ± --- ± --- 3 PLACES ± --- ± --- 2 PLACES ± --- ± --- 1 PLACE ± --- ± ---			CHECKED BY DATE	APPROVED BY DATE		
		ANGULAR ±1/2°		MATERIAL NO. SEE TABLE	DOCUMENT NO. SD-106105-0100	MOLEX INCORPORATED	

9 8 7 6 5 4 3 2 1