

Excellent Integrated System Limited

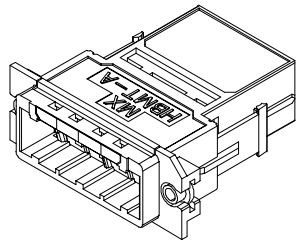
Stocking Distributor

Click to view price, real time Inventory, Delivery & Lifecycle Information:

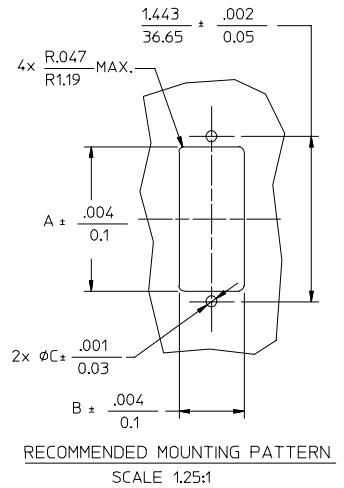
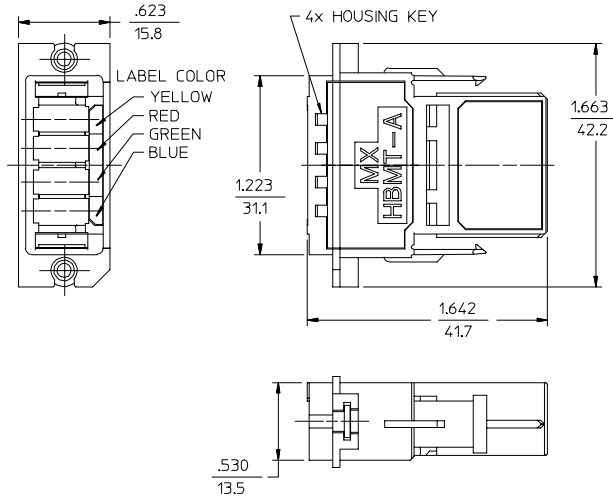
[Molex Connector Corporation](#)
[1061052000](#)

For any questions, you can email us directly:
sales@integrated-circuit.com

ADAPTER P/N	MOUNTING	FLOAT	PLATING	A	B	C	D WHEN E<.158 (4)	D WHEN E>.158 (4)	MATES WITH DAUGHTER CARD CONNECTOR P/N	BACKPLANE MATERIAL
106105-0000	RIVET	YES	NO	1.263 (32.08)	.570 (14.48)	.095 (2.41)	.367 (9.32)-E	.209 (5.31)	106105-0100, 106105-1100, 106105-2100	ANY
106105-1000	SCREW	YES	NO	1.263 (32.08)	.570 (14.48)	.090 (2.29)	.417 (10.59)-E	.259 (6.58)	106105-0100, 106105-1100, 106105-2100	NON-METALLIC
106105-1001	SCREW	YES	NO	1.263 (32.08)	.570 (14.48)	.090 (2.29)	.417 (10.59)-E	.259 (6.58)	106105-0100, 106105-1100, 106105-2100	ANY
106105-2200	SCREW	NO	YES	1.233 (31.32)	.540 (13.72)	.090 (2.29)	.417 (10.59)-E	.259 (6.58)	106105-2300	ANY
106105-2000	SCREW	NO	NO	1.233 (31.32)	.540 (13.72)	.090 (2.29)	.417 (10.59)-E	.259 (6.58)	106105-2100	ANY



ISOMETRIC VIEW

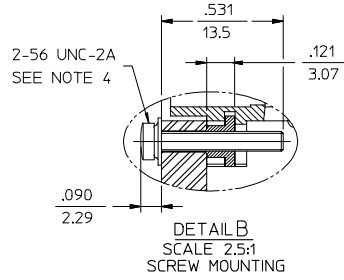
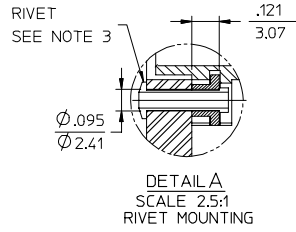
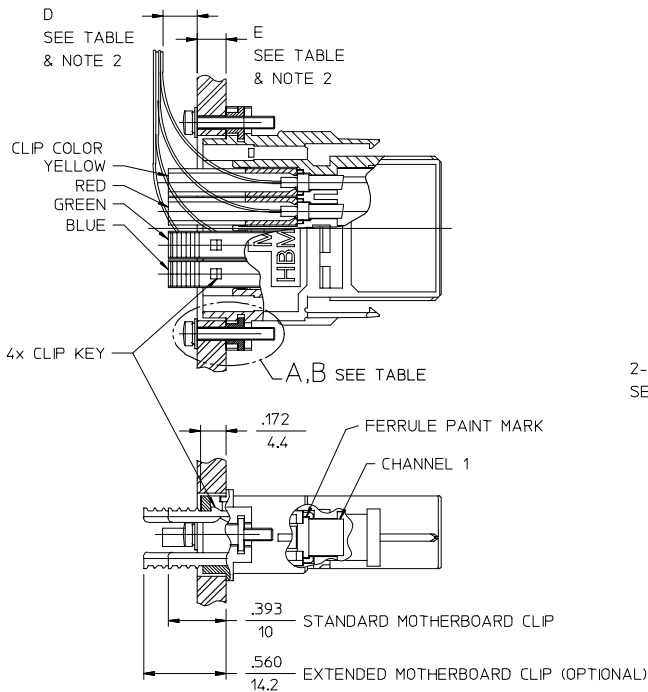


RECOMMENDED MOUNTING PATTERN
SCALE 1.25:1

NOTES:

1. WHEN DIMENSION E IS GREATER THAN .158 (4), MOTHERBOARD MAY BE RECESSED FOR SCREW HEAD TO REDUCE DIMENSION D.
2. RIVETS NOT INCLUDED WITH ADAPTER.
3. SCREWS ARE INCLUDED WITH ADAPTER AND ARE INSTALLED BY USER.
RECOMMENDED TORQUE: 2.5 TO 4 IN.LBS (0.28 TO 0.45 N.m) DEPENDING ON SUBSTRATE MATERIAL AND SCREW TYPE. USER IS ENCOURAGED TO DETERMINE THE PROPER TORQUE TO USE BY TRIAL (SEE MACHINERY'S HANDBOOK FOR PROCEDURE).
4. ASSEMBLY TOOL (MOLEX P/N 86902-1400) IS REQUIRED TO MOUNT ADAPTER P/N 106105-1001 TO BACKPLANE.

ENTER DESCRIPTION EC NO: ME2006-0296 DRAWN: PGIBLIN 2005/11/29 CHKD: 2005/11/29 APPR: GUMIN 2005/11/29 REV:	QUALITY SYMBOLS	GENERAL TOLERANCES (UNLESS SPECIFIED) 4 PLACES ± --- ± --- 3 PLACES ± --- ± --- 2 PLACES ± --- ± --- 1 PLACE ± --- ± --- ANGULAR ± 1° DRAFT WHERE APPLICABLE MUST REMAIN WITHIN DIMENSIONS	DIMENSION STYLE	SCALE	DESIGN UNITS	THIRD ANGLE PROJECTION	
			IN/MM	2:1	INCH		
				DRAWN BY	DATE	TITLE	
				PGIBLIN	2005/10/31	HBMT MOTHERBOARD ADAPTER	
			CHECKED BY	DATE			
			APPROVED BY	DATE			
			MATERIAL NO.	DOCUMENT NO.		SHEET NO.	
			SEE TABLE	SD-106105-100X		1 OF 02	
			THIS DRAWING CONTAINS INFORMATION THAT IS PROPRIETARY TO MOLEX INCORPORATED AND SHOULD NOT BE USED WITHOUT WRITTEN PERMISSION				



ENTER DESCRIPTION EC NO: ME2006-0296 DRAWN: PGIBLIN 2005/11/29 CHKD: 2005/11/29 APPR: GUMIN 2005/11/29 REV: A	QUALITY SYMBOLS ▽=0 ▽=0	GENERAL TOLERANCES (UNLESS SPECIFIED) <table border="1"> <tr> <th></th> <th>mm</th> <th>INCH</th> </tr> <tr> <td>4 PLACES</td> <td>± .---</td> <td>± .---</td> </tr> <tr> <td>3 PLACES</td> <td>± .---</td> <td>± .---</td> </tr> <tr> <td>2 PLACES</td> <td>± .---</td> <td>± .---</td> </tr> <tr> <td>1 PLACE</td> <td>± .---</td> <td>± .---</td> </tr> </table>		mm	INCH	4 PLACES	± .---	± .---	3 PLACES	± .---	± .---	2 PLACES	± .---	± .---	1 PLACE	± .---	± .---	DIMENSION STYLE IN/MM DRAWN BY PGIBLIN DATE 2005/10/31 CHECKED BY DATE APPROVED BY DATE	SCALE 2:1 DESIGN UNITS INCH THIRD ANGLE PROJECTION	TITLE HBMT MOTHERBOARD ADAPTER
		mm	INCH																	
	4 PLACES	± .---	± .---																	
	3 PLACES	± .---	± .---																	
2 PLACES	± .---	± .---																		
1 PLACE	± .---	± .---																		
	DRAFT WHERE APPLICABLE MUST REMAIN WITHIN DIMENSIONS	MATERIAL NO. SEE TABLE	MOLEX INCORPORATED	DOCUMENT NO. SD-106105-100X	SHEET NO. 2 OF 02															
		SIZE B	THIS DRAWING CONTAINS INFORMATION THAT IS PROPRIETARY TO MOLEX INCORPORATED AND SHOULD NOT BE USED WITHOUT WRITTEN PERMISSION																	