

Excellent Integrated System Limited

Stocking Distributor

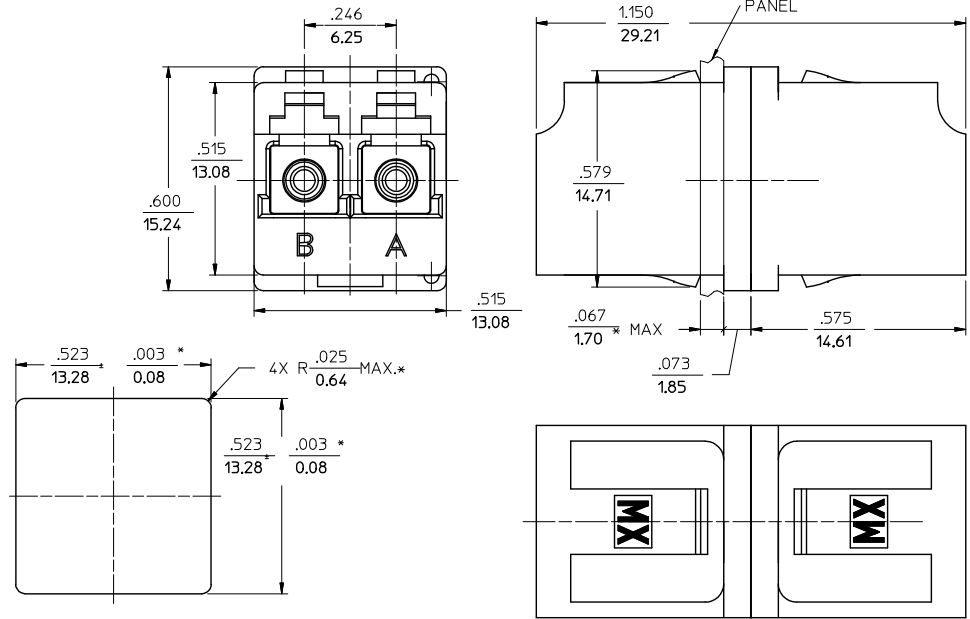
Click to view price, real time Inventory, Delivery & Lifecycle Information:

[Molex Connector Corporation](#)
[1061250110](#)

For any questions, you can email us directly:

sales@integrated-circuit.com

ADAPTER P/N	COLOR	SPLIT SLEEVE MATERIAL
106125-1100	BLUE	ZIRCONIA - ZrO ₂
106125-0110	BEIGE	Ph. Bronze
106125-0111*		
106125-1150	GREEN	ZIRCONIA - ZrO ₂
106125-0100	BLUE	Ph. Bronze
106125-1110	BEIGE	ZIRCONIA - ZrO ₂
106125-0120	AQUA	Ph. Bronze
106125-1170	BLACK	ZIRCONIA - ZrO ₂



(DUST CAPS ARE NOT SHOWN)

RECOMMENDED PANEL CUTOUT
 PANEL THICKNESS $\frac{.067}{1.70}$ MAX.

- NOTES:
- ALL DIMENSIONS ARE FOR REFERENCE ONLY, EXCEPT WHEN MARKED WITH (*).
 - P/N 106125-0111 SHALL BE BULK PACKED IN QUANTITIES OF 100pcs.
 - ALL POLYMERIC MATERIALS USED IN THIS ADAPTER HAVE UL94 RATING OF V-0.

ENTER DESCRIPTION E.C. NO: ME2013-0244 DRAWN/REVISED: 2012/10/29 CHKD: [NAME] APPR: [NAME] REV: []	QUALITY SYMBOLS	GENERAL TOLERANCES (UNLESS SPECIFIED)	DIMENSION STYLE	SCALE	DESIGN UNITS	THIRD ANGLE PROJECTION
	$\nabla=0$ $\nabla=0$	mm INCH 4 PLACES ± --- ± --- 3 PLACES ± --- ± --- 2 PLACES ± --- ± --- 1 PLACE ± --- ± --- 0 PLACE ± --- ± ---	IN/MM	4:1	INCH	
		ANGULAR ±1/2° DRAFT WHERE APPLICABLE MUST REMAIN WITHIN DIMENSIONS	DRAWN BY: PGIBLIN DATE: 2005/10/04 CHECKED BY: [] DATE: [] APPROVED BY: [] DATE: 2005/10/04	TITLE: LC DUPLEX ADAPTER DOCUMENT NO.: SD-106125-X1X0 SHEET NO.: 1 OF 1		
			MATERIAL NO.: SEE TABLE SIZE: B	THIS DRAWING CONTAINS INFORMATION THAT IS PROPRIETARY TO MOLEX INCORPORATED AND SHOULD NOT BE USED WITHOUT WRITTEN PERMISSION		