

Excellent Integrated System Limited

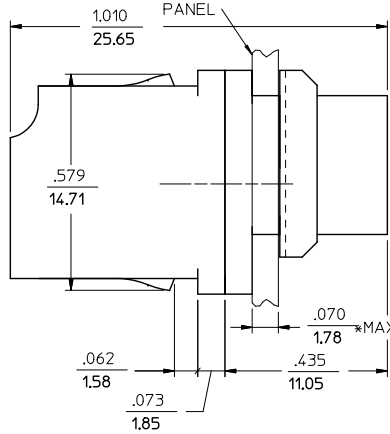
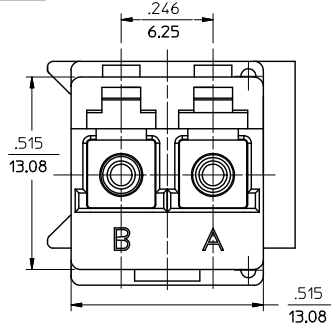
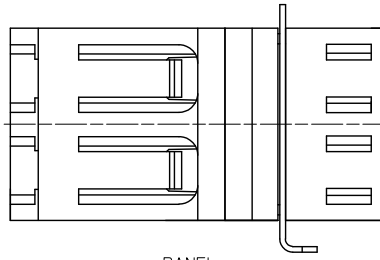
Stocking Distributor

Click to view price, real time Inventory, Delivery & Lifecycle Information:

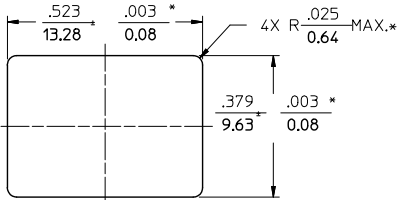
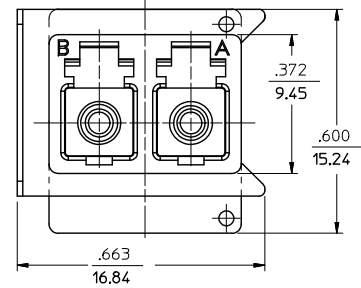
[Molex Connector Corporation](#)
[1061250210](#)

For any questions, you can email us directly:
sales@integrated-circuit.com

| ADAPTER WITH RETAINER P/N | COLOR | SPLIT SLEEVE MATERIAL |
|---------------------------|-------|-----------------------------|
| 106125-1200 | BLUE | ZIRCONIA - ZrO ₂ |
| 106125-0210 | BEIGE | Ph. Bronze |
| 106125-1250 | GREEN | ZIRCONIA - ZrO ₂ |
| 106125-0200 | BLUE | Ph. Bronze |
| 106125-1210 | BEIGE | ZIRCONIA - ZrO ₂ |



(DUST CAPS ARE NOT SHOWN)



NOTES:
1. ALL DIMENSIONS ARE FOR REFERENCE ONLY, EXCEPT WHEN MARKED WITH (*).

RECOMMENDED PANEL CUTOUT

PANEL THICKNESS $\frac{.070}{1.78}$ MAX.

| ENTER DESCRIPTION E.C. NO: ME2013-0244 DRAWN/REVISED: 2012/10/29 CHKD: [blank] APPR: [blank] | QUALITY SYMBOLS ▽=0 ▽=0 | GENERAL TOLERANCES (UNLESS SPECIFIED) | | DIMENSION STYLE | SCALE | DESIGN UNITS | THIRD ANGLE PROJECTION |
|--|-------------------------------|---------------------------------------|------|---|--|------------------------|-----------------------------|
| | | mm | INCH | IN/MM | 4:1 | INCH | |
| A1 | 4 PLACES | ± | ± | DRAWN BY: PGIBLIN DATE: 2005/10/03 | TITLE: LC DUPLEX ADAPTER, LOW PROFILE, WITH RETAINER | MATERIAL NO. SEE TABLE | DOCUMENT NO. SD-106125-X2X0 |
| | 3 PLACES | ± | ± | | | | |
| | 2 PLACES | ± | ± | APPROVED BY: [blank] DATE: [blank] | SHEET NO. 1 OF 1 | | |
| | 1 PLACE | ± | ± | MATERIAL NO. SEE TABLE | | | |
| | 0 PLACE | ± | ± | | | | |
| ANGULAR ±1/2° DRAFT WHERE APPLICABLE MUST REMAIN WITHIN DIMENSIONS | | SIZE B | | THIS DRAWING CONTAINS INFORMATION THAT IS PROPRIETARY TO MOLEX INCORPORATED AND SHOULD NOT BE USED WITHOUT WRITTEN PERMISSION | | | |