

Excellent Integrated System Limited

Stocking Distributor

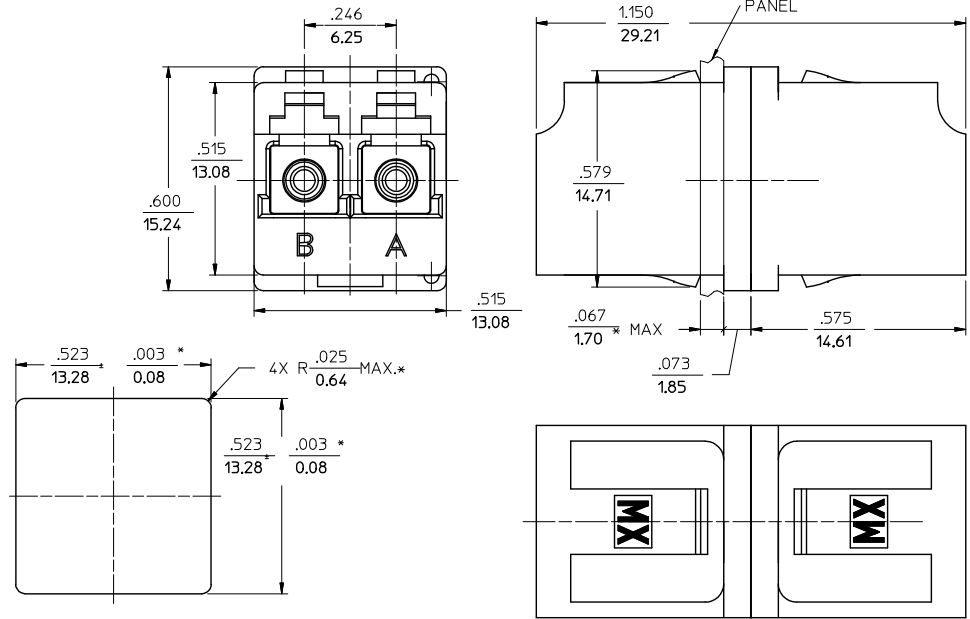
Click to view price, real time Inventory, Delivery & Lifecycle Information:

[Molex Connector Corporation](#)
[1061251100](#)

For any questions, you can email us directly:

sales@integrated-circuit.com

ADAPTER P/N	COLOR	SPLIT SLEEVE MATERIAL
106125-1100	BLUE	ZIRCONIA - ZrO ₂
106125-0110	BEIGE	Ph. Bronze
106125-0111*		
106125-1150	GREEN	ZIRCONIA - ZrO ₂
106125-0100	BLUE	Ph. Bronze
106125-1110	BEIGE	ZIRCONIA - ZrO ₂
106125-0120	AQUA	Ph. Bronze
106125-1170	BLACK	ZIRCONIA - ZrO ₂



(DUST CAPS ARE NOT SHOWN)

RECOMMENDED PANEL CUTOUT
 PANEL THICKNESS $\frac{.067}{1.70}$ MAX.

- NOTES:
- ALL DIMENSIONS ARE FOR REFERENCE ONLY, EXCEPT WHEN MARKED WITH (*).
 - P/N 106125-0111 SHALL BE BULK PACKED IN QUANTITIES OF 100pcs.
 - ALL POLYMERIC MATERIALS USED IN THIS ADAPTER HAVE UL94 RATING OF V-0.

ENTER DESCRIPTION E.C. NO: ME2013-0244 DRAWN/REVISED: 2012/10/29 CHKD: [NAME] APPR: [NAME] REV: []	QUALITY SYMBOLS	GENERAL TOLERANCES (UNLESS SPECIFIED) mm INCH 4 PLACES ± --- ± --- 3 PLACES ± --- ± --- 2 PLACES ± --- ± --- 1 PLACE ± --- ± --- 0 PLACE ± --- ± --- ANGULAR ±1/2° DRAFT WHERE APPLICABLE MUST REMAIN WITHIN DIMENSIONS	DIMENSION STYLE	SCALE	DESIGN UNITS	THIRD ANGLE PROJECTION
	▽=0 ▽=0		IN/MM	4:1	INCH	
	DRAWN BY: PGIBLIN CHECKED BY: [] APPROVED BY: [] MATERIAL NO. SEE TABLE SIZE B		DATE: 2005/10/04 DATE: [] DATE: 2005/10/04	TITLE: LC DUPLEX ADAPTER DOCUMENT NO. SD-106125-X1X0		
	SHEET NO. 1 OF 1					