

Excellent Integrated System Limited

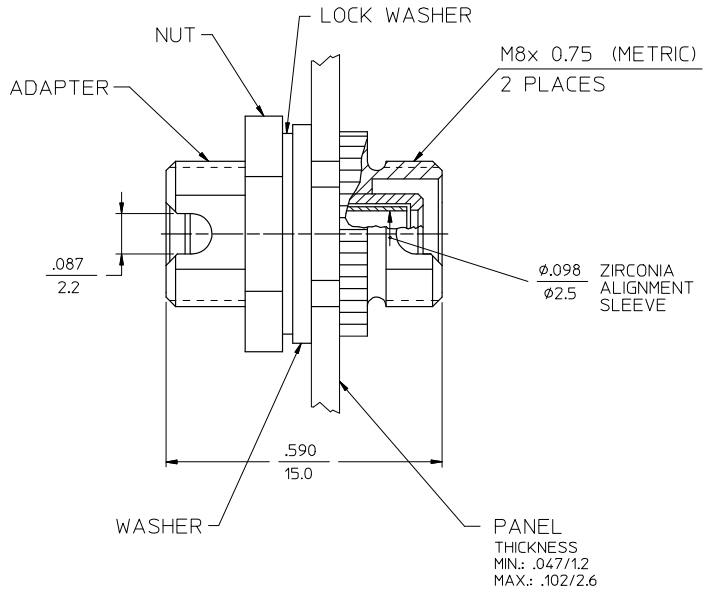
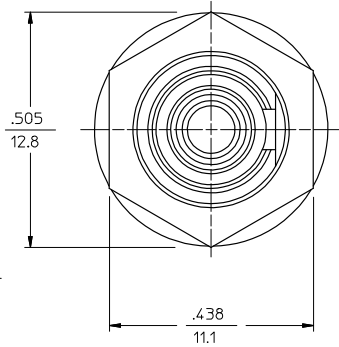
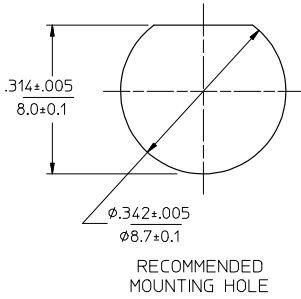
Stocking Distributor

Click to view price, real time Inventory, Delivery & Lifecycle Information:

[Molex Connector Corporation](#)
[1061260510](#)

For any questions, you can email us directly:
sales@integrated-circuit.com

10 9 8 7 6 5 4 3 2 106152



NOTES:

1. FOR THE USE OF WASHERS ACCORDING TO THE PANEL THICKNESS SEE FOLLOWING TABLE:

PANEL THICKNESS	USE WASHER
.047 TO .060 1.2 TO 1.5	BOTH WASHERS
.061 TO .085 1.55 TO 2.15	FLAT WASHER
.086 TO .102 2.2 TO 2.6	LOCK WASHER

2. DUST CAPS ARE NOT SHOWN, BUT INCLUDED.

ENTER DESCRIPTION EC NO: MF2008-0512 DRAWN: IGUMIN 2008/05/20 CHKD: 2008/05/20 APPR: IGUMIN 2008/05/21 REV: A	QUALITY SYMBOLS ▽=0 ▽=0	GENERAL TOLERANCES (UNLESS SPECIFIED)		DIMENSION STYLE IN/MM	SCALE 5:1	DESIGN UNITS INCH	THIRD ANGLE PROJECTION		
		4 PLACES ± --- ± --- 3 PLACES ± --- ± --- 2 PLACES ± --- ± --- 1 PLACE ± --- ± ---	mm INCH	DRAWN BY IGUMIN	DATE 2008/05/20	TITLE FC ADAPTER (D-HOLE)			
		ANGULAR ±1/2°		CHECKED BY	DATE	APPROVED BY IGUMIN			
		DRAFT WHERE APPLICABLE MUST REMAIN WITHIN DIMENSIONS		MATERIAL NO. 1061521200	DATE 2008/05/20	MOLEX INCORPORATED		DOCUMENT NO. SD-106152-1200	SHEET NO. 1 OF 01

9 8 7 6 5 4 3 2 1