

Excellent Integrated System Limited

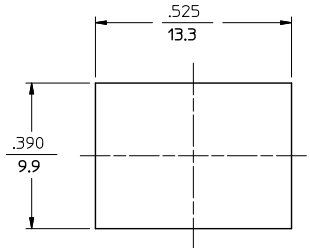
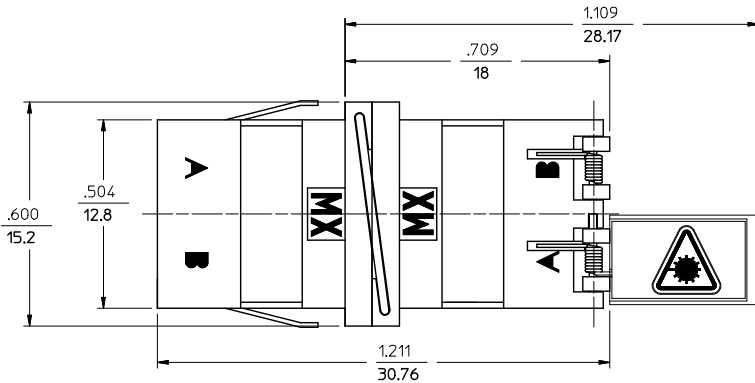
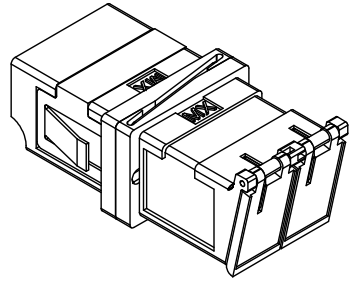
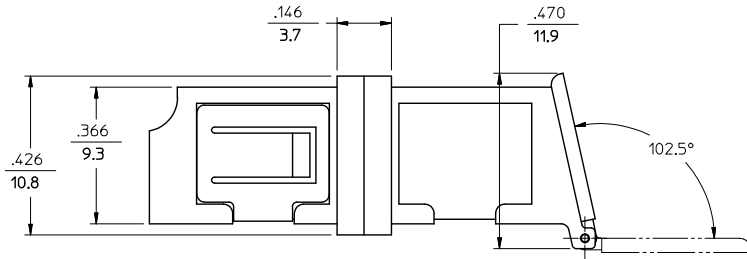
Stocking Distributor

Click to view price, real time Inventory, Delivery & Lifecycle Information:

[Molex Connector Corporation](#)
[1061270690](#)

For any questions, you can email us directly:
sales@integrated-circuit.com

10	9
LC ADAPTER ASSY. P/N	LC SLEEVE MATERIAL
106127-0690	Ph. BRONZE
106127-1690	ZR



RECOMMENDED MOUNTING PATTERN
FOR $\frac{.063}{1.6}$ THICK PANEL

- NOTES:
1. ALL DIMENSIONS ARE FOR REFERENCE ONLY.
 2. ASSEMBLE MOUNTING PLATE AND LABELS AS SHOWN.
 3. DUST CAP NOT SHOWN.
 4. ADAPTERS TO BE PACKED IN TRAYS.

ENTER DESCRIPTION E.C. NO: ME2009-0618 DRAWN BY: DRWNSM/GO 2009/06/08 CHKD BY: CHKDBANDREI 2009/06/08 APPR BY: BANDREI 2009/06/09	QUALITY SYMBOLS ▽=0 ▽=0	GENERAL TOLERANCES (UNLESS SPECIFIED)		DIMENSION STYLE IN/MM	SCALE INCH	DESIGN UNITS INCH	THIRD ANGLE PROJECTION	
		4 PLACES ± --- ± --- 3 PLACES ± --- ± --- 2 PLACES ± --- ± --- 1 PLACE ± --- ± ---	mm INCH ± .005 ± .0005 ± .005 ± .0005 ± .005 ± .0005 ± .005 ± .0005	DRAWN BY: PGIBLIN DATE: 2005/10/05 CHECKED BY: DATE:	TITLE: LC DUPLEX ADAPTER, METAL			
		ANGULAR ±1/2°		APPROVED BY: DATE:	MOLEX INCORPORATED			
		DRAFT WHERE APPLICABLE MUST REMAIN WITHIN DIMENSIONS		MATERIAL NO. SEE TABLE SIZE B	DOCUMENT NO. SD-106127-X690	SHEET NO. 1 OF 1		THIS DRAWING CONTAINS INFORMATION THAT IS PROPRIETARY TO MOLEX INCORPORATED AND SHOULD NOT BE USED WITHOUT WRITTEN PERMISSION