

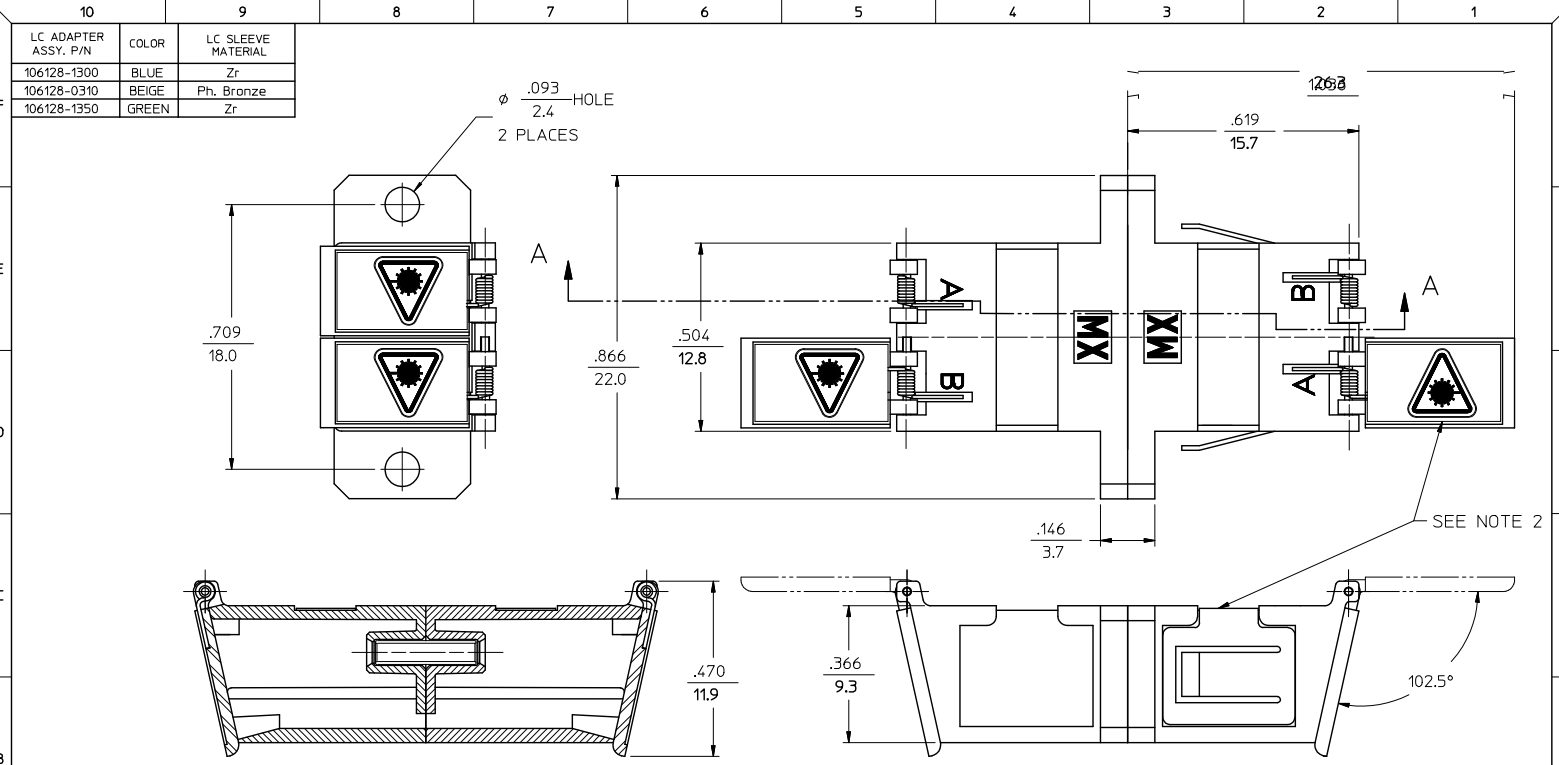
Excellent Integrated System Limited

Stocking Distributor

Click to view price, real time Inventory, Delivery & Lifecycle Information:

[Molex Connector Corporation](#)
[1061280310](#)

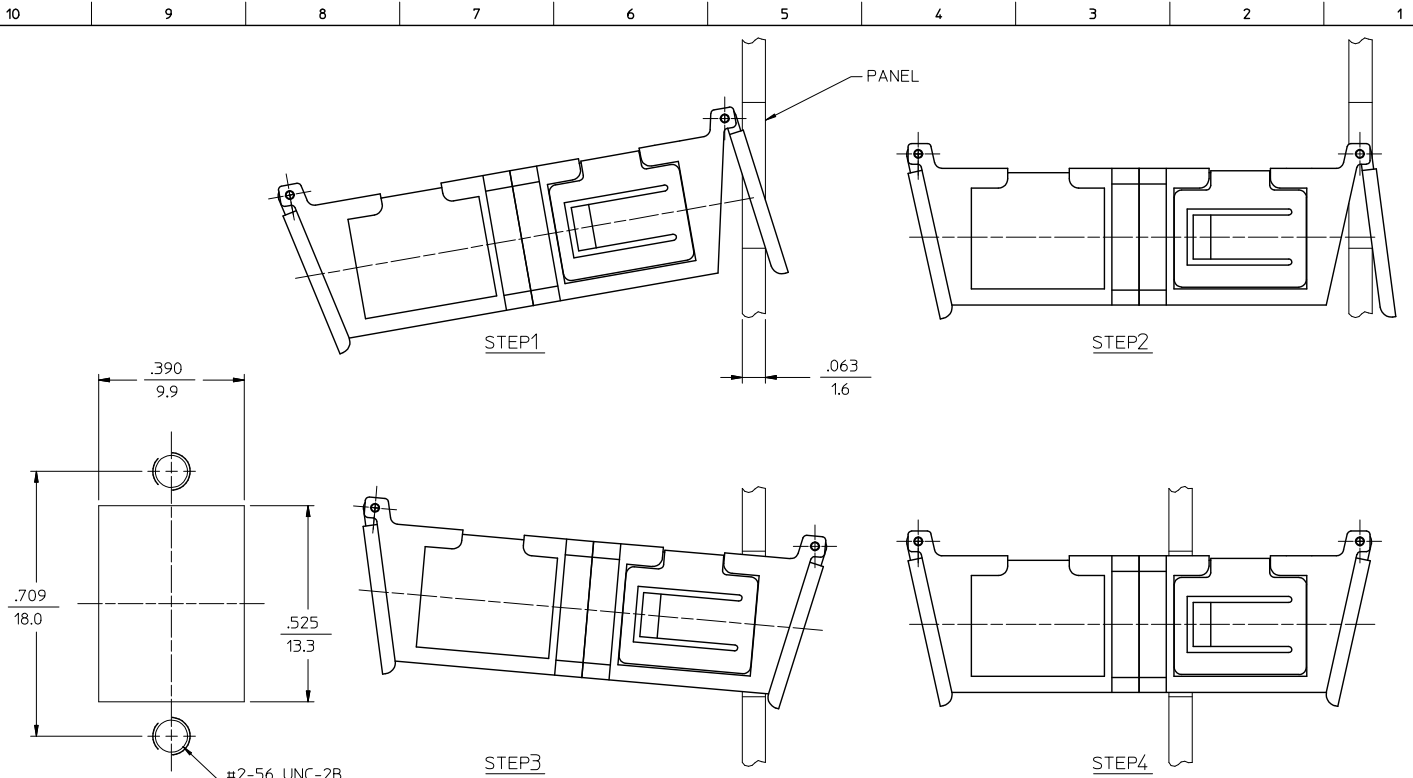
For any questions, you can email us directly:
sales@integrated-circuit.com



LC ADAPTER ASSY. P/N	COLOR	LC SLEEVE MATERIAL
106128-1300	BLUE	Zr
106128-0310	BEIGE	Ph. Bronze
106128-1350	GREEN	Zr

NOTES:
1. ALL DIMENSIONS ARE FOR REFERENCE ONLY.
2. MOUNTING PLATE AND LABELS ARE NOT ASSEMBLED. THEY ARE PACKAGED WITH ADAPTER INTO POLY BAG.

ENTER DESCRIPTION LC NO: ME2005-0243 DRAWN/REV: ZNER 2008/12/04 CHKD: LUMIN 2008/12/04 APPR: LUMIN 2008/12/05 REV: A1	QUALITY SYMBOLS ▽=0 ▽=0 ▽=0	GENERAL TOLERANCES (UNLESS SPECIFIED)		DIMENSION STYLE IN/MM		SCALE 1:1	DESIGN UNITS INCH	THIRD ANGLE PROJECTION	
		4 PLACES	± .---	± .---	DRAWN BY	DATE	TITLE LC DX. ADAP. 2 SIDES W/ SHUT. (ST. FL./SC FT.)		
		3 PLACES	± .---	± .---	PGIBLIN	2005/10/05			
		2 PLACES	± .---	± .---	CHECKED BY	DATE	MATERIAL NO. SEE TABLE		
1 PLACE	± .---	± .---	APPROVED BY DATE		DOCUMENT NO. SD-106128-X3X0				
ANGULAR ±1/2°		DRAFT WHERE APPLICABLE MUST REMAIN WITHIN DIMENSIONS		THIS DRAWING CONTAINS INFORMATION THAT IS PROPRIETARY TO MOLEX INCORPORATED AND SHOULD NOT BE USED WITHOUT WRITTEN PERMISSION		SHEET NO. 1 OF 02			



RECOMMENDED MOUNTING CUTOUT

FOR $\frac{.063}{1.6}$ THICK PANEL

ENTER DESCRIPTION E.C. NO: ME2005-0243 DRAWN/REVISED: 2008/12/04 CHKD: 2008/12/04 APPR: GUMIN 2008/12/05 REV A1	QUALITY SYMBOLS	GENERAL TOLERANCES (UNLESS SPECIFIED)		DIMENSION STYLE	SCALE	DESIGN UNITS	THIRD ANGLE PROJECTION
	▽=0 ▽=0	mm	INCH	IN/MM	1:1	INCH	
		4 PLACES ±	±	DATE	TITLE		
		3 PLACES ±	±	PGIBLIN 2005/10/05	LC DX. ADAP. 2 SIDES W/ SHUT. (ST. FL./SC FT.)		
	2 PLACES ±	±	CHECKED BY	APPROVED BY			MOLEX INCORPORATED MOLEX
	1 PLACE ±	±	DATE	DATE			
	ANGULAR ±1/2°	DRAFT WHERE APPLICABLE MUST REMAIN WITHIN DIMENSIONS		MATERIAL NO.	DOCUMENT NO.	SHEET NO.	
				SEE TABLE	SD-106128-X3X0	2 OF 02	
		THIS DRAWING CONTAINS INFORMATION THAT IS PROPRIETARY TO MOLEX INCORPORATED AND SHOULD NOT BE USED WITHOUT WRITTEN PERMISSION					