

## **Excellent Integrated System Limited**

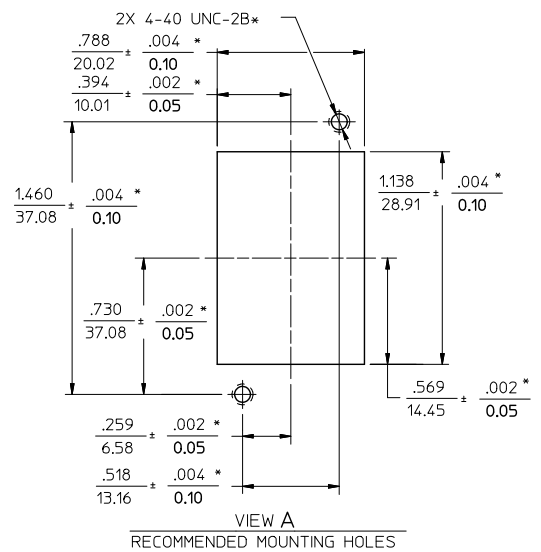
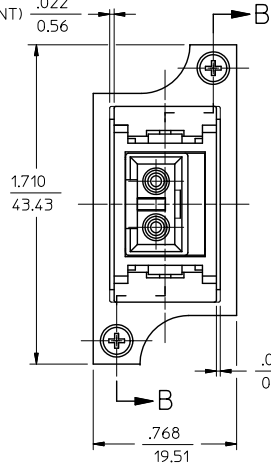
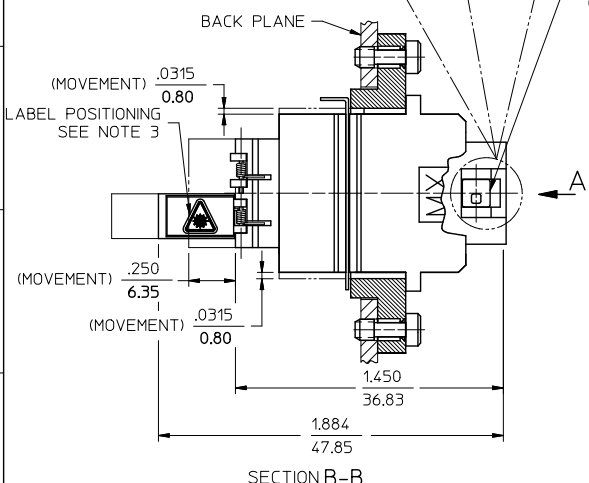
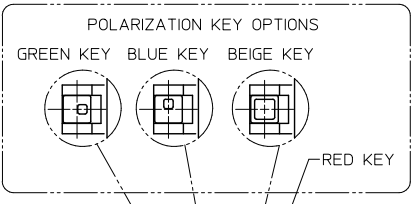
Stocking Distributor

Click to view price, real time Inventory, Delivery & Lifecycle Information:

[Molex Connector Corporation](#)  
[1061451100](#)

For any questions, you can email us directly:  
[sales@integrated-circuit.com](mailto:sales@integrated-circuit.com)

|                 |                       |       |   |   |   |   |   |   |        |
|-----------------|-----------------------|-------|---|---|---|---|---|---|--------|
| 10              | 9                     | 8     | 7 | 6 | 5 | 4 | 3 | 2 | 106145 |
| BLC ADAPTER P/N | SPLIT SLEEVE MATERIAL | COLOR |   |   |   |   |   |   |        |
| 106145-0100     | Ph. Bronze            | BLACK |   |   |   |   |   |   |        |
| 106145-1100     | Zr                    | BLACK |   |   |   |   |   |   |        |
| 106145-1500     |                       | GREEN |   |   |   |   |   |   |        |



- NOTES:
1. ALL DIM. ARE FOR REFERENCE ONLY, EXCEPT WHEN MARKED WITH (\*).
  2. POLARIZATION KEYS AND LABELS ARE PACKED UNASSEMBLED WITH ADAPTER ASSEMBLY IN POLY BAG.
  3. ADHESIVE LABELS TO BE POSITIONED ON LC DOORS BY USER. THE ORIENTATION OF THE LABELS SHOULD BE SUCH THAT THE LASER WARNING SYMBOL IS EASILY IDENTIFIED.

|  |                               |   |                     |                           |  |                      |                        |                                |
|--|-------------------------------|---|---------------------|---------------------------|--|----------------------|------------------------|--------------------------------|
| ENTER DESCRIPTION<br>EC NO: ME2011-0528<br>DRAWN/REV: ZNER 2011/06/02<br>CHKD: GUMIN<br>APPR: GUMIN 2011/06/03 | QUALITY SYMBOLS<br>▽=0<br>▽=0 | GENERAL TOLERANCES (UNLESS SPECIFIED)   |                     | DIMENSION STYLE<br>IN/MM  | SCALE<br>2:1                               | DESIGN UNITS<br>INCH | THIRD ANGLE PROJECTION |                                |
|  |                               | 4 PLACES ± --- ± ---<br>3 PLACES ± --- ± ---<br>2 PLACES ± --- ± ---<br>1 PLACE ± --- ± ---<br>ANGULAR ±1/2°                  | DRAWN BY<br>PGIBLIN | DATE<br>2005/10/21        | TITLE<br>BLC ADAPTER ASSEMBLY (2 POSITION) |                      |                        |                                |
| DRAFT WHERE APPLICABLE MUST REMAIN WITHIN DIMENSIONS   |                               | APPROVED BY<br>DATE   |                     | MATERIAL NO.<br>SEE TABLE |  |                      |                        | DOCUMENT NO.<br>SD-106145-XX00 |
| SIZE<br>B  |                               | THIS DRAWING CONTAINS INFORMATION THAT IS PROPRIETARY TO MOLEX INCORPORATED AND SHOULD NOT BE USED WITHOUT WRITTEN PERMISSION |                     |                           |  |                      |                        | SHEET NO.<br>1 OF 1            |