

Excellent Integrated System Limited

Stocking Distributor

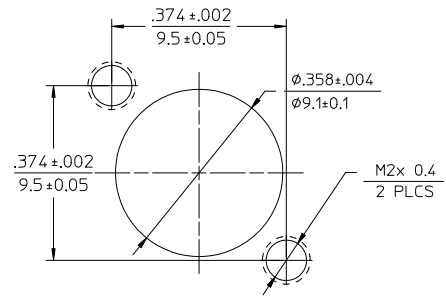
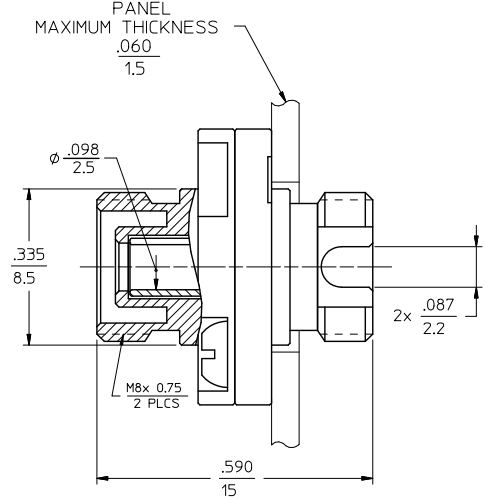
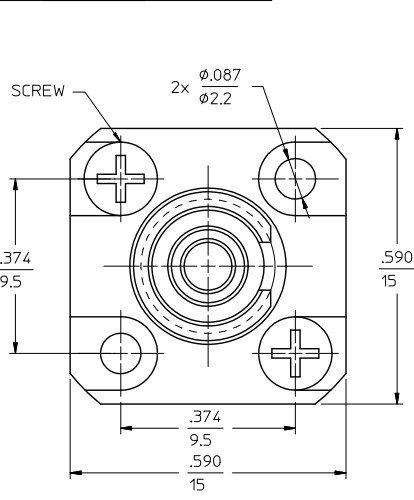
Click to view price, real time Inventory, Delivery & Lifecycle Information:

[Molex Connector Corporation](#)
[1061520200](#)

For any questions, you can email us directly:

sales@integrated-circuit.com

ADAPTER P/N	MATERIAL OF SLEEVE
106152-0200	ZR
106156-0200	PHOSPHOR BRONZE
106152-0220*	ZR



RECOMMENDED MOUNTING HOLES

- NOTES:
- ALL DIMENSIONS ARE GIVEN IN $\frac{\text{INCHES}}{\text{mm}}$.
 - DUST CAPS ARE NOT SHOWN.
 - *3. P/N 106152-0220 IS BULK PACKED IN QUANTITIES OF 100pcs.

ENTER DESCRIPTION E.C. NO: MF2012-0450 DRAWN/REVISED: 2012/03/20 CHKD: [blank] APPR: [blank]	QUALITY SYMBOLS ▽=0 ▽=0	GENERAL TOLERANCES (UNLESS SPECIFIED)		DIMENSION STYLE		SCALE	DESIGN UNITS	THIRD ANGLE PROJECTION		
				IN/MM		5:1	INCH			
		4 PLACES	±	---	±	---	DRAWN BY: KP		DATE: 2007/02/09	
		3 PLACES	±	---	±	---	CHECKED BY:		DATE:	
2 PLACES	±	---	±	---	APPROVED BY:		DATE: 2007/02/09			
1 PLACE	±	---	±	---	MATERIAL NO. SEE TABLE		DOCUMENT NO. SD-106152-0200			
0 PLACE	±	---	±	---	ANGULAR ±1/2°		SHEET NO. 1 OF 1			
		DRAFT WHERE APPLICABLE MUST REMAIN WITHIN DIMENSIONS		SIZE B		THIS DRAWING CONTAINS INFORMATION THAT IS PROPRIETARY TO MOLEX INCORPORATED AND SHOULD NOT BE USED WITHOUT WRITTEN PERMISSION				