

Excellent Integrated System Limited

Stocking Distributor

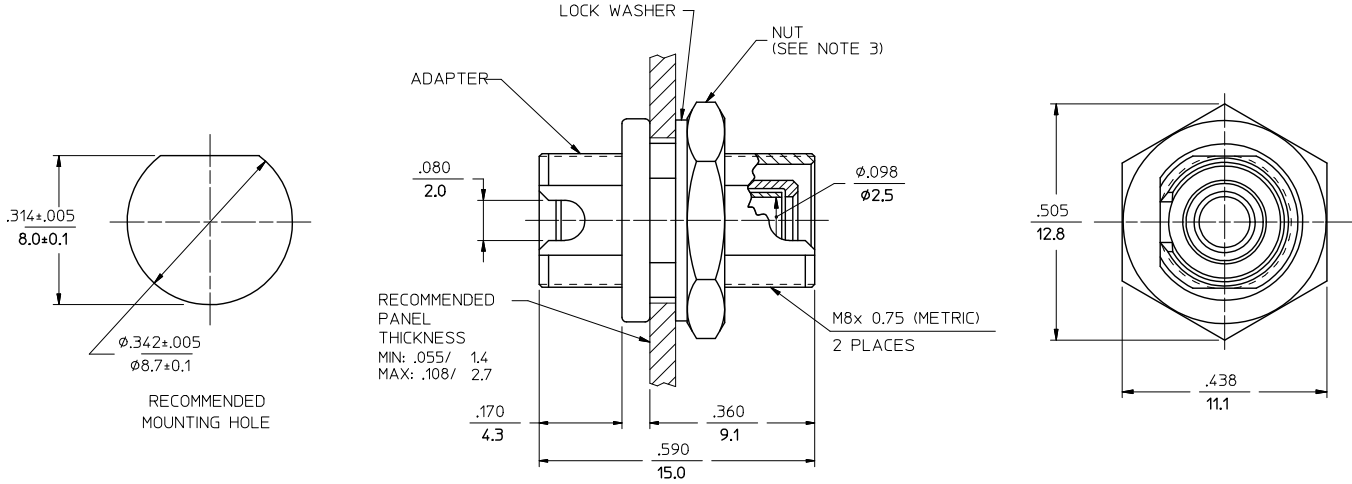
Click to view price, real time Inventory, Delivery & Lifecycle Information:

[Molex Connector Corporation](#)
[1061563000](#)

For any questions, you can email us directly:
sales@integrated-circuit.com

10 9 8 7 6 5 4 3 2 106152

P/N OF ADAPTER	MATERIAL OF SLEEVE
106152-3000	CERAMIC
106156-3000	PHOSPHOR BRONZE



- NOTES:
- FOR PANEL THICKNESS .080 TO .108, ELIMINATE LOCK WASHER.
 - DUST CAPS ARE NOT SHOWN, BUT INCLUDED.
 - TIGHTEN THE NUT TO 23 N-cm (2 lb-in)

ENTER DESCRIPTION E.C. NO: ME2013-0054 DRAWN/REVISED: 2012/07/24 CHKD: APPROVED: 2012/07/24 A J	QUALITY SYMBOLS	GENERAL TOLERANCES (UNLESS SPECIFIED) mm INCH 4 PLACES ± --- ± --- 3 PLACES ± --- ± --- 2 PLACES ± --- ± --- 1 PLACE ± --- ± --- 0 PLACE ± --- ± --- ANGULAR ±1/2° DRAFT WHERE APPLICABLE MUST REMAIN WITHIN DIMENSIONS	DIMENSION STYLE	SCALE	DESIGN UNITS	THIRD ANGLE PROJECTION	
			IN/MM	5:1	INCH		
			DRAWN BY	DATE	TITLE		
			PGIBLIN	2005/10/25	FC ADAPTER ('D' HOLE, TIGHT FIT KEY)		
	APPROVED BY	DATE	MATERIAL NO.		DOCUMENT NO.	SHEET NO.	
			SEE TABLE		SD-10615X-3000	1 OF 1	
			THIS DRAWING CONTAINS INFORMATION THAT IS PROPRIETARY TO MOLEX INCORPORATED AND SHOULD NOT BE USED WITHOUT WRITTEN PERMISSION				

1b_Frame_B_P_ME_T Rev E1 2012/01/25 9 8 7 6 5 4 3 2 1