

Excellent Integrated System Limited

Stocking Distributor

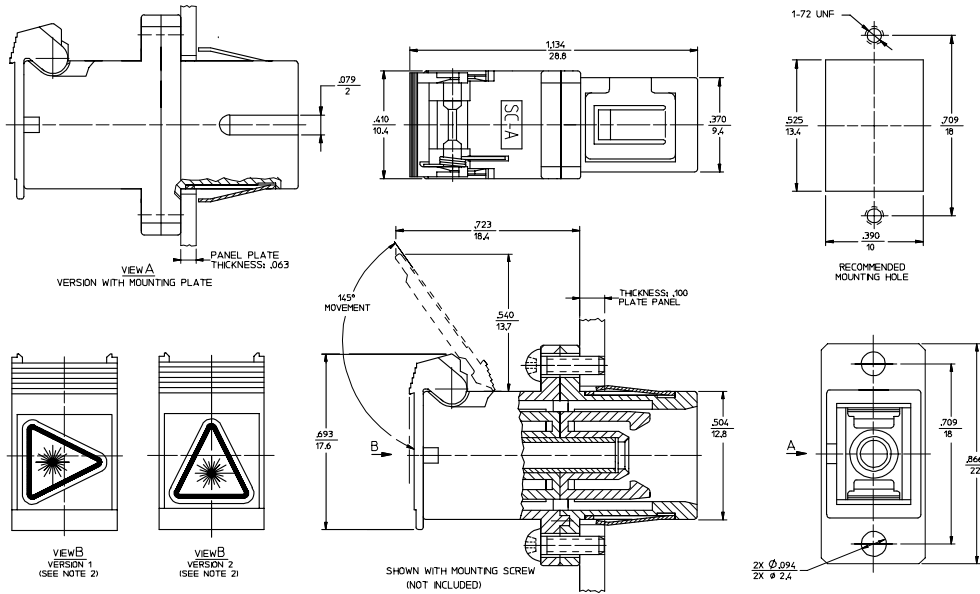
Click to view price, real time Inventory, Delivery & Lifecycle Information:

[Molex Connector Corporation](#)
[1061600500](#)

For any questions, you can email us directly:

sales@integrated-circuit.com

ADAPTER P/N	SPLIT SLEEVE MATERIAL	COLOR OF ADAPTER & SHIELD
106160-0500	PHOSPHOR BRONZE	BLUE
106160-3500	PHOSPHOR BRONZE	GREEN
106161-0500	ZR	BLUE
106161-3500	ZR	GREEN



NOTES:
 1. LABEL MUST BE INSTALLED AND ORIENTED BY CUSTOMER.
 2. DUST CAPS ARE NOT SHOWN BUT INCLUDED.

ENTER DESCRIPTION ILC NO: MF-2006-0237 DRAWING BLN CHKD: APPR: IGM/IN DATE: 2005/11/29 DATE: 2005/11/29	QUALITY SYMBOLS ▽=0 ▽=0	GENERAL TOLERANCES (UNLESS SPECIFIED)		DIMENSION STYLE IN/MM	SCALE 4:1	DESIGN UNITS INCH	THIRD ANGLE PROJECTION		
		4 PLACES ± .005 ± .005 3 PLACES ± .005 ± .005 2 PLACES ± .005 ± .005 1 PLACE ± .005 ± .005	DRAWN BY RPACIFIC1	DATE 2005/10/13	TITLE SC ADAPTER STANDARD FOOTPRINT WITH SHUTTER				
		ANGULAR ±1/2°	APPROVED BY DATE	MOLEX INCORPORATED					
		DRAFT WHERE APPLICABLE MUST REMAIN WITHIN DIMENSIONS	MATERIAL NO. SEE TABLE	DOCUMENT NO. SD-10616X-X500	SHEET NO. 1 OF 01				