

## Excellent Integrated System Limited

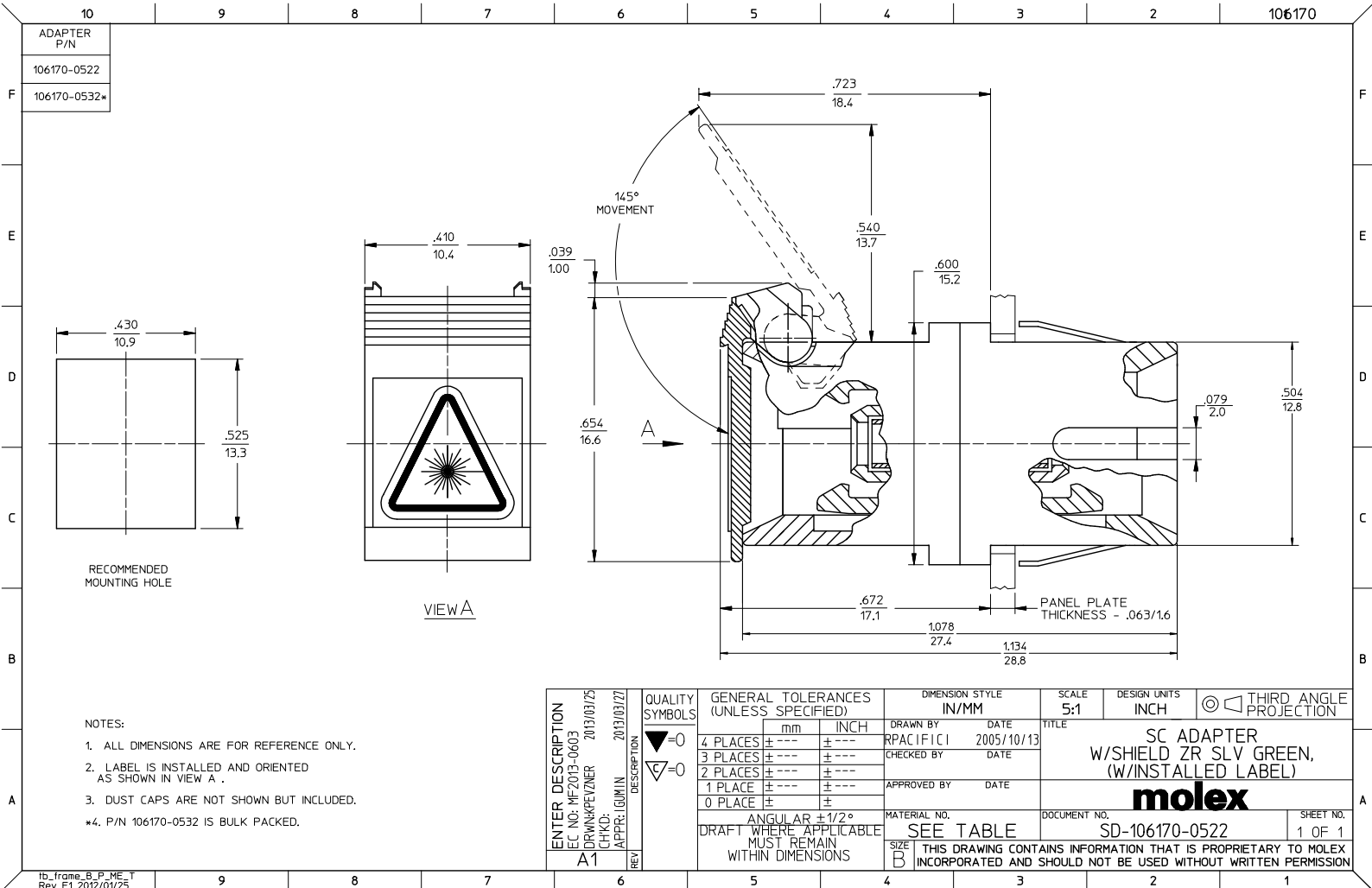
Stocking Distributor

Click to view price, real time Inventory, Delivery & Lifecycle Information:

[Molex Connector Corporation](#)  
[1061700522](#)

For any questions, you can email us directly:

[sales@integrated-circuit.com](mailto:sales@integrated-circuit.com)



- NOTES:
1. ALL DIMENSIONS ARE FOR REFERENCE ONLY.
  2. LABEL IS INSTALLED AND ORIENTED AS SHOWN IN VIEW A.
  3. DUST CAPS ARE NOT SHOWN BUT INCLUDED.
  - \*4. P/N 106170-0532 IS BULK PACKED.

ENTER DESCRIPTION E.C. NO: ME2013-0603 DRAWN/REVISED: 2013/03/25 CHKD: [blank] APPR: [blank]	QUALITY SYMBOLS ▽=0 ▽=0	GENERAL TOLERANCES (UNLESS SPECIFIED)		DIMENSION STYLE		SCALE	DESIGN UNITS	THIRD ANGLE PROJECTION	
		mm	INCH	IN/MM		5:1	INCH		
A1	DESCRIPTION	4 PLACES	±	---	---	DRAWN BY	DATE	TITLE SC ADAPTER W/SHIELD ZR SLV GREEN, (W/INSTALLED LABEL) <b>molex</b>	
		3 PLACES	±	---	---	RPACIFIC I	2005/10/13		
		2 PLACES	±	---	---	CHECKED BY	DATE	DOCUMENT NO. SD-106170-0522	
		1 PLACE	±	---	---	APPROVED BY	DATE		
		0 PLACE	±	---	---	MATERIAL NO.		SHEET NO. 1 OF 1	
		ANGULAR ±1/2°		DRAFT WHERE APPLICABLE		SEE TABLE			
		MUST REMAIN WITHIN DIMENSIONS							
		SIZE B THIS DRAWING CONTAINS INFORMATION THAT IS PROPRIETARY TO MOLEX INCORPORATED AND SHOULD NOT BE USED WITHOUT WRITTEN PERMISSION							