

Excellent Integrated System Limited

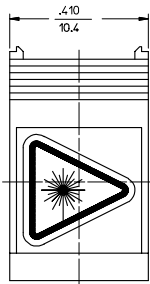
Stocking Distributor

Click to view price, real time Inventory, Delivery & Lifecycle Information:

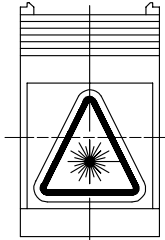
[Molex Connector Corporation](#)
[1061702430](#)

For any questions, you can email us directly:
sales@integrated-circuit.com

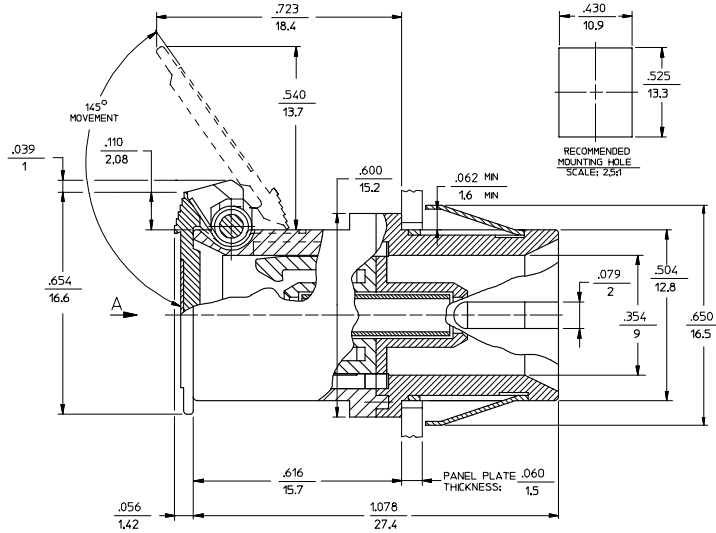
ADAPTER P/N	SPLIT SLEEVE MATERIAL	COLOR OF ADAPTER	DUST CAP COLOR
106170-2400	ZR	BLACK	GRAY
106170-2420		GREEN	
106170-2430		RED	
106171-2400	PHOSPHOR BRONZE	BLACK	GRAY
106171-2420		GREEN	
106171-2430		RED	
106192-1440		BLACK	



VIEW A
VERSION 1



VIEW A
VERSION 2



- NOTES:
1. ALL DIMENSIONS ARE GIVEN IN $\frac{\text{INCHES}}{\text{mm}}$
 2. LABEL MUST BE INSTALLED AND ORIENTED BY CUSTOMER, (SEE VIEW A)
 3. DUST CAP NOT SHOWN.

ENTER DESCRIPTION IEC NO: MF2007-0207 DRAWN/REV: ZNR CHKD: LGMIN APPR: LGMIN DATE: 2006/09/12 DATE: 2006/09/12	QUALITY SYMBOLS 	GENERAL TOLERANCES (UNLESS SPECIFIED)		DIMENSION STYLE IN/MM	SCALE 4:1	DESIGN UNITS INCH	THIRD ANGLE PROJECTION		
		4 PLACES ±--- ±---	3 PLACES ±--- ±---	2 PLACES ±--- ±---	1 PLACE ±--- ±---	DRAWN BY _____ DATE _____	TITLE BSC- 2 ADAPTER WITH SHUTTER		
		ANGULAR ±1/2°				CHECKED BY _____ DATE _____	APPROVED BY _____ DATE _____		
		DRAFT WHERE APPLICABLE MUST REMAIN WITHIN DIMENSIONS				MATERIAL NO. SEE TABLE	DOCUMENT NO. SD-10617Y-24Y0	MOLEX INCORPORATED SHEET NO. 1 OF 1	