

## Excellent Integrated System Limited

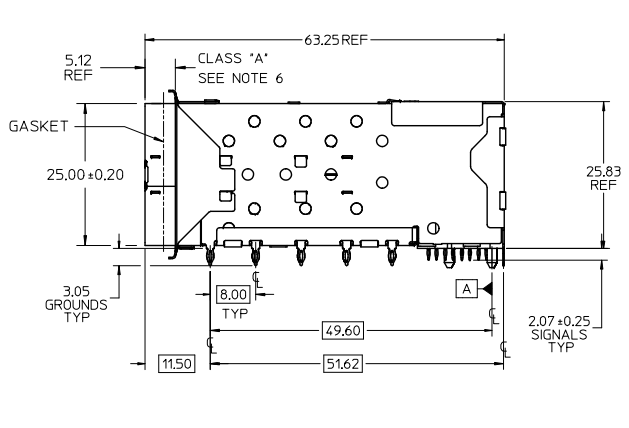
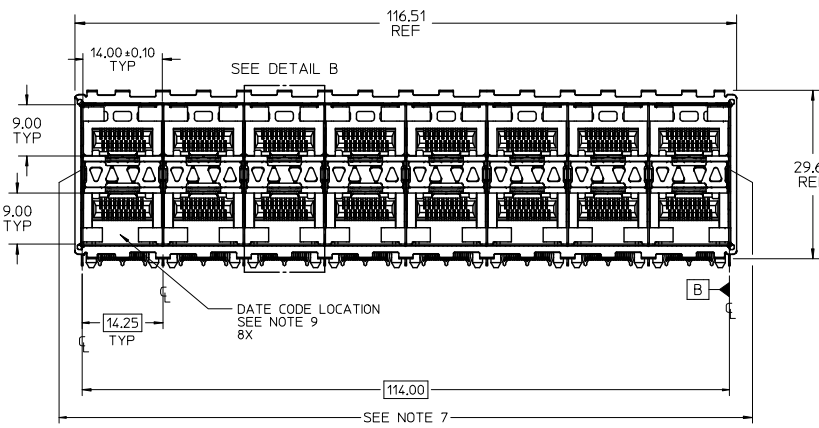
Stocking Distributor

Click to view price, real time Inventory, Delivery & Lifecycle Information:

[Molex Connector Corporation](#)  
[1700177001](#)

For any questions, you can email us directly:

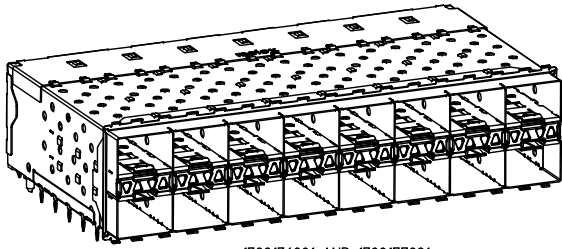
[sales@integrated-circuit.com](mailto:sales@integrated-circuit.com)



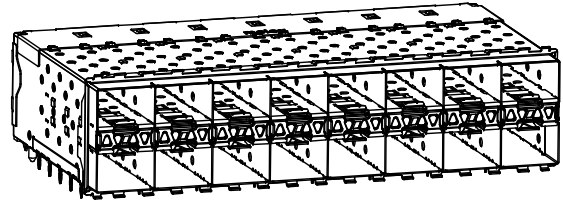
- NOTES
- MATERIAL:
    - CAGE: NICKEL SILVER, THICKNESS: 0.25mm
    - CONNECTOR HOUSING: GLASS FILLED LIQUID CRYSTAL POLYMER (LCP), UL 94V-0, COLOR: BLACK
    - OVERMOLD TERMINAL HOUSING: GLASS FILLED LIQUID CRYSTAL POLYMER (LCP), UL 94V-0, COLOR: BLACK
    - TERMINALS: TIN BRASS
    - EMI GASKET: CONDUCTIVE ELASTOMER
    - LIGHTPIPE HOUSING: ZINC
    - LIGHTPIPES: POLYCARBONATE, COLOR: CLEAR
  - FINISHES:
    - TERMINALS: CONTACT AREA: 0.76 MICROMETERS MINIMUM HARD GOLD OVER 1.27 MICROMETERS MINIMUM NICKEL.
    - COMPLIANT TAIL - MATTE TIN/LEAD OPTION: 0.76 TO 1.52 MICROMETERS 90/10 MATTE TIN-LEAD OVER 0.76 MICROMETERS MINIMUM NICKEL.
    - COMPLIANT TAIL - MATTE TIN OPTION: 0.76 TO 1.52 MICROMETERS MATTE TIN OVER 0.76 MICROMETERS MINIMUM NICKEL.
    - LIGHTPIPE HOUSING: 80 MICROMETERS MINIMUM NICKEL OVER COPPER
  - REFER TO PS-75310-001 PRODUCT SPEC FOR ALL ELECTRICAL, MECHANICAL AND ENVIRONMENTAL SPECIFICATIONS.
  - LIGHTPIPE PAD LAYOUT IS FOR 0805 LOW-PROFILE LED PACKAGE, FOR OTHER RECOMMENDED LAYOUTS REFER TO MOLEX'S REPORT TS-75310-001.
  - REFER TO PK-76352-001 FOR ALL PACKAGING SPECIFICATIONS.
  - THE SURFACES CONFORM TO THE MOLEX COSMETIC SPEC PS-45499-002. ALL EXTERIOR SURFACES TO BE CLASS 'B' SURFACE EXCEPT THE UNDERSIDE (CLASS 'C') OF THE CAGE (SIDE TOWARD THE PCB) AND AS OTHERWISE NOTED.
  - THE OVERALL CAGE WIDTH AT THE VERTICAL CENTER OF THE FRONT EDGE WILL FALL WITHIN THIS DIMENSION: 114.80±0.30 MM. THIS PORTION OF THE CAGE WILL FLEX INWARD AS THE CAGE IS BEING INSERTED INTO THE BEZEL OPENING.
  - REFER TO AS-76090-001 FOR HIGH SPEED ROUTING RECOMMENDATIONS.
  - DATE CODE LOCATION IS SHOWN ABOVE.
    - DATE CODE FORMAT: DDDY MX A1
    - DDD = DAY OF THE YEAR
    - Y = YEAR
    - MX = MOLEX
    - A = ALPHA CHARACTER - INDICATES MANUFACTURING LINE
    - 1 = NUMERIC CHARACTER - INDICATES PRODUCTION SHIFT

PART NUMBER	LIGHT PIPE CONFIGURATION SEE SHEET 2	COMPLIANT TAIL PLATING
1700176001	4 LIGHT PORTS	MATTE TIN / LEAD
1700176002	INNER 2 PORTS	MATTE TIN / LEAD
1700176003	OUTER 2 PORTS	MATTE TIN / LEAD
1700177001	4 LIGHT PORTS	MATTE TIN
1700177002	INNER 2 PORTS	MATTE TIN
1700177003	OUTER 2 PORTS	MATTE TIN
1700177004	4 LIGHT PORTS - SPECIAL CONFIGURATION	MATTE TIN

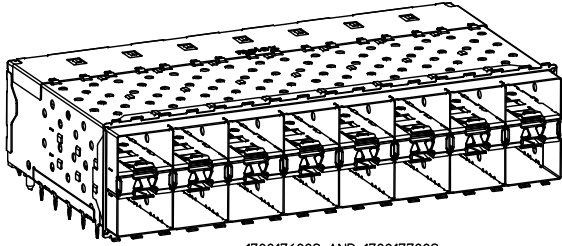
ADD - 7004 ASSEMBLY EC NO: UCP2015-0336 DRWNGBARBER 2014/10/08 CHKD: TIBARRA 2014/12/04 APPR: MILLER 2014/12/16 DESCRIPTION REV	QUALITY SYMBOLS ∇=0 ∇=0 ∇=0	GENERAL TOLERANCES (UNLESS SPECIFIED) mm INCH 4 PLACES ± --- ± --- 3 PLACES ± --- ± --- 2 PLACES ± 0.13 ± --- 1 PLACE ± 0.25 ± --- ANGULAR ± 1/2°	DIMENSION STYLE MM ONLY DRAWN BY JJANTELEZ10 DATE 2009/11/03 CHECKED BY JKACHLIC DATE 2009/11/03 APPROVED BY DATE	SCALE 2:1 DESIGN UNITS METRIC THIRD ANGLE PROJECTION	TITLE STACKED SFP+ 2X8 ASSY WITH ELASTOMERIC GASKET LIGHTPIPES- IMPROVED EMI MOLEX MOLEX INCORPORATED	MATERIAL NO. SEE TABLE	DOCUMENT NO. SD-170017-002	SHEET NO. 1 OF 5		
		DRAFT WHERE APPLICABLE MUST REMAIN WITHIN DIMENSIONS	SIZE C	THIS DRAWING CONTAINS INFORMATION THAT IS PROPRIETARY TO MOLEX INCORPORATED AND SHOULD NOT BE USED WITHOUT WRITTEN PERMISSION						
		ADDITIONAL INFORMATION:								



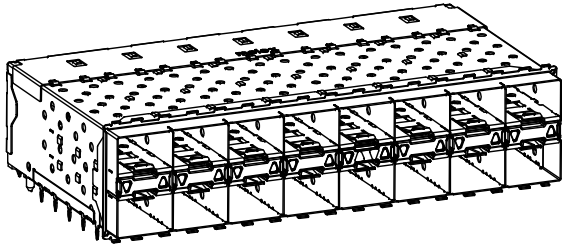
1700176001 AND 1700177001  
WITH INNER & OUTER LIGHTPIPE PORTS



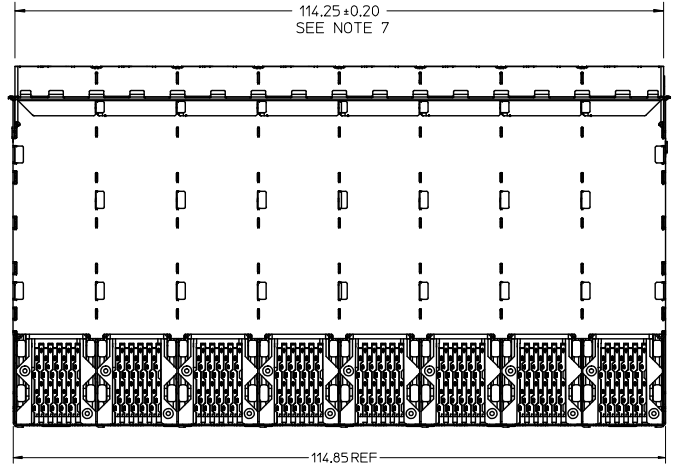
1700177004  
WITH INNER & OUTER LIGHTPIPE PORTS  
SPECIAL CONFIGURATION



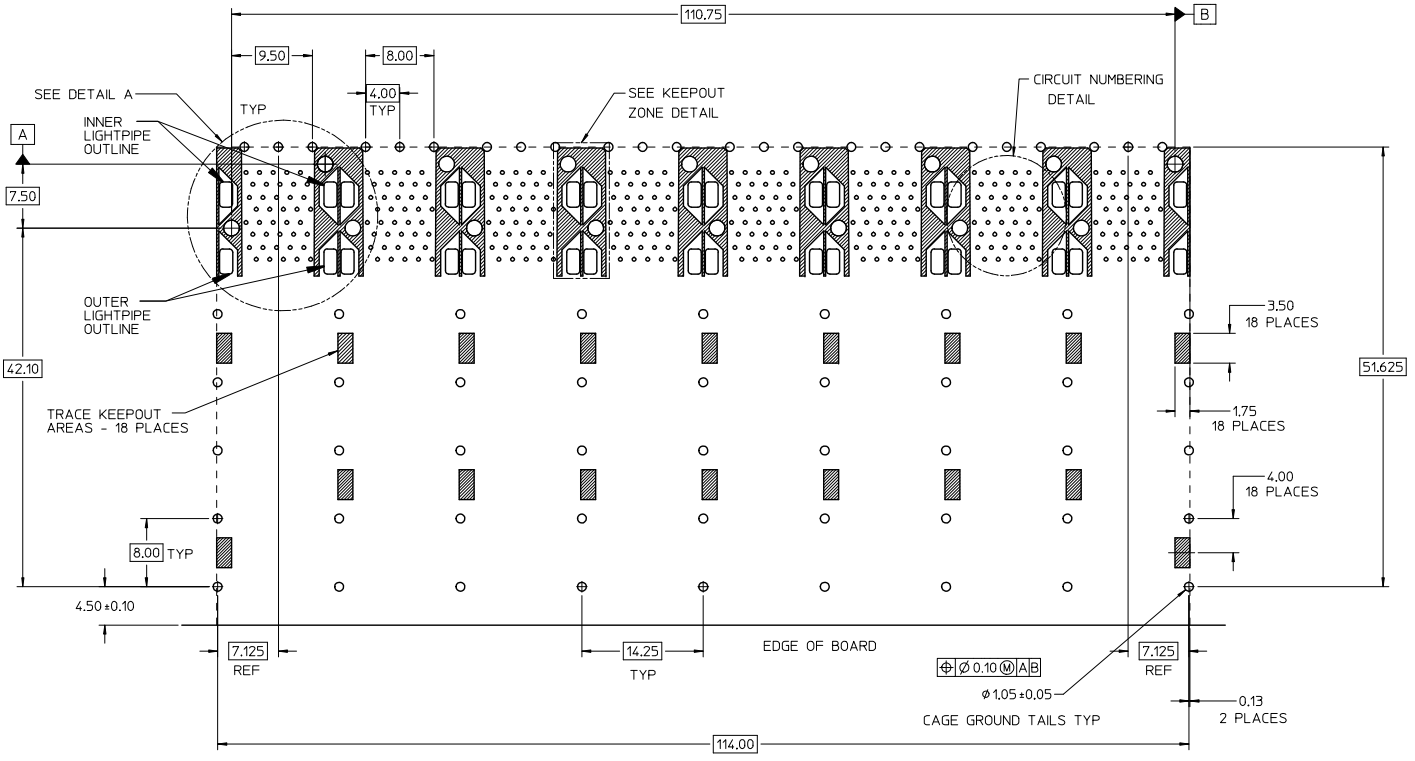
1700176002 AND 1700177002  
WITH INNER LIGHTPIPE PORTS



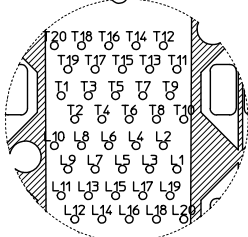
1700176003 AND 1700177003  
WITH OUTER LIGHTPIPE PORTS



SEE SHEET 1 EC NO: UCP2015-0336 DRAWN BY: DRWNSBARKER CHKD: TIBARRA APPR: SMILLER	2014/10/08 2014/12/04 2014/12/16	QUALITY SYMBOLS ∇=0 ∇=0 ∇=0	GENERAL TOLERANCES (UNLESS SPECIFIED)		DIMENSION STYLE MM ONLY		SCALE 2:1	DESIGN UNITS METRIC	THIRD ANGLE PROJECTION		
			4 PLACES	±	---	---	---	---	DRAWN BY JJANTELEZIO	DATE 2009/11/03	TITLE STACKED SFP+ 2X8 ASSY WITH ELASTOMERIC GASKET LIGHTPIPES- IMPROVED EMI MOLEX INCORPORATED
			3 PLACES	±	---	---	---	---	CHECKED BY JKACHLIC	DATE 2009/11/03	
			2 PLACES	±	0.13	±	---	---	APPROVED BY	DATE	
1 PLACE	±	0.25	±	---	---	MATERIAL NO. SEE TABLE	DOCUMENT NO. SD-170017-002	SHEET NO. 2 OF 5			
DRAFT WHERE APPLICABLE MUST REMAIN WITHIN DIMENSIONS			ANGULAR ±1/2°		THIS DRAWING CONTAINS INFORMATION THAT IS PROPRIETARY TO MOLEX INCORPORATED AND SHOULD NOT BE USED WITHOUT WRITTEN PERMISSION						

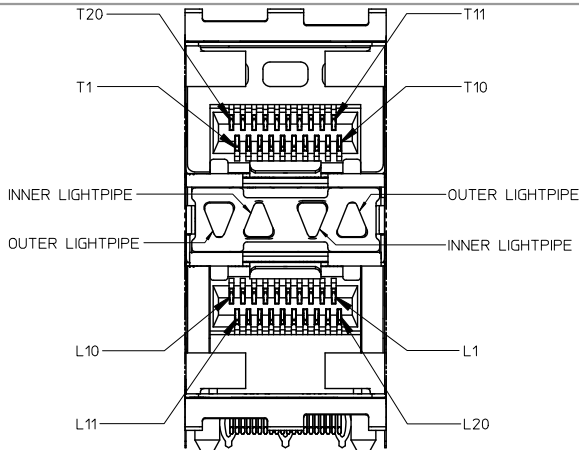


RECOMMENDED PCB LAYOUT - COMPONENT SIDE  
 RECOMMENDED PCB THICKNESS - 2.63 MM (.093 INCH)  
 THE ENTIRE AREA OF THE CONNECTOR FOOTPRINT  
 TO BE CONSIDERED THE KEEP OUT AREA FOR COMPONENTS  
 (OTHER THAN LIGHTPIPE LED'S)  
 THIS AREA IS INDICATED BY THE DASHED LINE

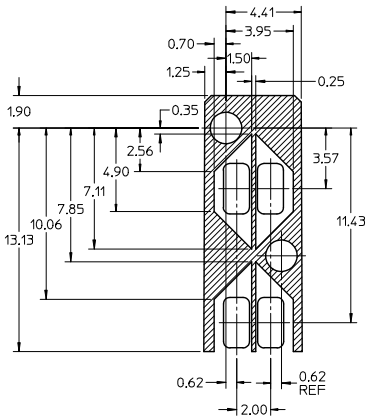


CIRCUIT NUMBERING  
 COMPONENT SIDE OF BOARD

<b>CHG DETAIL CALLOUT</b> EC NO: UCP2015-0336 DRAWN BY: 2014/10/08 CHKD: TIBARRA 2014/12/04 APPR: SMILLER 2014/12/16 REV:	<b>QUALITY SYMBOLS</b> ∇=0 ∇=0 ∇=0	<b>GENERAL TOLERANCES (UNLESS SPECIFIED)</b>		<b>DIMENSION STYLE</b> MM ONLY		SCALE 3:1	DESIGN UNITS METRIC	THIRD ANGLE PROJECTION
		4 PLACES ± --- ± ---	DRAWN BY JJANTELEZ10	DATE 2009/11/03	TITLE STACKED SFP+ 2X8 ASSY WITH ELASTOMERIC GASKET LIGHTPIPES- IMPROVED EMI			
		3 PLACES ± --- ± ---	CHECKED BY JKACHLIC	DATE 2009/11/03	MOLEX INCORPORATED			
		2 PLACES ± 0.13 ± --- 1 PLACE ± 0.25 ± --- ANGULAR ± 1/2°	APPROVED BY DATE	MATERIAL NO. SEE TABLE	DOCUMENT NO. SD-170017-002	SHEET NO. 3 OF 5		
DRAFT WHERE APPLICABLE MUST REMAIN WITHIN DIMENSIONS		THIS DRAWING CONTAINS INFORMATION THAT IS PROPRIETARY TO MOLEX INCORPORATED AND SHOULD NOT BE USED WITHOUT WRITTEN PERMISSION						

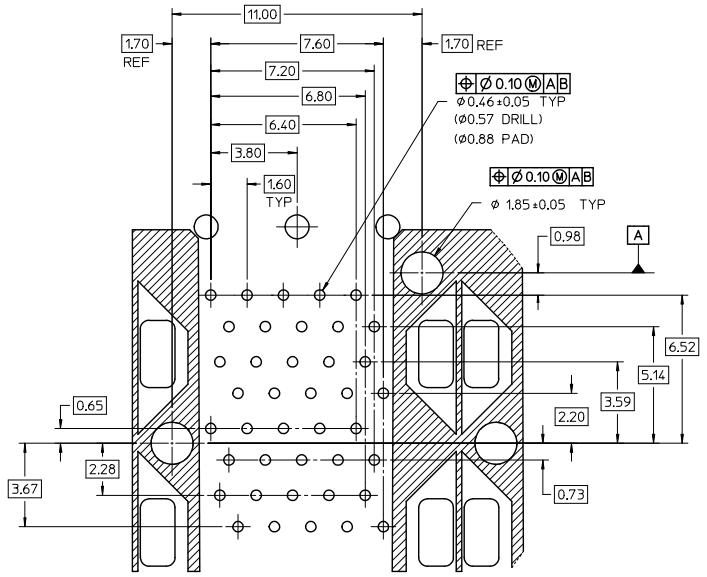


DETAIL B  
SCALE 5:1  
CIRCUIT NUMBERING  
AND LIGHTPIPE  
IDENTIFICATION



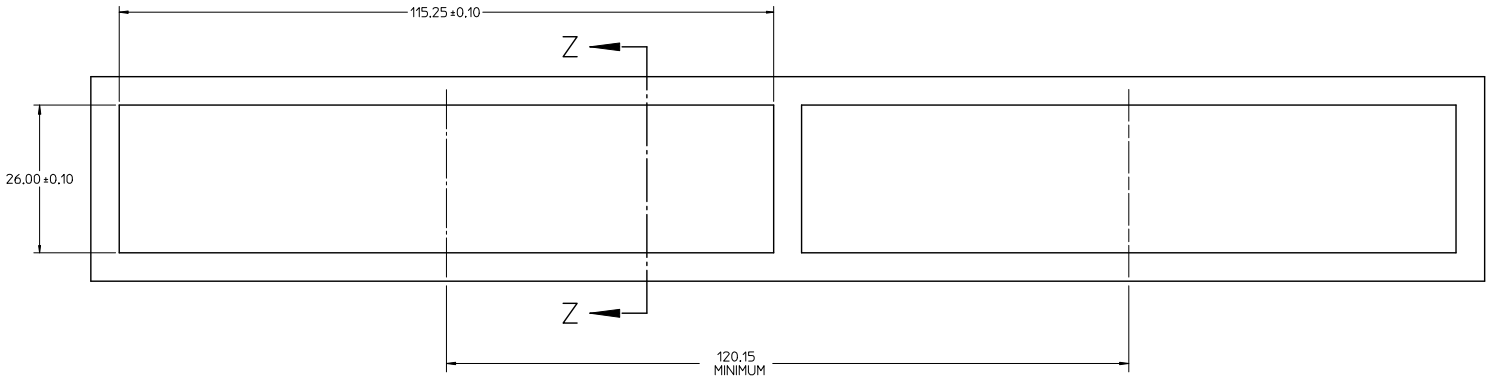
KEEPOUT ZONE DETAIL - LIGHTPIPE AND OTHER ZONES

THE HATCHED AREA IN THIS VIEW INDICATES ZONES THAT ARE OCCUPIED BY THE PLASTIC HOUSING THAT SEATS AGAINST THE PCB AND BY THE VERTICAL METAL CAGE WALL THAT STOPS JUST SHORT OF THE PCB

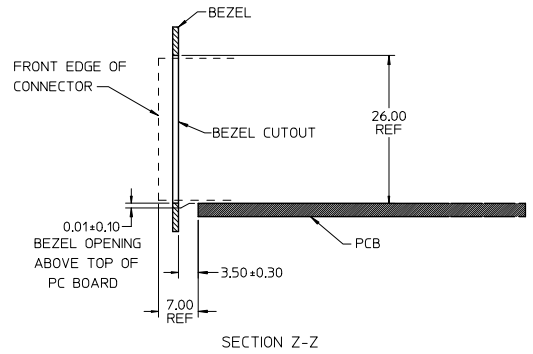


DETAIL A  
SCALE 8:1

<b>ADD DETAIL B</b> EC NO: UCP2015-0336 DRAWN BY: 2014/10/08 CHKD: TIBARRA 2014/12/04 APPR: SMILLER 2014/12/16 B	QUALITY SYMBOLS $\nabla = \varnothing$ $\nabla = \varnothing$ $\nabla = \varnothing$	GENERAL TOLERANCES (UNLESS SPECIFIED)		DIMENSION STYLE <b>MM ONLY</b>		SCALE 2:1	DESIGN UNITS METRIC	THIRD ANGLE PROJECTION
		4 PLACES $\pm$ --- $\pm$ --- 3 PLACES $\pm$ --- $\pm$ --- 2 PLACES $\pm 0.13$ $\pm$ --- 1 PLACE $\pm 0.25$ $\pm$ ---	mm INCH --- --- --- --- --- --- --- ---	DRAWN BY JJANTELEZ10	DATE 2009/11/03	TITLE STACKED SFP+ 2X8 ASSY WITH ELASTOMERIC GASKET LIGHTPIPES- IMPROVED EMI		
		ANGULAR $\pm 1/2^\circ$		CHECKED BY JKACHLIC	DATE 2009/11/03	MOLEX INCORPORATED		
		DRAFT WHERE APPLICABLE MUST REMAIN WITHIN DIMENSIONS		MATERIAL NO. SEE TABLE	APPROVED BY DATE	DOCUMENT NO. SD-170017-002	SHEET NO. 4 OF 5	



**BEZEL CUT-OUT DETAIL**  
RECOMMENDED BEZEL THICKNESS: 0.8MM - 2.6MM



ADD SECOND BEZEL CUTOUT EC NO: UCP2015-0336 DRAWN BY: 2014/10/08 CHKD: TIBARRA 2014/12/04 APPR: MILLER 2014/12/16 REV B	QUALITY SYMBOLS	GENERAL TOLERANCES (UNLESS SPECIFIED)	DIMENSION STYLE	SCALE	DESIGN UNITS	THIRD ANGLE PROJECTION
	▽=0	mm INCH	MM ONLY	2:1	METRIC	
	▽=0	4 PLACES ± --- ± ---	DRAWN BY DATE			
	▽=0	3 PLACES ± --- ± ---	JJANTELEZIO 2009/11/03			
	2 PLACES ± 0.13 ± ---	CHECKED BY DATE				STACKED SFP+ 2X8 ASSY WITH ELASTOMERIC GASKET LIGHTPIPES- IMPROVED EMI MOLEX INCORPORATED
	1 PLACE ± 0.25 ± ---	JKACHLIC 2009/11/03				
	ANGULAR ± 1/2°	APPROVED BY DATE				
	DRAFT WHERE APPLICABLE MUST REMAIN WITHIN DIMENSIONS	MATERIAL NO.	SEE TABLE	DOCUMENT NO.	SD-170017-002	SHEET NO. 5 OF 5
		SIZE	C	THIS DRAWING CONTAINS INFORMATION THAT IS PROPRIETARY TO MOLEX INCORPORATED AND SHOULD NOT BE USED WITHOUT WRITTEN PERMISSION		