



**Distributor of Molex Connector Corporation: Excellent Integrated System Limited**  
Datasheet of 5010444010 - Connector Receptacle 40 Position 0.016" (0.40mm) Gold Surface  
Mount, Right Angle

Contact us: [sales@integrated-circuit.com](mailto:sales@integrated-circuit.com) Website: [www.integrated-circuit.com](http://www.integrated-circuit.com)

---

## **Excellent Integrated System Limited**

Stocking Distributor

Click to view price, real time Inventory, Delivery & Lifecycle Information:

[Molex Connector Corporation](#)  
[5010444010](#)

For any questions, you can email us directly:

[sales@integrated-circuit.com](mailto:sales@integrated-circuit.com)

Contact us: [sales@integrated-circuit.com](mailto:sales@integrated-circuit.com) Website: [www.integrated-circuit.com](http://www.integrated-circuit.com)

10	9	8	7	6	5	4	3	2	1
F									F
E									E
D									D
C									C
B									B
A									A

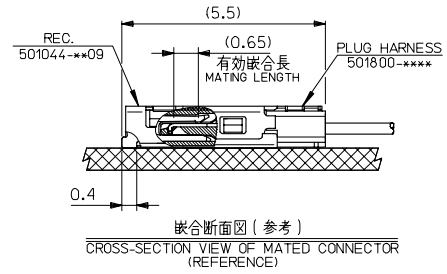
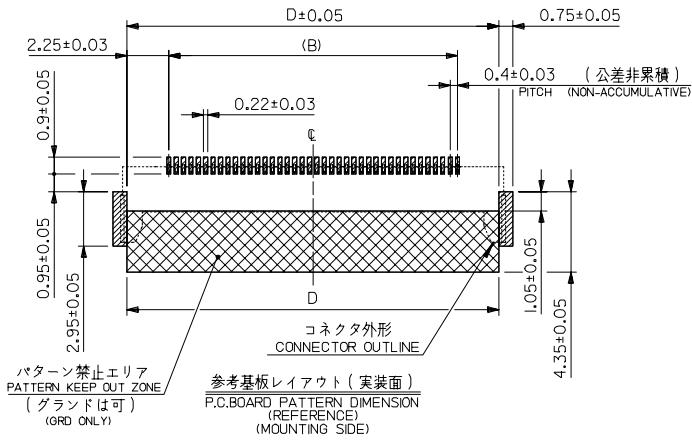
番号 NO.	部品 PART NAME	材料/仕上げ MATERIAL/ FINISH
①	ハウジング HOUSING	ガラス入り耐熱樹脂、黒色、UL94V-0 G.F.HEAT RESISTANT PLASTIC, BLACK, UL94V-0
②	ターミナル TERMINAL	銅合金 COPPER ALLOY 接点部 : 金メッキ0.24μm MIN. CONTACT AREA : GOLD 0.24μm MIN. テール部 : 金メッキ0.44μm MAX. TAIL AREA : GOLD 0.44μm MAX. 下地めっき : ニッケルメッキ1.04μm MIN. UNDER PLATING : NICKEL 1.54μm MIN.
③	シェル SHELL	ステンレス鋼 STAINLESS STEEL 半田付け処理 SOLDERABILITY IMPROVEMENT COAT (Au COAT) 下地めっき : ニッケルメッキ1.04μm MIN. UNDER PLATING : NICKEL 1.04μm MIN.

**注記**  
NOTES  
1. テール及びネールの平坦度は0.1MAX.  
TAIL AND NAIL COPLANARITY TO BE 0.1MAX.

24.1	24.6	19.6	24.8	501044-5009	50
20.1	20.6	15.6	20.8	501044-4009	40
16.1	16.6	11.6	16.8	501044-3009	30
製品番号 MATERIAL NO.					極数 CKT.
MODEL NO.					501044-***09

REVISED	EC NO. JZ2007-1019	2006/10/06	GENERAL TOLERANCES (UNLESS SPECIFIED)	DIMENSION STYLE MM ONLY	SCALE 5:1	DESIGN UNITS METRIC	THIRD ANGLE PROJECTION
DRAWN	DRWNG:YR/FUJI	2006/10/06	10 UNDER ±0.2	DRAWN BY DATE	TITLE 0.4 WIRE TO BOARD CONN. REC. HOUSING ASSEMBLY SIDE ENTRY -LEAD FREE-	MOLEX INCORPORATED	SHEET NO. 1 OF 2
CHECKED	CHKD:TKANEKO	2006/10/06	10 OVER 30 UNDER ±0.25	CHECKED BY DATE			
APPROVED	APPR:TKANEKO	2006/10/10	30 OVER ±0.3	APPROVED BY DATE			
REVISION	DESCRIPTION		ANGULAR ±3 °	MATERIAL NO.	DOCUMENT NO.		
G			DRAFT WHERE APPLICABLE MUST REMAIN WITHIN DIMENSIONS	SEE CHART	SD-501044-001		
				SIZE A3	THIS DRAWING CONTAINS INFORMATION THAT IS PROPRIETARY TO MOLEX INCORPORATED AND SHOULD NOT BE USED WITHOUT WRITTEN PERMISSION		

Contact us: [sales@integrated-circuit.com](mailto:sales@integrated-circuit.com) Website: [www.integrated-circuit.com](http://www.integrated-circuit.com)



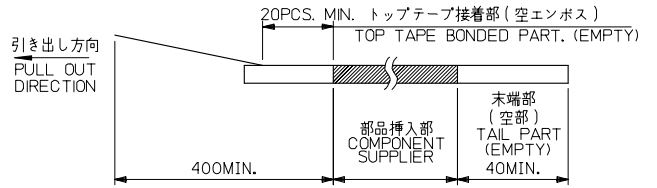
パターン禁止エリア  
PATTERN KEEP OUT ZONE  
(グラウンドは可)  
(GRD ONLY)

参考基板レイアウト (実装面)  
P.C. BOARD PATTERN DIMENSION  
(REFERENCE)  
(MOUNTING SIDE)

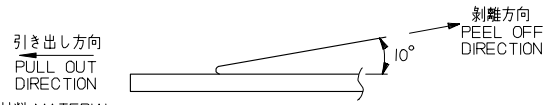
REVISED EC NO: J2007-1019 DRAWN BY: FUJI CHKD: KANEKO APPR: KANEKO 2006/10/06 2006/10/06 2006/10/10	GENERAL TOLERANCES (UNLESS SPECIFIED)		DIMENSION STYLE MM ONLY	SCALE 5:1	DESIGN UNITS METRIC	THIRD ANGLE PROJECTION
	10 UNDER	±0.2	DRAWN BY KTAKETOMI	DATE 2004/02/10	TITLE 0.4 WIRE TO BOARD CONN. REC. HOUSING ASSEMBLY SIDE ENTRY -LEAD FREE-	
	10 OVER 30 UNDER	±0.25	CHECKED BY TKANEKO	DATE 2004/02/10	MOLEX INCORPORATED	
	30 OVER	±0.3	APPROVED BY AHORINO	DATE 2004/02/10	MATERIAL NO. SEE 1 OF 2	DOCUMENT NO. SD-501044-001
	ANGULAR ±3 °		DRAFT WHERE APPLICABLE MUST REMAIN WITHIN DIMENSIONS			
SIZE A3 THIS DRAWING CONTAINS INFORMATION THAT IS PROPRIETARY TO MOLEX INCORPORATED AND SHOULD NOT BE USED WITHOUT WRITTEN PERMISSION						

注記 NOTES

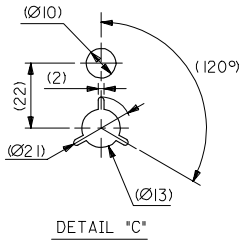
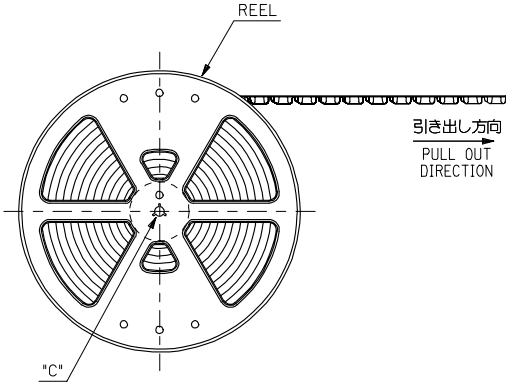
- 製品詳細寸法については図面 SD-501044-001 を参照下さい。  
RE DETAILED DIMENSION, SEE SD-501044-001
- 梱包数量: 3500 個/リール  
NUMBER OF CONNECTORS : 3500PCS/REEL
- リードテープ長さ LEAD TAPE LENGTH



- トップテープの剥離強度: 0.1N~0.7N(10.2gf~71.4gf)  
(剥離方向は下図参照)  
尚、本規格値は出荷時に適用。(但し、輸送時に剥離が発生しないこと。)  
PEELING OFF FORCE OF TOP TAPE : 0.1N~0.7N(10.2gf~71.4gf)  
(PEELING DIRECTION AS SHOWN IN FOLLOWING FIG.)  
THIS REQUIREMENT SHOULD BE APPLIED AT SHIPMENT.  
PEEL OFF SHOULD NOT BE ALLOWED, DURING TRANSPORTION.

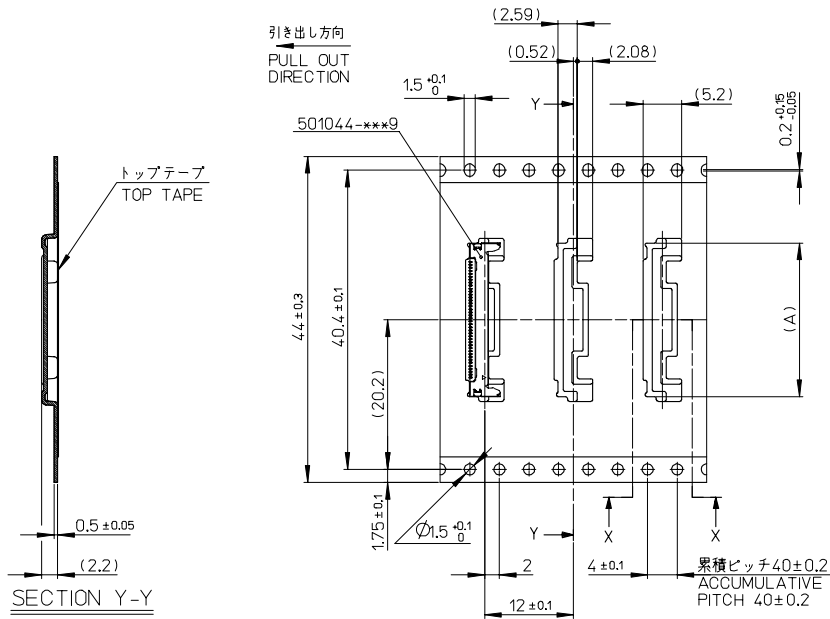


- 材料 MATERIAL  
キャリアテープ (CARRIER TAPE) : ポリプロピレン (POLYPROPYLENE)  
トップテープ (TOP TAPE) : PET, PE, PEF  
リール (REEL) : ポリスチレン (PS) <リサイクル材を含む>  
POLYSTYRENE (PS) <RECYCLE MATERIAL CONTAINED>



REVISED		EC NO: J2007-4508		2006/11/27		DRAWING BY FUJI		2006/11/27		CHKD: KANEKO		2006/11/27		APPR: KANEKO		2006/11/27		DESCRIPTION		GENERAL TOLERANCES (UNLESS SPECIFIED)		DIMENSION STYLE MM ONLY		SCALE 1:1		DESIGN UNITS METRIC		MODEL NO. 501044-***10	
10 UNDER		±0.2		10 OVER		30 UNDER		±0.25		30 OVER		±0.3		ANGULAR		±3 °		DRAFT WHERE APPLICABLE MUST REMAIN WITHIN DIMENSIONS		DRAWN BY KTAKETOMI		DATE 2004/12/10		TITLE 0.4 W/B CONN. REC. HSG ASSY SIDE ENTRY EMBOSSD TAPE PACKAGE		MATERIAL NO. SEE CHART		DOCUMENT NO. SD-501044-002	
A		A		A		A		A		A		A		A		A		A		MATERIAL NO. MOLEX INCORPORATED		DRAWN BY TKANEKO		DATE 2004/12/10		TITLE MOLEX INCORPORATED		SHEET NO. 1 OF 3	
A		A		A		A		A		A		A		A		A		A		A		A		A		A		A	

Contact us: [sales@integrated-circuit.com](mailto:sales@integrated-circuit.com) Website: [www.integrated-circuit.com](http://www.integrated-circuit.com)

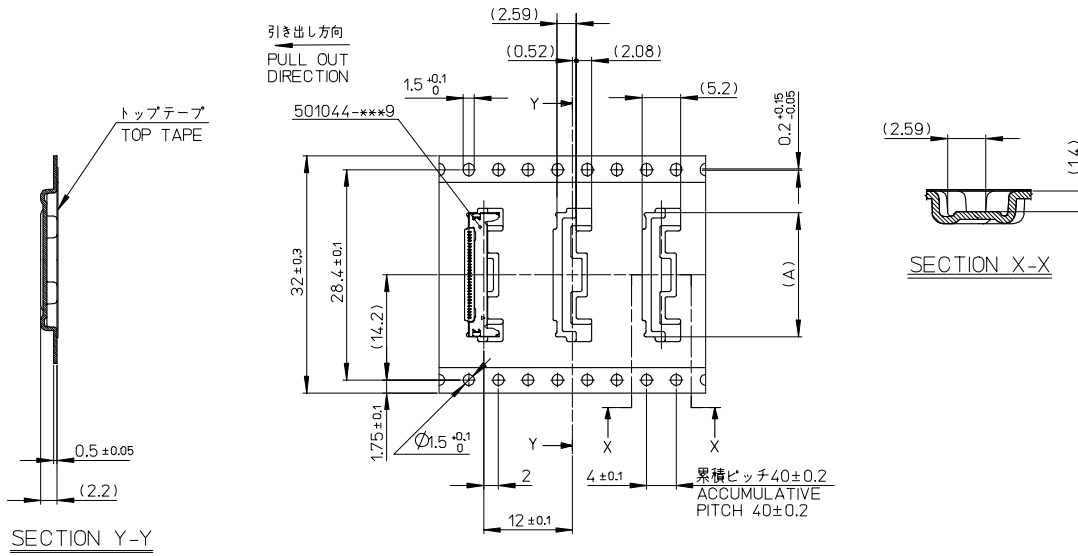


44mm幅キャリアテープ  
44mm WIDTH CARRIER TAPE

44	45.5	24.74	501044-5010	50
キャリアテープ幅 CARRIER TAPE WIDTH	B	(A)	製品番号 MATERIAL NO.	極数 CKT.
		MODEL NO. 501044-**10		

REVISED REC NO: J2007-1508 DRAWN: YORIFUJI 2006/11/27 CHKD: TKANEKO 2006/11/27 APPR: TKANEKO 2006/11/27	GENERAL TOLERANCES (UNLESS SPECIFIED)		DIMENSION STYLE MM ONLY	SCALE 1:1	DESIGN UNITS METRIC	THIRD ANGLE PROJECTION
	10 UNDER	±0.2	DRAWN BY KTAKETOMI	DATE 2004/12/10	TITLE 0.4 W/B CONN. REC. HSG ASSY SIDE ENTRY EMBOSSED TAPE PACKAGE	
	10 OVER 30 UNDER	±0.25	CHECKED BY TKANEKO	DATE 2004/12/10	MOLEX INCORPORATED	
	30 OVER	±0.3	APPROVED BY AHORINO	DATE 2004/12/10	DOCUMENT NO. SD-501044-002	
ANGULAR	±3°	MATERIAL NO.	SEE CHART	SHEET NO. 2 OF 3		
DRAFT WHERE APPLICABLE MUST REMAIN WITHIN DIMENSIONS		THIS DRAWING CONTAINS INFORMATION THAT IS PROPRIETARY TO MOLEX INCORPORATED AND SHOULD NOT BE USED WITHOUT WRITTEN PERMISSION				

Contact us: [sales@integrated-circuit.com](mailto:sales@integrated-circuit.com) Website: [www.integrated-circuit.com](http://www.integrated-circuit.com)



32mm幅キャリアテープ  
32mm WIDTH CARRIER TAPE

32	33.5	16.74	501044-3010	30
キャリアテープ幅 CARRIER TAPE WIDTH	B	(A)	製品番号 MATERIAL NO.	極数 CKT.
			MODEL NO.	501044-**10

REVISED REC NO: J2007-1508 DRAWN: YORIFUJI 2006/11/27 CHKD: KANEKO 2006/11/27 APPR: KANEKO 2006/11/27 REV A	GENERAL TOLERANCES (UNLESS SPECIFIED)		DIMENSION STYLE MM ONLY	SCALE 1:1	DESIGN UNITS METRIC	THIRD ANGLE PROJECTION
	10 UNDER	± 0.2	DRAWN BY KTAKETOMI	DATE 2004/12/10	TITLE 0.4 W/B CONN. REC. HSG ASSY SIDE ENTRY EMBOSSED TAPE PACKAGE	
	10 OVER 30 UNDER	± 0.25	CHECKED BY TKANEKO	DATE 2004/12/10	MOLEX INCORPORATED	
	30 OVER	± 0.3	APPROVED BY AHORINO	DATE 2004/12/10	MATERIAL NO. SEE CHART	
ANGULAR ± 3 °		DRAFT WHERE APPLICABLE MUST REMAIN WITHIN DIMENSIONS		DOCUMENT NO. SD-501044-002	SHEET NO. 3 OF 3	
THIS DRAWING CONTAINS INFORMATION THAT IS PROPRIETARY TO MOLEX INCORPORATED AND SHOULD NOT BE USED WITHOUT WRITTEN PERMISSION						