

Excellent Integrated System Limited

Stocking Distributor

Click to view price, real time Inventory, Delivery & Lifecycle Information:

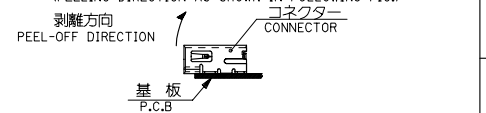
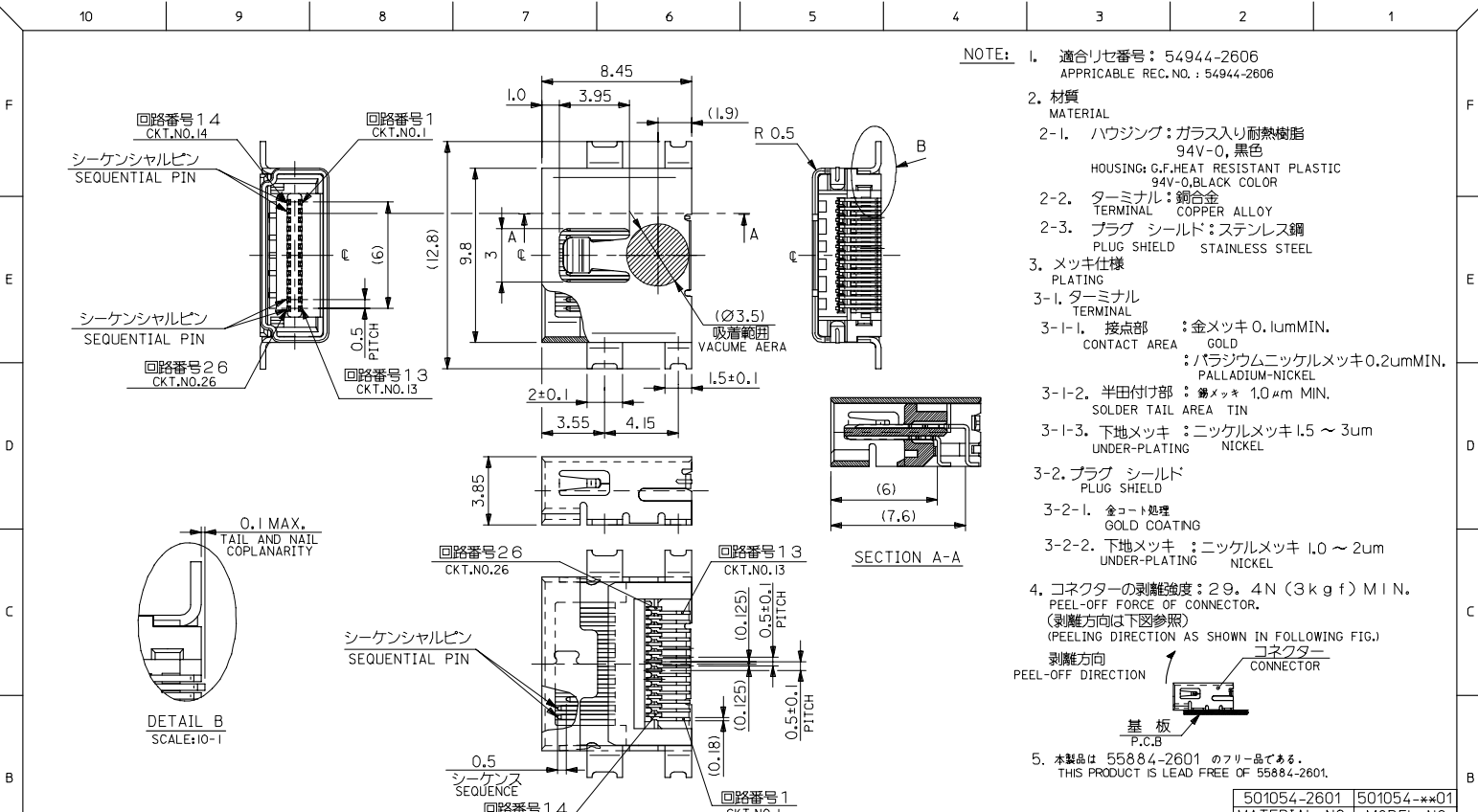
[Molex Connector Corporation](#)
[5010542670](#)

For any questions, you can email us directly:

sales@integrated-circuit.com

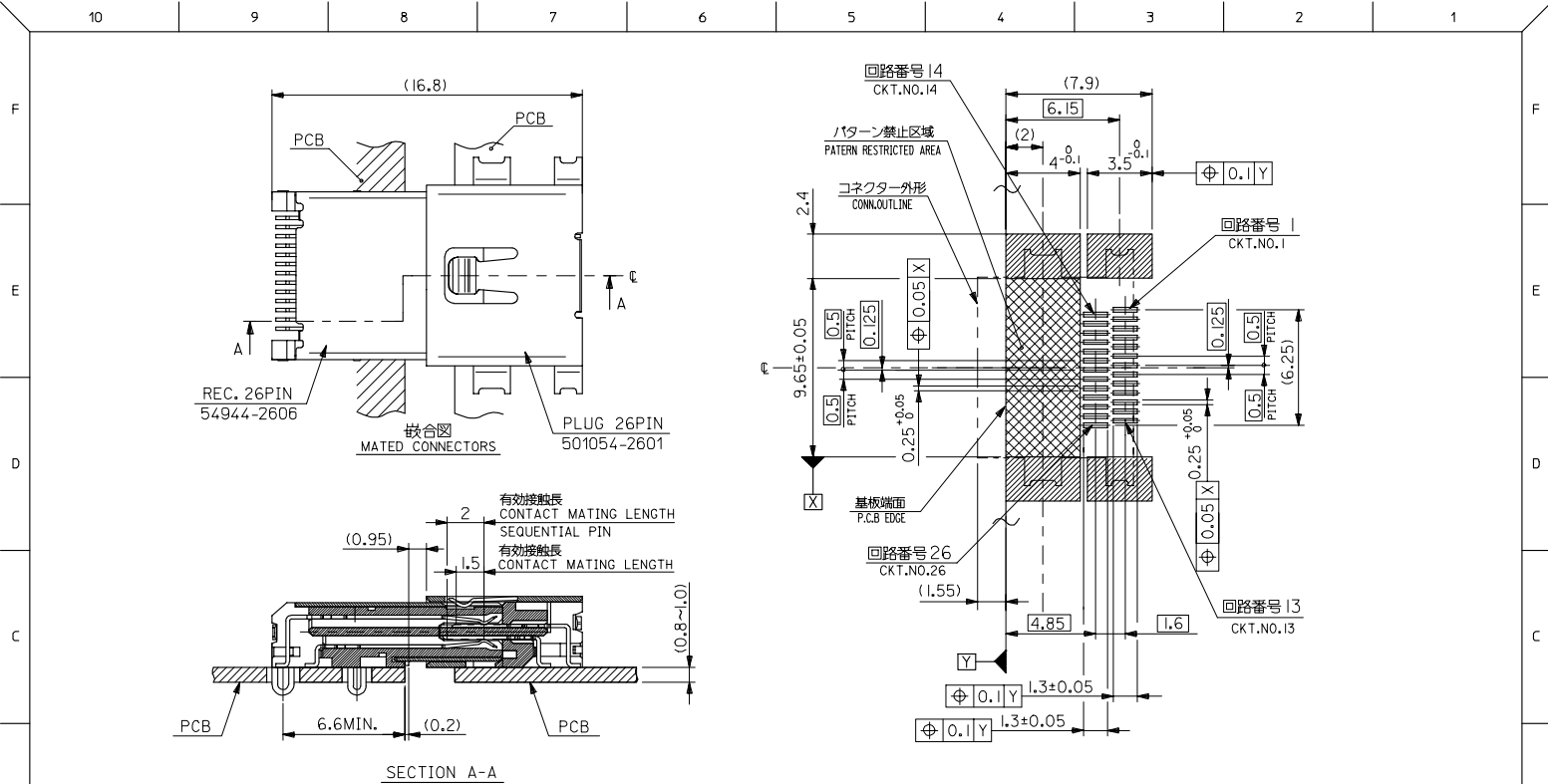
NOTE: 1. 適合リセ番号 : 54944-2606
APPLICABLE REC.NO. : 54944-2606

2. 材質 MATERIAL
2-1. ハウジング: ガラス入り耐熱樹脂 94V-0, 黒色
HOUSING: G.F.HEAT RESISTANT PLASTIC 94V-0, BLACK COLOR
2-2. ターミナル: 銅合金
TERMINAL: COPPER ALLOY
2-3. プラグ シールド: ステンレス鋼
PLUG SHIELD: STAINLESS STEEL
3. メッキ仕様 PLATING
3-1. ターミナル TERMINAL
3-1-1. 接点部 CONTACT AREA : 金メッキ 0.1umMIN.
GOLD
: パラジウムニッケルメッキ 0.2umMIN.
PALLADIUM-NICKEL
3-1-2. 半田付け部 SOLDER TAIL AREA : 錫メッキ 1.0um MIN.
TIN
3-1-3. 下地メッキ UNDER-PLATING : ニッケルメッキ 1.5 ~ 3um
NICKEL
3-2. プラグ シールド PLUG SHIELD
3-2-1. 金コート処理 GOLD COATING
3-2-2. 下地メッキ UNDER-PLATING : ニッケルメッキ 1.0 ~ 2um
NICKEL
4. コネクターの剥離強度: 29.4N (3kgf) MIN.
PEEL-OFF FORCE OF CONNECTOR.
(剥離方向は下図参照)
(PEELING DIRECTION AS SHOWN IN FOLLOWING FIG.)
5. 本製品は 55884-2601 のフリー品である。
THIS PRODUCT IS LEAD FREE OF 55884-2601.



501054-2601 | 501054-**-01
MATERIAL NO. | MODEL NO.

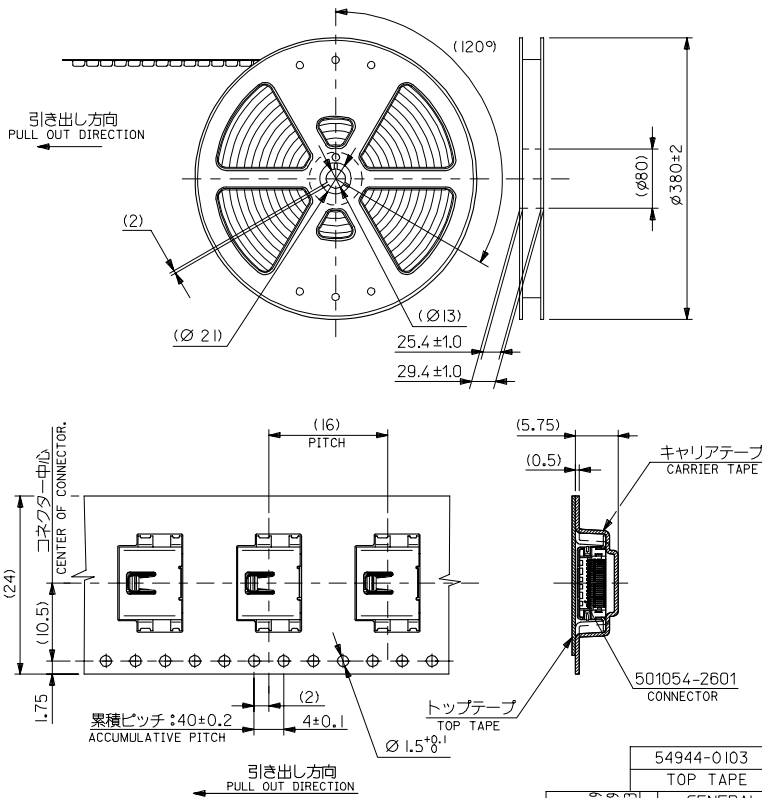
RELEASED EC NO: J2005-0066 O DRW: MMBE 2004/07/09 CHK: KTOJ 2004/07/09 APPR: NUKITA 2004/07/13 REV:	GENERAL TOLERANCES (UNLESS SPECIFIED)		DIMENSION STYLE MM ONLY	SCALE 5:1	DESIGN UNITS METRIC	THIRDS ANGLE PROJECTION
	10 UNDER	± 0.2	DRAWN BY MNAME1	DATE '04/07/05	TITLE 0.5 I/O CONN PLUG HSG ASSY 26CKT -LEAD FREE-	
	10 OVER 30 UNDER	± 0.25	CHECKED BY KTOJO	DATE '04/07/05	MOLEX INCORPORATED	
	30 OVER	± 0.3	APPROVED BY NUKITA	DATE '04/07/05	MATERIAL NO. DOCUMENT NO. SHEET NO. SEE CHART SD-501054-001 1 OF 2	
ANGULAR		± 3 °	THIS DRAWING CONTAINS INFORMATION THAT IS PROPRIETARY TO MOLEX INCORPORATED AND SHOULD NOT BE USED WITHOUT WRITTEN PERMISSION			
DRAFT WHERE APPLICABLE MUST REMAIN WITHIN DIMENSIONS						



参考基板推奨寸法 (部品実装側)
RECOMMENDED P.C.B LAYOUT (REF.) (MOUNTING SIDE)

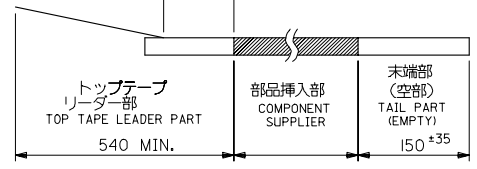
RELEASED E.C. NO: J2005-0066 0 DR/MHMBE 2004/07/09 O CH/KCK10 2004/07/09 APP: NUKITA 2004/07/13 REVISION DESCRIPTION 10 UNDER ±0.2 10 OVER 30 UNDER ±0.25 30 OVER ±0.3 ANGULAR ±3° DRAFT WHERE APPLICABLE MUST REMAIN WITHIN DIMENSIONS	GENERAL TOLERANCES (UNLESS SPECIFIED)		DIMENSION STYLE MM ONLY		SCALE 5:1	DESIGN UNITS METRIC	THIRD ANGLE PROJECTION	
	DRAWN BY MNABE1		DATE '04/07/05		TITLE 0.5 I/O CONN PLUG HSG ASSY 26CKT -LEAD FREE-			
	CHECKED BY KTOJO		DATE '04/07/05		MATERIAL NO. SEE CHART			
	APPROVED BY NUKITA		DATE '04/07/05		DOCUMENT NO. SD-501054-001			
SIZE A3				THIS DRAWING CONTAINS INFORMATION THAT IS PROPRIETARY TO MOLEX INCORPORATED AND SHOULD NOT BE USED WITHOUT WRITTEN PERMISSION				SHEET NO. 2 OF 2

10 9 8 7 6 5 4 3 2 1



注記
NOTES

- 製品番号501054-2601の寸法詳細は SD-501054-001 参照
IN THE PACKAGE PART NO.501054-2601 DETAILED DIMENSION, SEE SD-501054-001.
- 梱包数量: 800 個/リール
NUMBER OF CONNECTORS: 800 PCS/REEL
- リードテープ長さ
LEAD TAPE LENGTH
引き出し方向
PULL OUT DIRECTION
トップテープ接着部
TOP TAPE BONDED PART
(空エンボス)
(EMPTY)
20-25PCS.
- トップテープの剥離強度: 0.1~1.3N (10~130gf)
(剥離方向は下図参照) キャリアテープ幅: 2.4mm
PEEL-OFF FORCE OF TOP TAPE: 0.1~1.3N (10~130gf)
(PEELING DIRECTION AS SHOWN IN FOLLOWING FIG.)
CARRIER TAPE WIDTH
尚、本規格値は、出荷時に適用。
THIS REQUIREMENT SHOULD BE APPLIED AT SHIPMENT
(但し、輸送時に剥離が発生しない事。)
(PEEL OFF SHOULD NOT BE ALLOWED, DURING TRANSPORTATION)
剥離方向
PEEL OFF DIRECTION
10°
引き出し方向
PULL OUT DIRECTION
- 材料
MATERIAL
キャリアテープ: ポリプロピレン
CARRIER TAPE: POLYPROPYLENE
トップテープ: ポリエステル、ポリエチレン
TOP TAPE: POLYESTER, POLYETHYLENE
リール: ポリスチレン
REEL: POLYSTYRENE
- 本製品は 55884-2690 の鉛フリー品である。
THIS PRODUCT IS LEAD FREE OF 55884-2690.



54944-0103	59499-7803	59405-1626	26	501054-2601	501054-2670
TOP TAPE	REEL	EMBOSSED TAPE	CKT	CONNECTOR	MATERIAL NO.
GENERAL TOLERANCES (UNLESS SPECIFIED)		DIMENSION STYLE	SCALE	DESIGN UNITS	THIRD ANGLE PROJECTION
10 UNDER ±0.2		MM ONLY	---	METRIC	
10 OVER 30 UNDER ±0.25		DRAWN BY	DATE	TITLE	
30 OVER ±0.3		MNABE	'04/07/05	EMBOSSED TAPE PACKAGE FOR 501054-2601 -LEAD FREE-	
ANGULAR ±3 °		CHECKED BY	DATE	MATERIAL NO.	
DRAFT WHERE APPLICABLE MUST REMAIN WITHIN DIMENSIONS		KTOJO	'04/07/05	SD-501054-002	
APPROVED BY		DATE	MOLEX INCORPORATED		
NUKITA		'04/07/05	DOCUMENT NO.		
MATERIAL NO.		SEE CHART			SHEET NO.
SD-501054-002		THIS DRAWING CONTAINS INFORMATION THAT IS PROPRIETARY TO MOLEX INCORPORATED AND SHOULD NOT BE USED WITHOUT WRITTEN PERMISSION			1 OF 1