

Excellent Integrated System Limited

Stocking Distributor

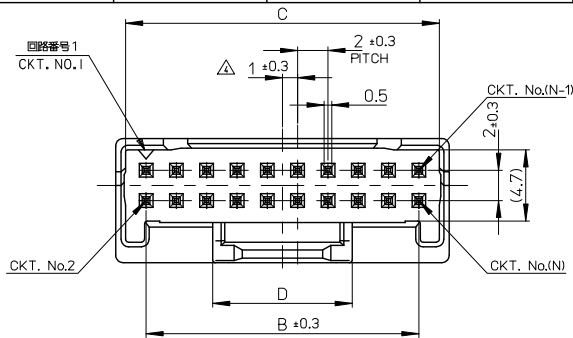
Click to view price, real time Inventory, Delivery & Lifecycle Information:

[Molex Connector Corporation](#)
[5016454020](#)

For any questions, you can email us directly:

sales@integrated-circuit.com

10 9 8 7 6 5 4 3 2 1



注記 NOTES

1. 材料 MATERIAL
ピン : 黄銅、銅下地メッキ
PIN : BRASS, REFLOWED TIN OVER COPPER PLATED
ハウジング : 66ナイロン(ガラス入り), UL94V-0
HOUSING : 66NYLON (G.F.), UL94V-0
2. 嵌合相手 MATES WITH

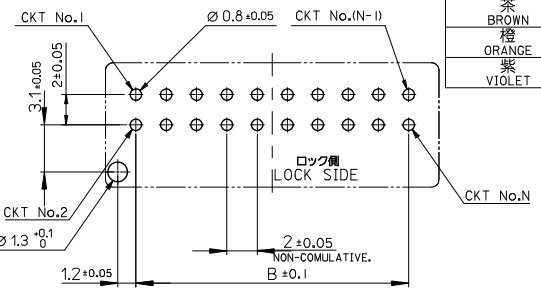
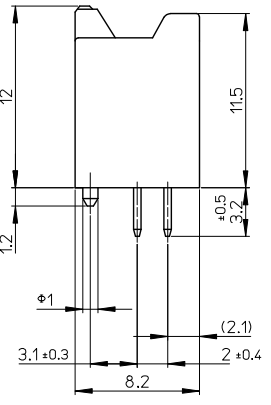
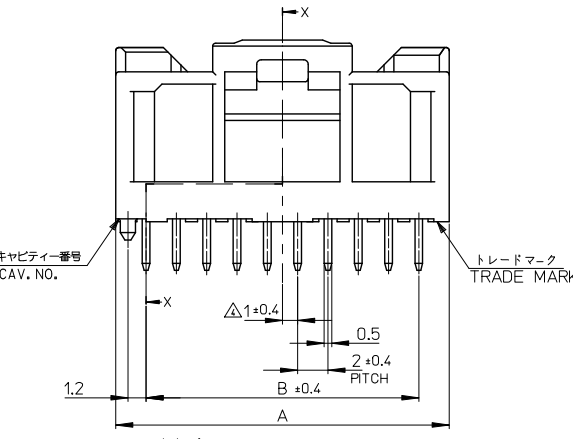
REC. CRIMP HOUSING	501646 SERIES
REC. CRIMP TERMINAL	501647 SERIES
AWG #22-26 TIN PLATING	501648 SERIES

製品番号 MATERIAL NO.
501645-*2***
極致 CIRCUIT SIZE 色 COLOR

(全極数/2) = 偶数の場合に適用。
APPLY FOR (CIRCUIT/2)=EVEN

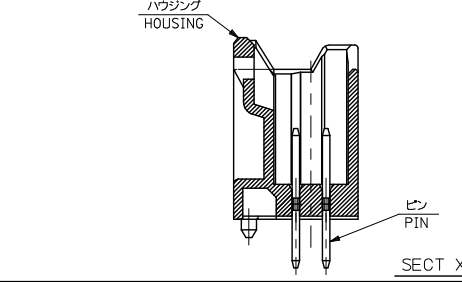
5. ELV及びRoHS 適合品
ELV AND RoHS COMPLIANT.

ナチュラル NATURAL	0
黒 BLACK	1
赤 RED	2
黄 YELLOW	3
青 BLUE	4
桃 PINK	5
緑 GREEN	6
茶 BROWN	7
橙 ORANGE	8
紫 VIOLET	9



基板取付穴推奨寸法 (マウント面)
RECOMMENDED P.C.BOARD HOLE DIMENSION (MOUNTING SIDE) (1=1.2~1.6)

9.2	40.7	38	42	501645-402*	40
9.2	38.7	36	40	-382*	38
9.2	36.7	34	38	-362*	36
9.2	34.7	32	36	-342*	34
9.2	32.7	30	34	-322*	32
9.2	30.7	28	32	-302*	30
9.2	28.7	26	30	-282*	28
9.2	26.7	24	28	-262*	26
9.2	24.7	22	26	-242*	24
9.2	22.7	20	24	-222*	22
9.2	20.7	18	22	-202*	20
9.2	18.7	16	20	-182*	18
9.2	16.7	14	18	-162*	16
9.2	14.7	12	16	-142*	14
9.2	12.7	10	14	-122*	12
7.3	10.7	8	12	501645-102*	10



REVISED EC NO. J2017-0032 DRAWN BY CHIKO-SKIYAMA CHKD-SKIYAMA APPR:TKANEKO 2016/07/01 2016/07/01 2016/07/12	GENERAL TOLERANCES (UNLESS SPECIFIED)			DIMENSION STYLE		SCALE	DESIGN UNITS		THIRD ANGLE PROJECTION	
	0.25 UNDER	UNDER	±0.03	MM ONLY		4:1	METRIC			
	0.25 OVER	0.5 UNDER	±0.05	DRAWN BY DATE		TITLE				
	0.5 OVER	1.0 UNDER	±0.1	N. ITO 05/07/04		IGRID 2.0MM W/B DUAL DIP PLUG ASSY ST(WITH BOSS)				
	1.0 OVER	10 UNDER	±0.2	CHECKED BY DATE		ASAKAWA 05/07/04				
10 OVER	30 UNDER	±0.25	APPROVED BY DATE		ICHIKAWA 05/07/04					
30 OVER		±0.3	MATERIAL NO.		501645-***2*		DOCUMENT NO.		SHEET NO.	
ANGULAR ±3°			DRAFT WHERE APPLICABLE MUST REMAIN WITHIN DIMENSIONS		SIZE	A3		THIS DRAWING CONTAINS INFORMATION THAT IS PROPRIETARY TO MOLEX ELECTRONIC TECHNOLOGIES, LLC AND SHOULD NOT BE USED WITHOUT WRITTEN PERMISSION		

9 8 7 6 5 4 3 2 1