

Excellent Integrated System Limited

Stocking Distributor

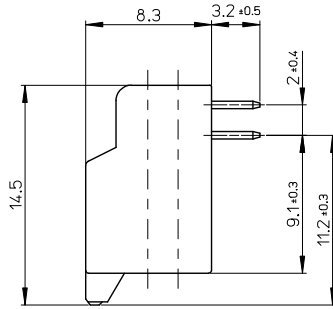
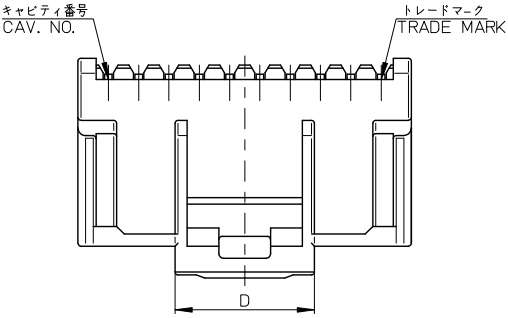
Click to view price, real time Inventory, Delivery & Lifecycle Information:

[Molex Connector Corporation](#)
[5018764040](#)

For any questions, you can email us directly:

sales@integrated-circuit.com

10 9 8 7 6 5 4 3 2 1



注記
NOTES

1. 材料 MATERIAL
ピン : 黄銅, ニッケル下地鍍メッキ
PIN : BRASS, REFLOWED TIN OVER COPPER PLATED
ハウジング : 66ナイロン(ガラス入り), UL94V-0
HOUSING : 66NYLON (G.F.), UL94V-0
2. 嵌合相手 MATES WITH

REC. CRIMP HOUSING	501646 SERIES
REC. CRIMP TERMINAL	
AWG #22-26 TIN PLATING	501647 SERIES
AWG #26-28 TIN PLATING	501648 SERIES

△ 製品番号
MATERIAL NO.

501876-**4*

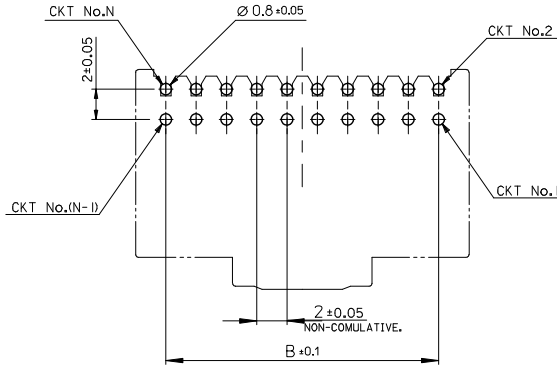
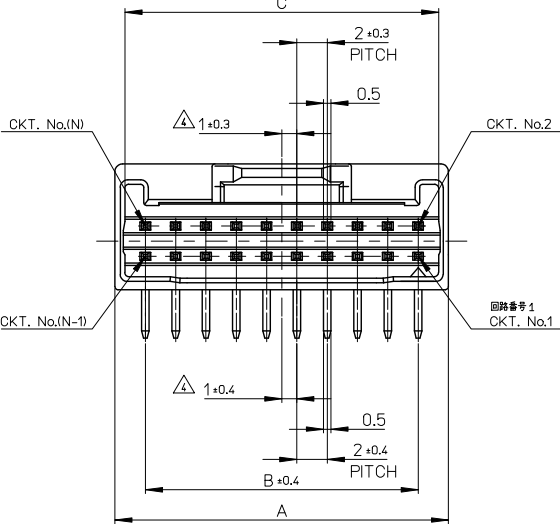
極数 CIRCUIT SIZE

色 COLOR

△ (全極数/2) = 偶数の場合に適用。
APPLY FOR (CIRCUIT/2)=EVEN

5. ELV 及び RoHS 適合品
ELV AND ROHS COMPLIANT.

ナチュラル	0
黒	1
赤	2
黄	3
青	4
桃	5
緑	6
茶	7
橙	8
紫	9



基板取付の推奨寸法 (マウント面)
RECOMMENDED P.C.BOARD
HOLE DIMENSION
(MOUNTING SIDE)
(1=1.2~1.6)

9.2	40.7	38	42	501876-404*	40
9.2	38.7	36	40	-384*	38
9.2	36.7	34	38	-364*	36
9.2	34.7	32	36	-344*	34
9.2	32.7	30	34	-324*	32
9.2	30.7	28	32	-304*	30
9.2	28.7	26	30	-284*	28
9.2	26.7	24	28	-264*	26
9.2	24.7	22	26	-244*	24
9.2	22.7	20	24	-224*	22
9.2	20.7	18	22	-204*	20
9.2	18.7	16	20	-184*	18
9.2	16.7	14	18	-164*	16
9.2	14.7	12	16	-144*	14
9.2	12.7	10	14	-124*	12
7.3	10.7	8	12	501876-104*	10

REVISED EC NO: J2017-0032 DRAWN BY: CHIKO-SAKIYAMA CHKD: SAKIYAMA APPR: IKANEKO 2016/07/04 2016/07/04 2016/07/12	GENERAL TOLERANCES (UNLESS SPECIFIED)			DIMENSION STYLE		SCALE	DESIGN UNITS		TITLE IGRID 2.0MM W/B DUAL DIP PLUG ASSY RA	SHEET NO. 1 OF 1
	0.25 UNDER	UNDER	±0.03	MM ONLY		4:1	METRIC			
	0.25 OVER	0.5 UNDER	±0.05	DRAWN BY DATE		THIRD ANGLE PROJECTION				
	0.5 OVER	1.0 UNDER	±0.1	ERIGUCHI '05/07/08						
	1.0 OVER	10 UNDER	±0.2	CHECKED BY DATE						
	30 OVER	30 UNDER	±0.25	ASAKAWA '05/07/08						
ANGULAR	±3 °	±0.3	APPROVED BY DATE							
DRAFT WHERE APPLICABLE MUST REMAIN WITHIN DIMENSIONS			SIZE	MATERIAL NO.		DOCUMENT NO.				
			A3	501876-**4*		SD-501876-001				

9 8 7 6 5 4 3 2 1