



**Distributor of Molex Connector Corporation: Excellent Integrated System Limited**  
Datasheet of 5022370517 - Connector Receptacle USB mini B 5 Position Through Hole,  
Vertical

Contact us: [sales@integrated-circuit.com](mailto:sales@integrated-circuit.com) Website: [www.integrated-circuit.com](http://www.integrated-circuit.com)

---

## **Excellent Integrated System Limited**

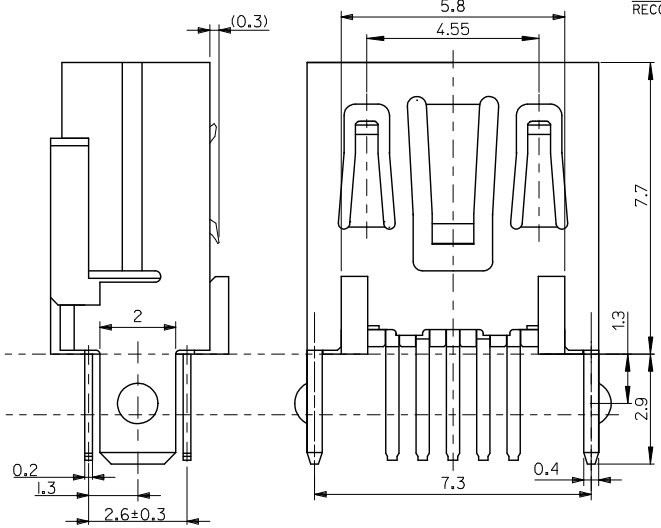
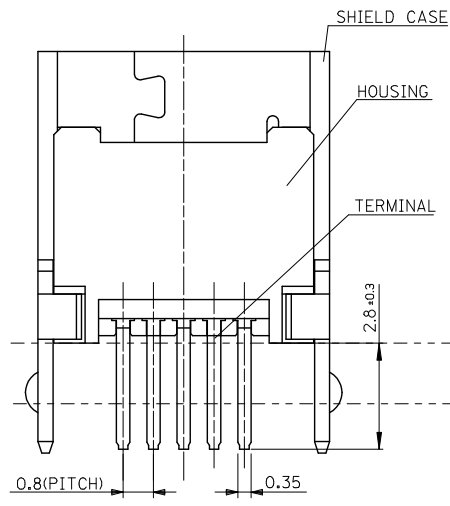
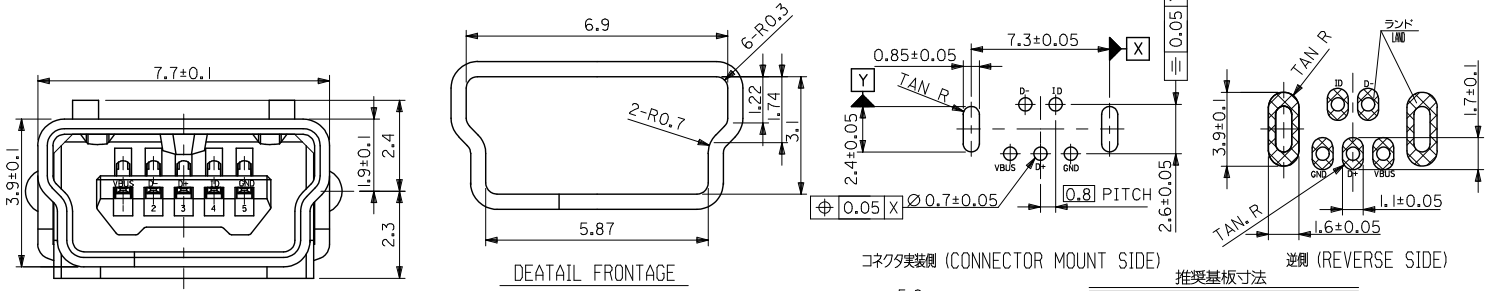
Stocking Distributor

Click to view price, real time Inventory, Delivery & Lifecycle Information:

[Molex Connector Corporation](#)  
[5022370517](#)

For any questions, you can email us directly:  
[sales@integrated-circuit.com](mailto:sales@integrated-circuit.com)

Contact us: sales@integrated-circuit.com Website: www.integrated-circuit.com



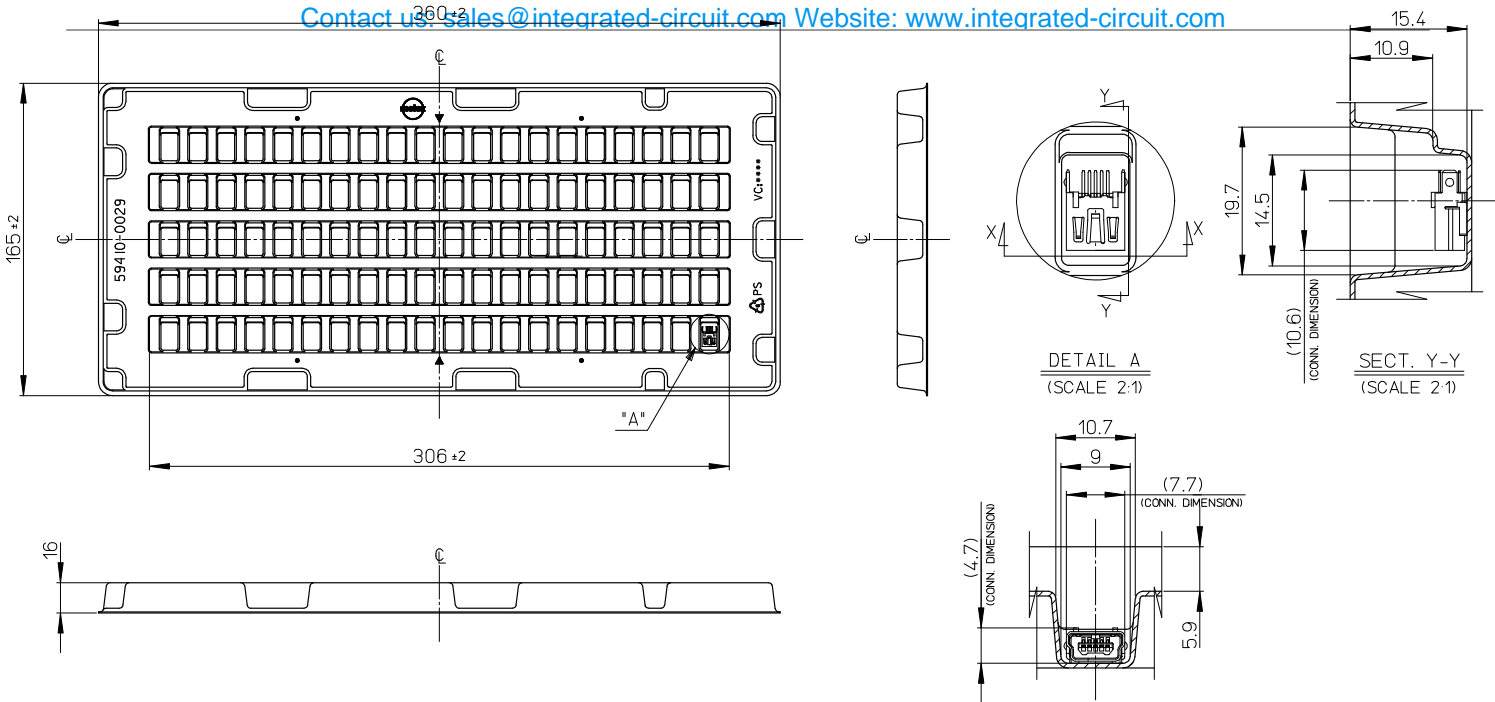
注記  
NOTES

1. 材質  
MATERIAL  
ハウジング: ポリアミド, 黒色, UL94V-0  
HOUSING: POLYAMIDE, BLACK, UL94V-0  
ターミナル: 銅合金 (t=0.2)  
TERMINAL: COPPER ALLOY (t=0.2)  
シールド ケース: 銅合金 (t=0.4)  
SHIELD CASE: COPPER ALLOY (t=0.4)

2. メッキ仕様  
PLATING  
ターミナル  
TERMINAL  
接点部: 金メッキ  
CONTACT AREA: GOLD  
半田付け部: 錫メッキ  
SOLDER TAIL AREA: TIN  
下地部: ニッケルメッキ  
UNDER PLATING: NICKEL  
シールド ケース  
SHIELD CASE  
鍍メッキ  
TIN  
下地部: ニッケルメッキ  
UNDER PLATING: NICKEL

502237-0517
TRAY PKG.
ORDER No./オーダー番号

REVISED EC NO. J2009-2284 DRAWN BY CHIKO-HATSUMOTO APPROVED BY NUKITA	2009/06/29	2009/06/30	2009/06/30	GENERAL TOLERANCES (UNLESS SPECIFIED)	DIMENSION STYLE MM ONLY	SCALE 10:1	DESIGN UNITS METRIC	THIRD ANGLE PROJECTION
	10 UNDER	± 0.2	MTANAKA	DATE 06/03/29	TITLE USB SERIES MINI-B STRAIGHT REC. ASSY -LEAD FREE-	MOLEX INCORPORATED		
	10 OVER 30 UNDER	± 0.25	CHECKED BY NUKITA	DATE 06/03/29	APPROVED BY NUKITA	DATE 06/03/29	DOCUMENT NO. SD-502237-001	SHEET NO. 1 OF 1
	30 OVER	± 0.3	ANGULAR	± 3 °	SEE SHEET			
DRAFT WHERE APPLICABLE MUST REMAIN WITHIN DIMENSIONS				THIS DRAWING CONTAINS INFORMATION THAT IS PROPRIETARY TO MOLEX INCORPORATED AND SHOULD NOT BE USED WITHOUT WRITTEN PERMISSION				



**注記**

1. 一般公差: ±0.5  
GENERAL TOLERANCES: ±0.5
2. 各部の反りは2.0MAX.  
WARP: 2.0MAX.
3. 梱包数: 100個  
PACKAGING QUANTITY: 100PCS.

RELEASED EC NO.: J2008-3626 DRAWN BY: Y. TOKUZONO 2008/04/15 CHECKED BY: T. HARUYAMA 2008/04/15 APPROVED BY: N. UKITA 2008/04/16	GENERAL TOLERANCES (UNLESS SPECIFIED)		DIMENSION STYLE	SCALE	DESIGN UNITS	THIRD ANGLE PROJECTION
	10 UNDER ±---		MM ONLY	1:2	METRIC	
	10 OVER 30 UNDER ±---		DRAWN BY	DATE	TITLE	
	30 OVER ±---		Y. TOKUZONO	2008/4/14	TRAY FOR 502237 (USB SERIES MINI-B REC. HS'G ASS'Y S/T)	
ANGULAR ±--- °		CHECKED BY	DATE	MOLEX INCORPORATED		
DRAFT WHERE APPLICABLE MUST REMAIN WITHIN DIMENSIONS		T. HARUYAMA	2008/4/14			
MATERIAL NO.		APPROVED BY	DATE	MOLEX INCORPORATED		
594100029		N. UKITA	2008/4/14			
SIZE		THIS DRAWING CONTAINS INFORMATION THAT IS PROPRIETARY TO MOLEX INCORPORATED AND SHOULD NOT BE USED WITHOUT WRITTEN PERMISSION		SD-502237-002		
A3						
SHEET NO.		DOCUMENT NO.		1 OF 1		
				EN-02JA(021)		