

## Excellent Integrated System Limited

Stocking Distributor

Click to view price, real time Inventory, Delivery & Lifecycle Information:

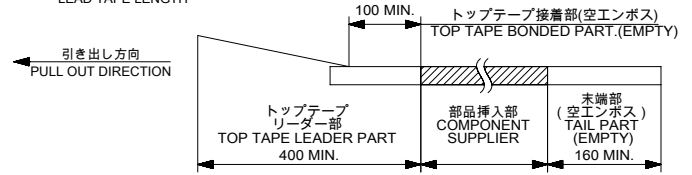
[Molex Connector Corporation](#)  
[5022505191](#)

For any questions, you can email us directly:

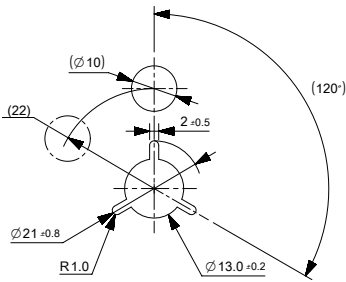
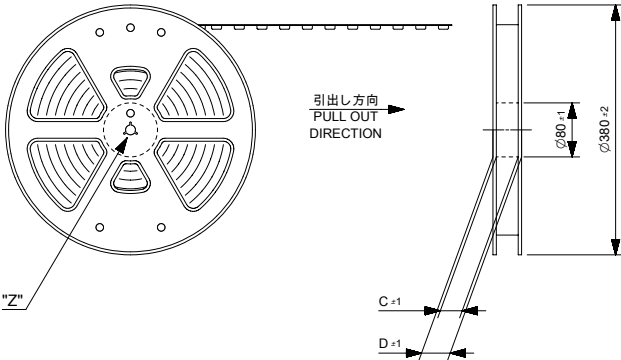
[sales@integrated-circuit.com](mailto:sales@integrated-circuit.com)

**NOTES**

- 製品 ( 502250\*\*20 ) の詳細寸法については、図面 5022501000 DOC.PART 000 をご参照ください  
IN THE PACKAGE, PART NO. 502250\*\*20 DETAILED DIMENSIONS, REFER TO SALES DRAWING NO. 5022501000 DOC.PART 000.
- 梱包数量 : 3000 個 / リール  
NUMBER OF CONNECTORS:3000 PCS/REEL
- リードテープ長さ  
LEAD TAPE LENGTH



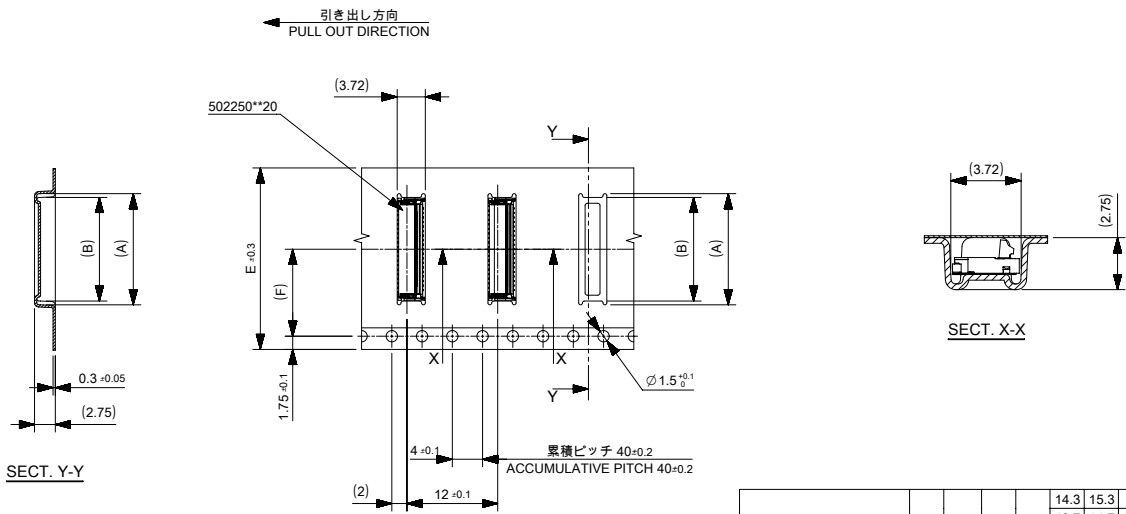
- 材料(MATERIAL)  
キャリアテープ(CARRIER TAPE) : ポリスチレン(POLYSTYRENE)  
トップテープ(TOP TAPE) : PET, OTHER  
リール(REEL) : ポリスチレン(POLYSTYRENE)<リサイクル材を含む>  
<RECYCLE MATERIAL CONTAINED>
- ELV 及び RoHS適合品  
ELV AND RoHS COMPLIANT.



DETAIL "Z"

502250\*\*91 MODEL NO.

THIS DRAWING CONTAINS INFORMATION THAT IS PROPRIETARY TO MOLEX ELECTRONIC TECHNOLOGIES, LLC AND SHOULD NOT BE USED WITHOUT WRITTEN PERMISSION		502250**91 MODEL NO.		
EC NO: 104567 DRWN: ABABU01 CHKD: KTAKAHASHI APPR: TKUSUHARA01 REV:	GENERAL TOLERANCES (UNLESS SPECIFIED) ANGULAR TOL. 3.0 ° 4 PLACES ± 0.2 3 PLACES ± 0.2 2 PLACES ± 0.25 1 PLACE ± 0.3 0 PLACES ± 0.3	DIMENSION UNITS: MM SCALE: NTS DRWN BY: ABABU01 DATE: 2016/01/21 CHKD BY: KTAKAHASHI DATE: 2016/05/09 APPR BY: TKUSUHARA01 DATE: 2016/05/09	<b>molex</b>  0.3 FPC CONN E/O B/F HGT =0.9MM EMBSTP PKG	
	PRODUCT CUSTOMER DRAWING			
	DRAFT WHERE APPLICABLE MUST REMAIN WITHIN DIMENSIONS		DRAWING SIZE: A3 THIRD ANGLE PROJECTION	SERIES: 502250 MATERIAL NUMBER: SEE TABLE CUSTOMER: GENERAL MARKET
	RELEASE STATUS: P1 RELEASE DATE: 09.05.2016 10:03:08	DOCUMENT NUMBER: 5022500000 DOC TYPE: PSD DOC PART: 000 SHEET NUMBER: 1 OF 3		



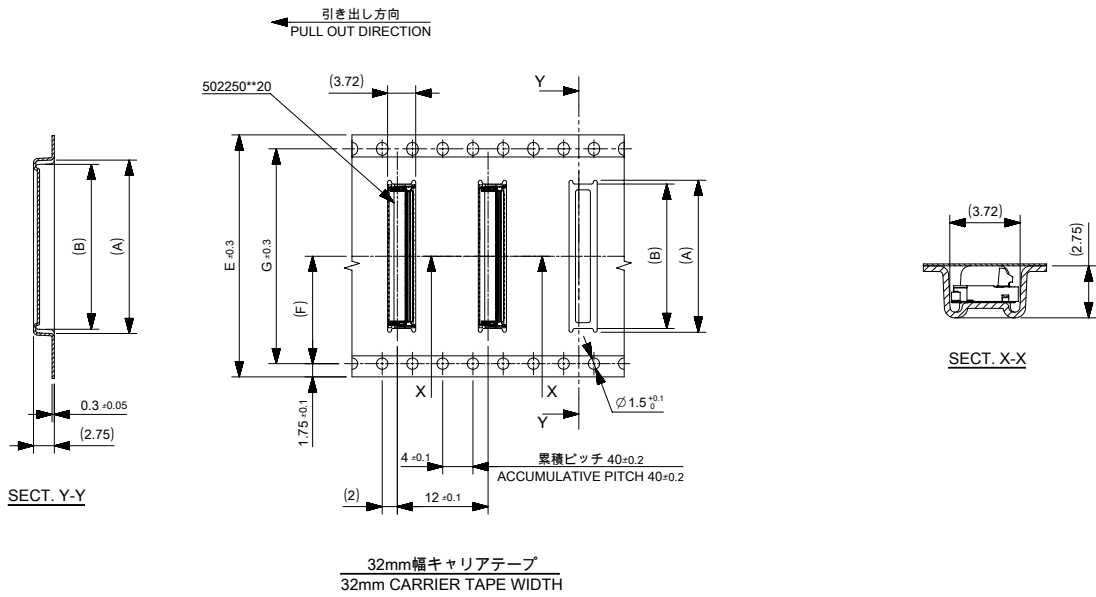
24	11.5	24	29.4	25.4	14.3	15.3	5022504191	41	
					13.7	14.7	5022503991	39	
					12.5	13.5	5022503591	35	
					11.9	12.9	5022503391	33	
					10.1	11.1	5022502791	27	
					8.9	9.9	5022502391	23	
16	7.5	16	21.4	17.4	8.3	9.3	5022502191	21	
					7.1	8.1	5022501791	17	
キャリアテープ幅 (CARRIER TAPE WIDTH)		(F)	E	D	C	(B)	(A)	製品番号 (MATERIAL NO.)	極数 (CIRCUIT)

MODEL NO. 502250\*\*91

THIS DRAWING CONTAINS INFORMATION THAT IS PROPRIETARY TO MOLEX ELECTRONIC TECHNOLOGIES, LLC AND SHOULD NOT BE USED WITHOUT WRITTEN PERMISSION

EC NO. 104567 DRWN: ABABU01 CHKD: KTAKAHASHI APPR: TKUSUHARA01 REV:	GENERAL TOLERANCES (UNLESS SPECIFIED) ANGULAR TOL. 3.0 ° 4 PLACES ± 0.2 3 PLACES ± 0.2 2 PLACES ± 0.25 1 PLACE ± 0.3 0 PLACES ± 0.3	DIMENSION UNITS: MM SCALE: NTS DRWN BY: ABABU01 DATE: 2016/01/21 CHKD BY: KTAKAHASHI DATE: 2016/05/09 APPR BY: TKUSUHARA01 DATE: 2016/05/09	<b>molex</b>  0.3 FPC CONN E/O B/F HGT = 0.9MM EMBSTP PKG	
	PRODUCT CUSTOMER DRAWING			
	DRAFT WHERE APPLICABLE MUST REMAIN WITHIN DIMENSIONS		DRAWING SIZE: A3 THIRD ANGLE PROJECTION	SERIES: 502250 MATERIAL NUMBER: SEE TABLE CUSTOMER: GENERAL MARKET
	DOCUMENT NUMBER: 5022500000 DOC TYPE: PSD DOC PART: 000 SHEET NUMBER: 2 OF 3			

RELEASE STATUS	P1	RELEASE DATE	09.05.2016	10:03:08
----------------	----	--------------	------------	----------

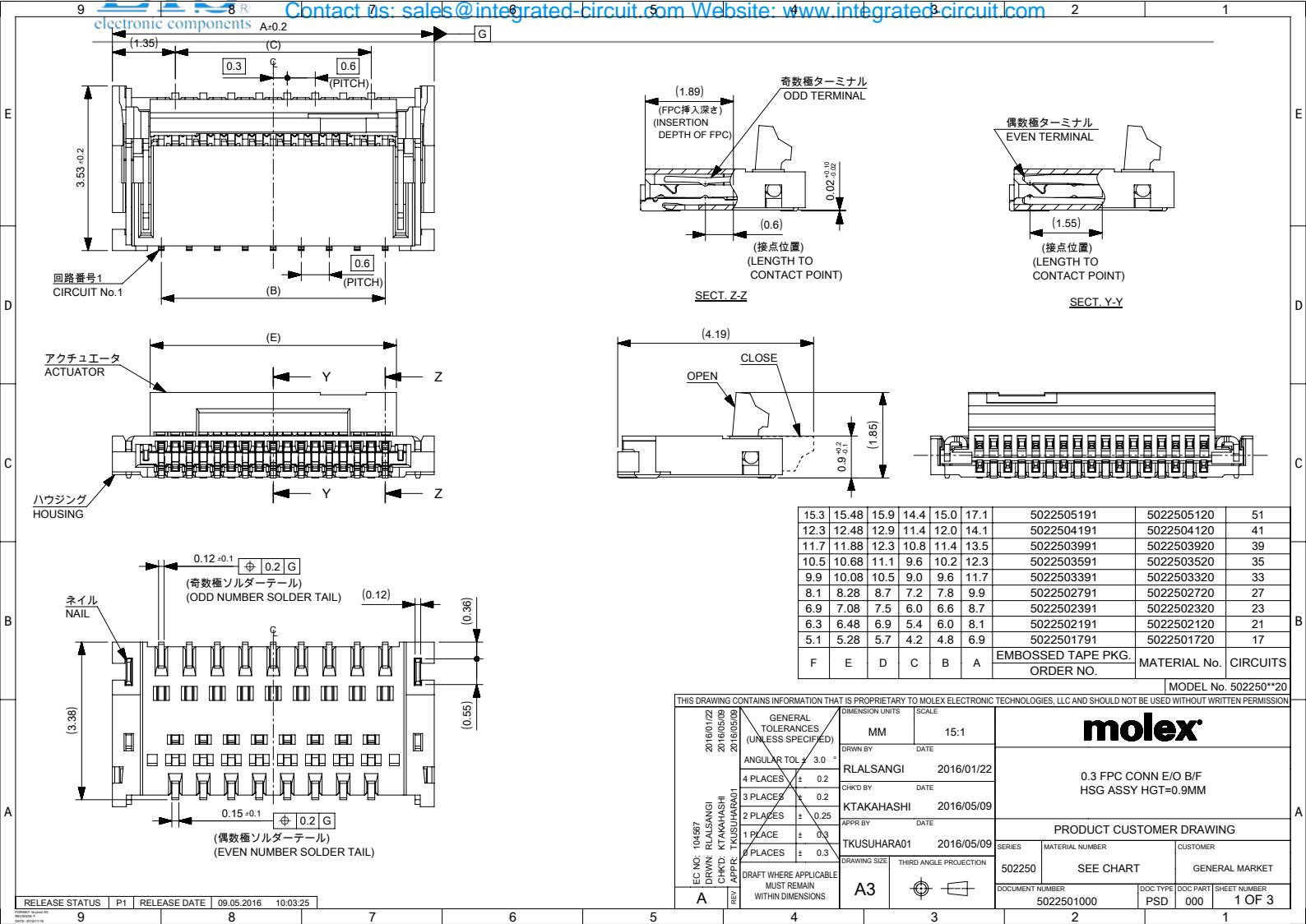


32mm幅キャリアテープ  
32mm CARRIER TAPE WIDTH

32	28.4	14.2	32	37.4	33.4	17.3	18.3	5022505191	51
キャリアテープ幅 CARRIER TAPE WIDTH	G	(F)	E	D	C	(B)	(A)	製品番号 MATERIAL NO.	極数 CIRCUIT
								MODEL NO.	502250**91

THIS DRAWING CONTAINS INFORMATION THAT IS PROPRIETARY TO MOLEX ELECTRONIC TECHNOLOGIES, LLC AND SHOULD NOT BE USED WITHOUT WRITTEN PERMISSION										
EC NO. 104567 DRWN: ABABU01 CHKD: KTAKAHASHI APPR: TKUSUHARA01 REV:	GENERAL TOLERANCES (UNLESS SPECIFIED)			MM	SCALE					
	ANGULAR TOL. 3.0 °			NTS						
	4 PLACES ± 0.2			DRWN BY	DATE	0.3 FPC CONN E/O B/F HGT =0.9MM EMBSTP PKG  PRODUCT CUSTOMER DRAWING  SERIES: 502250 MATERIAL NUMBER: SEE TABLE CUSTOMER: GENERAL MARKET				
	3 PLACES ± 0.2			CHKD BY	DATE					
2 PLACES ± 0.25			KTAKAHASHI	2016/05/09						
1 PLACE ± 0.3			APPR BY	DATE						
0 PLACES ± 0.3			TKUSUHARA01	2016/05/09	DRAWING SIZE		THIRD ANGLE PROJECTION		DOCUMENT NUMBER	DOC TYPE
DRAFT WHERE APPLICABLE MUST REMAIN WITHIN DIMENSIONS			A3		502250	PSD	000		SHEET NUMBER	
					5022500000	000	3 OF 3			

RELEASE STATUS	P1	RELEASE DATE	09.05.2016	10:03:08
----------------	----	--------------	------------	----------

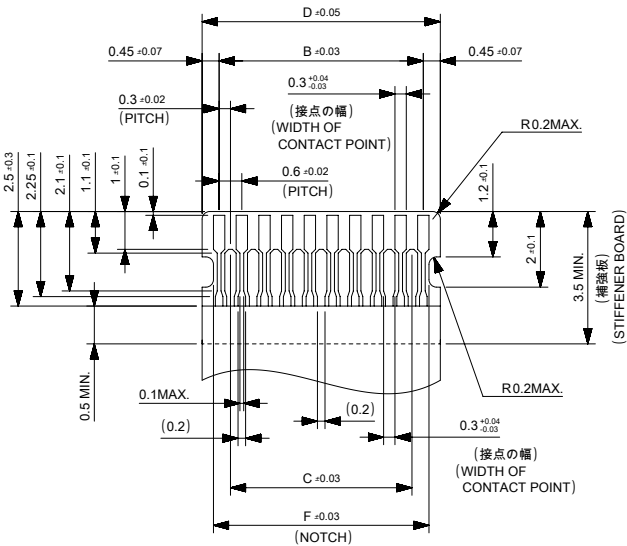


15.3	15.48	15.9	14.4	15.0	17.1	5022505191	5022505120	51
12.3	12.48	12.9	11.4	12.0	14.1	5022504191	5022504120	41
11.7	11.88	12.3	10.8	11.4	13.5	5022503991	5022503920	39
10.5	10.68	11.1	9.6	10.2	12.3	5022503591	5022503520	35
9.9	10.08	10.5	9.0	9.6	11.7	5022503391	5022503320	33
8.1	8.28	8.7	7.2	7.8	9.9	5022502791	5022502720	27
6.9	7.08	7.5	6.0	6.6	8.7	5022502391	5022502320	23
6.3	6.48	6.9	5.4	6.0	8.1	5022502191	5022502120	21
5.1	5.28	5.7	4.2	4.8	6.9	5022501791	5022501720	17
F	E	D	C	B	A	EMBOSSED TAPE PKG.		MATERIAL No. CIRCUITS
ORDER NO.							MODEL No. 502250**20	

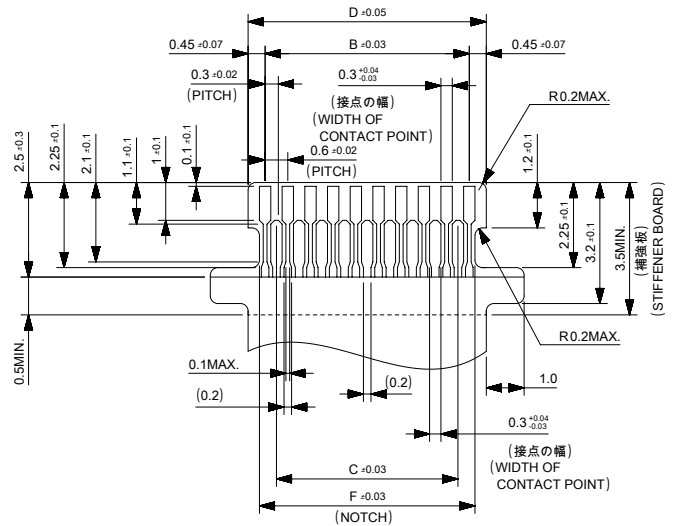
THIS DRAWING CONTAINS INFORMATION THAT IS PROPRIETARY TO MOLEX ELECTRONIC TECHNOLOGIES, LLC AND SHOULD NOT BE USED WITHOUT WRITTEN PERMISSION

EC NO. 104567 DRWN: RLALSANGI CHKD: KTAKAHASHI APPR: TKUSUHARA01	GENERAL TOLERANCES (UNLESS SPECIFIED) ANGULAR TOL. 3.0 °	DIMENSION UNITS: MM SCALE: 15:1	<b>molex</b>  0.3 FPC CONN E/O B/F HSG ASSY HGT=0.9MM  PRODUCT CUSTOMER DRAWING
	4 PLACES ± 0.2 3 PLACES ± 0.2 2 PLACES ± 0.25	DRWN BY: RLALSANGI DATE: 2016/01/22	
	1 PLACE ± 0.3 0 PLACES ± 0.3	CHKD BY: KTAKAHASHI DATE: 2016/05/09	
	DRAFT WHERE APPLICABLE MUST REMAIN WITHIN DIMENSIONS	APPR BY: TKUSUHARA01 DATE: 2016/05/09	
A3 THIRD ANGLE PROJECTION	DRAWING SIZE: A3 THIRD ANGLE PROJECTION	SERIES: 502250 MATERIAL NUMBER: SEE CHART CUSTOMER: GENERAL MARKET	DOCUMENT NUMBER: 5022501000 DOC TYPE: PSD DOC PART: 000 SHEET NUMBER: 1 OF 3

RELEASE STATUS P1 RELEASE DATE 09.05.2016 10:03:25



標準 FPC  
STANDARD



挿入位置確認用耳つき FPC  
WITH EARS FOR FPC INSERTION ALIGNMENT

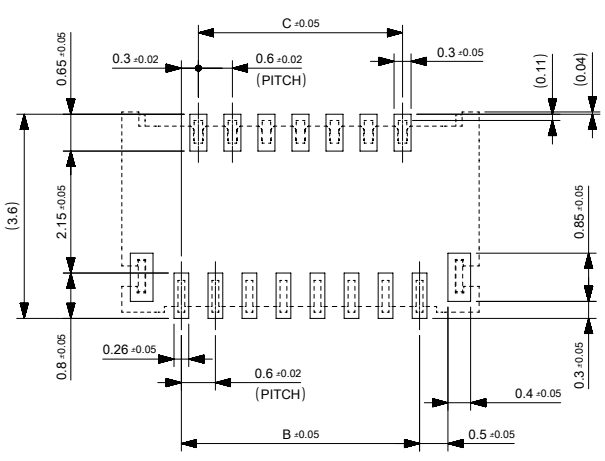
嵌合 FPC 推奨寸法  
APPLICABLE FPC  
RECOMMENDED DIMENSION  
(仕上がり厚さ: 0.2±0.03)  
(THICKNESS: 0.2±0.03)

FPCについて:  
抜き方向は、導体側から補強板側を推奨致します。  
補強フィルム材質は、ポリイミドを推奨致します。  
接着剤は熱硬化接着剤を推奨します。  
尚、接着剤の接点部への付着は導通不良の原因になりますので、  
染み出しが無い様、お願い致します。

ABOUT FPC:  
RECOMMENDED PUNCHER DIRECTION:  
FROM CONDUCTOR SIDE TO STIFFNER FILM SIDE.  
RECOMMENDED MATERIAL:  
STIFFENER FILM: POLYIMIDE  
BONDING AGENT: THERMOSETTING AGENT  
PLEASE PUT APPROPRIATE AMOUNT OF ADHESIVE ON ADHEREND  
BECAUSE THERE IS A POSSIBILITY THAT THE EXTRA ADHESIVE  
CAUSES THE DEFECT IN ELECTRICAL CONTINUITY.

THIS DRAWING CONTAINS INFORMATION THAT IS PROPRIETARY TO MOLEX ELECTRONIC TECHNOLOGIES, LLC AND SHOULD NOT BE USED WITHOUT WRITTEN PERMISSION		GENERAL TOLERANCES (UNLESS SPECIFIED)		DIMENSION UNITS: MM		SCALE: 10:1			
EC NO: 104567 DRWN: RLALSANGI CHKD: KTAKAHASHI APPR: TKUSUHARA01		ANGULAR TOL: 3.0° 4 PLACES ± 0.2 3 PLACES ± 0.2 2 PLACES ± 0.25 1 PLACE ± 0.3 0 PLACES ± 0.3		DRWN BY: RLALSANGI DATE: 2016/01/22 CHKD BY: KTAKAHASHI DATE: 2016/05/09 APPR BY: TKUSUHARA01 DATE: 2016/05/09		PRODUCT CUSTOMER DRAWING 0.3 FPC CONN E/O B/F HSG ASSY HGT=0.9MM			
DRAFT WHERE APPLICABLE MUST REMAIN WITHIN DIMENSIONS		DRAWING SIZE: A3		THIRD ANGLE PROJECTION		SERIES: 502250 MATERIAL NUMBER: SEE CHART CUSTOMER: GENERAL MARKET		DOCUMENT NUMBER: 5022501000 DOC TYPE: PSD DOC PART: 000 SHEET NUMBER: 2 OF 3	

RELEASE STATUS	P1	RELEASE DATE	09.05.2016	10.03.25
----------------	----	--------------	------------	----------



推奨基板レイアウト図(マウント面)  
P.C BOARD PATTERN  
RECOMMENDED DIMENSION  
(MOUNTING AREA)

推奨メタルマスク開口率について  
開口率 : 推奨パターン面積の100%  
ABOUT METAL MASK SPECIFICATION  
RECOMMEND APERTURE RATE : 100%

注記 NOTES

- 使用材料 MATERIAL  
ハウジング : 液晶ポリマー ガラス充填 UL94V-0 (ナチュラル)  
HOUSING : LIQUID CRYSTAL POLYMER (GLASS FILLED)  
UL94V-0(COLOR:NATURAL)  
アクチュエータ : ポリフェニレンサルファイド ガラス充填 UL94V-0 (黒)  
ACTUATOR : POLYPHENYLENE SULFIDE (GLASS FILLED)  
UL94V-0(COLOR:BLACK)  
ターミナル : 銅合金,ニッケル下地部分金メッキ (接触部及びテール部)  
TERMINAL : COPPER ALLOY,  
PARTLY GOLD(CONTACT,TAIL) OVER NICKEL PLATING  
ネイル : リン青銅,ニッケル下地鍍めつき  
FITTING NAIL : PHOSPHOR-BRONZE, TIN OVER NICKEL PLATING
- ソルダーテール半田付け面,及びネイル半田付け面の平坦度 : 0.1mmMAX.  
COPLANARITY OF SOLDER TAILS AND FITTING NAILS  
TO BE 0.1mm MAX.
- 基板実装前にアクチュエータを操作しないで下さい。  
PLEASE DO NOT OPERATE THE ACTUATOR BEFORE MOUNTING.  
必ず基板に実装し,FPCを挿入してからアクチュエータを操作して下さい。  
PLEASE OPERATE THE ACTUATOR AFTER MOUNTING ON  
THE SUBSTRATE AND MATING FPC.
- 推奨メタルマスク RECOMMENDED METAL MASK SPECIFICATION  
マスク厚 : 0.1mm MASK THICKNESS : 0.1mm  
なお,貴社にて上記以外でご使用頂く場合は,事前に確認頂きますようお願い致します。  
WHEN USE IT OTHER THAN THE ABOVE IN YOUR COMPANY,  
PLEASE CONFIRM IT BEFOREHAND.
- ELV及びRoHS適合品  
ELV AND RoHS COMPLIANT.

THIS DRAWING CONTAINS INFORMATION THAT IS PROPRIETARY TO MOLEX ELECTRONIC TECHNOLOGIES, LLC AND SHOULD NOT BE USED WITHOUT WRITTEN PERMISSION			
EC NO: 104567 DRWN: RLALSANGI CHKD: KTAKAHASHI APPR: TKUSUHARA01	GENERAL TOLERANCES (UNLESS SPECIFIED)	MM	SCALE 10:1
	ANGULAR TOL. 3.0 °	DRWN BY RLALSANGI	DATE 2016/01/22
	4 PLACES ± 0.2	CHKD BY KTAKAHASHI	DATE 2016/05/09
	3 PLACES ± 0.2	APPR BY TKUSUHARA01	DATE 2016/05/09
2 PLACES ± 0.25	DRAWING SIZE A3	THIRD ANGLE PROJECTION	
1 PLACE ± 0.3	DRAFT WHERE APPLICABLE MUST REMAIN WITHIN DIMENSIONS		
0 PLACES ± 0.3			
SERIES 502250 MATERIAL NUMBER SEE CHART CUSTOMER GENERAL MARKET		PRODUCT CUSTOMER DRAWING	
DOCUMENT NUMBER 5022501000		DOC TYPE PSD	DOC PART 000 SHEET NUMBER 3 OF 3

RELEASE STATUS	P1	RELEASE DATE	09.05.2016	10:03:25
----------------	----	--------------	------------	----------