

## Excellent Integrated System Limited

Stocking Distributor

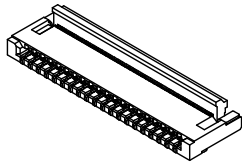
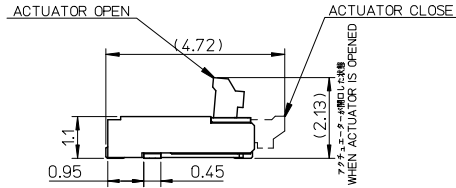
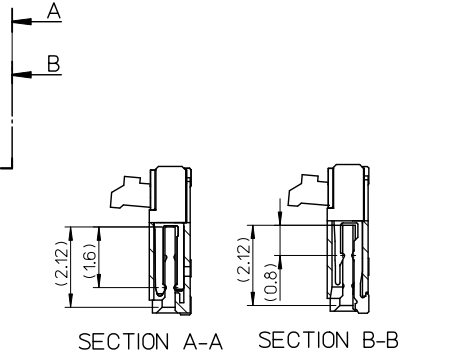
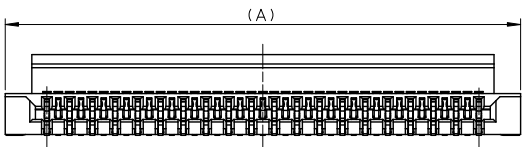
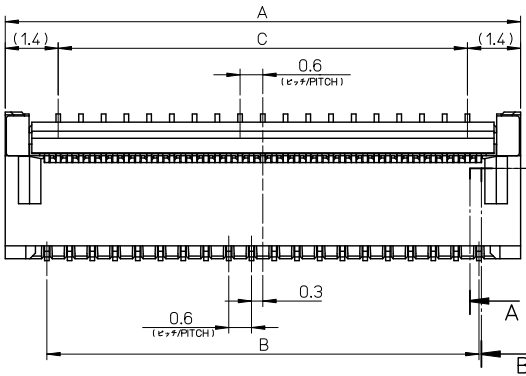
Click to view price, real time Inventory, Delivery & Lifecycle Information:

[Molex Connector Corporation](#)  
[5023503900](#)

For any questions, you can email us directly:

[sales@integrated-circuit.com](mailto:sales@integrated-circuit.com)

10 9 8 7 6 5 4 3 2 1



斜視図  
SCALE 5:1

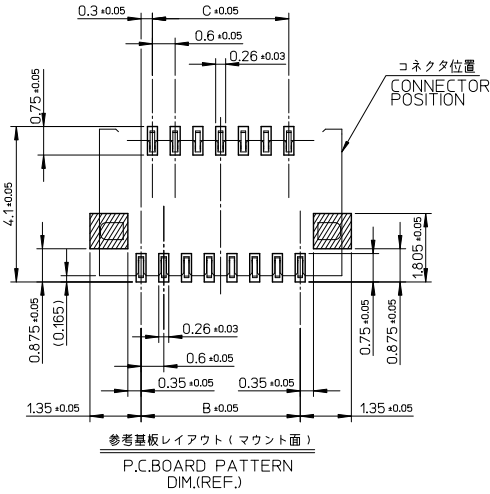
部品構成  
PART COMPOSITION

- ハウジング: 液晶ポリマー(LCP),  
ガラス充填, UL94 V-0, ナチュラル(白)  
HOUSING: LIQUID CRYSTAL POLYMER (LCP),  
GLASS FILLED, UL94 V-0, NATURAL (WHITE)
- 奇数ターミナル: 銅合金  
ODD TERMINAL: COPPER ALLOY  
処理: ニッケル下地 部分金メッキ ニッケルストライプ(バリア)  
FINISH : PARTLY GOLD  
OVER NICKEL PLATING  
NI STRIPE(BARRIER)
- 偶数ターミナル: 銅合金  
EVEN TERMINAL: COPPER ALLOY  
処理: ニッケル下地 部分金メッキ ニッケルストライプ(バリア)  
FINISH : PARTLY GOLD  
OVER NICKEL PLATING  
NI STRIPE(BARRIER)
- アクチュエータ: ポリアミド(PA) 黒色 UL94V-0  
ACTUATOR MATERIAL :POLYAMIDE(PA) BLACK UL94-V0
- ネイル: 銅青銅  
NAIL MATERIAL: PHOSPHOR BRONZE  
処理: ニッケル下地 部分金メッキ  
FINISH : TIN OVER NICKEL PLATING
- ELV及RoHS適合品  
ELV & RoHS COMPLIANT

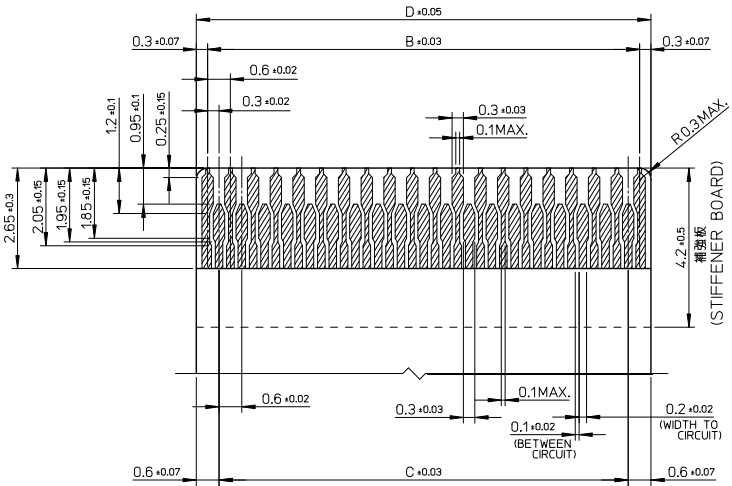
15.6	14.4	15	17.2	502350-5100	51
14.4	13.2	13.8	16.0	502350-4700	47
13.8	12.6	13.2	15.4	502350-4500	45
12.6	11.4	12	14.2	502350-4100	41
12	10.8	11.4	13.6	502350-3900	39
11.4	10.2	10.8	13	502350-3700	37
10.2	9	9.6	11.8	502350-3300	33
9.6	8.4	9	11.2	502350-3100	31
7.2	6	6.6	8.8	502350-2300	23
6	4.8	5.4	7.6	502350-1900	19
4.8	3.6	4.2	6.4	502350-1500	15
D	C	B	A	EMBOSSED PACKAGE	極数
				オーダー番号 ORDER NO.	CIRCUITS

REVISED EC NO. J2011-0598 DRAWN: SHIRATA 2010/10/19 CHKD: TAKAHASHI 2010/10/19 APPR: MORIKAWA 2010/10/25	GENERAL TOLERANCES (UNLESS SPECIFIED)		DIMENSION STYLE	SCALE	DESIGN UNITS	THIRD ANGLE PROJECTION
			MM ONLY	10:1	METRIC	
	10 UNDER	± 0.2	DRAWN BY	DATE	TITLE	
	10 OVER 30 UNDER	± 0.25	T. HIRAYAMA	2009/01/05	0.3 FPC CONN. E/O H=1.1 HOUSING ASSY WITH GUIDE	
30 OVER	± 0.3	CHECKED BY	DATE	MOLEX INCORPORATED		
ANGULAR	± 3 °	N. MATSUURA	2009/01/05	MATERIAL NO.		
DRAFT WHERE APPLICABLE MUST REMAIN WITHIN DIMENSIONS		APPROVED BY	DATE	DOCUMENT NO.		
		KMORI KAWA	2010/10/25	SD-502350-001		
		SEE CHART		SHEET NO.		
		SIZE A3		1 OF 2		
		THIS DRAWING CONTAINS INFORMATION THAT IS PROPRIETARY TO MOLEX INCORPORATED AND SHOULD NOT BE USED WITHOUT WRITTEN PERMISSION				

10 9 8 7 6 5 4 3 2 1

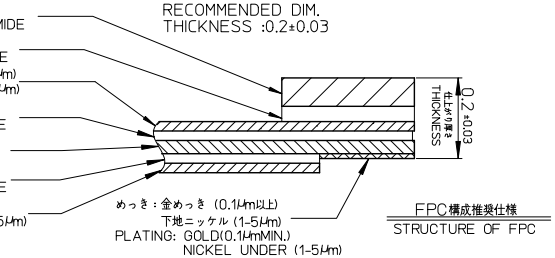


参考基板レイアウト (マウント面)  
P.C. BOARD PATTERN DIM.(REF.)  
推奨メタルマスク厚さ: 0.1mm  
RECOMMENDED METAL MASK THICKNESS: 0.1mm  
推奨開口率: 100%  
APERTURE RATE: 100%



適合FPC推奨寸法  
仕上がり厚さ: 0.2±0.03  
APPLY FPC  
RECOMMENDED DIM.  
THICKNESS: 0.2±0.03

補強板: ポリイミド  
REINFORCE BOARD: POLYIMIDE  
熱硬化接着剤  
THERMOSETTING ADHESIVE  
ベースフィルム: ポリイミド (25μm)  
BASE FILM: POLYIMIDE(25μm)  
熱硬化接着剤  
THERMOSETTING ADHESIVE  
導体部: 銅箔 (35μm)  
COPPER FOIL (35μm)  
熱硬化接着剤  
THERMOSETTING ADHESIVE  
カバーレイ: ポリイミド (25μm)  
COVER FILM: POLYIMIDE(25μm)

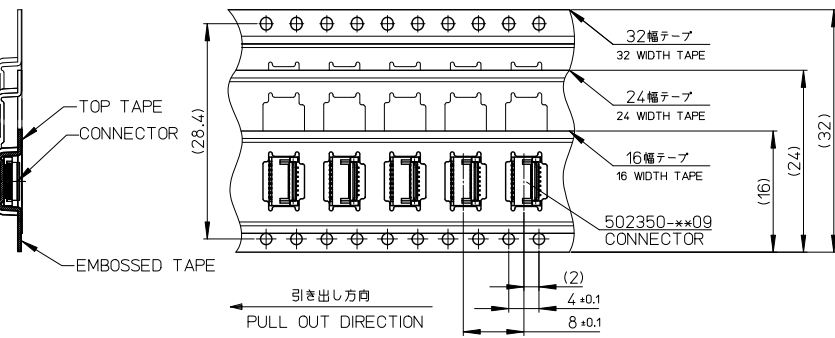
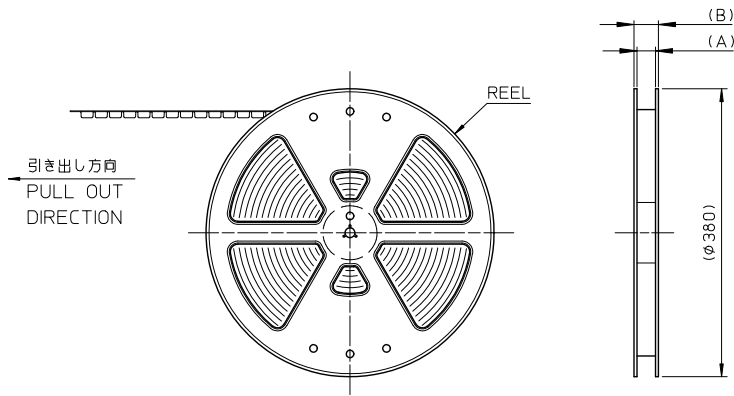


注記  
NOTE

- 基板実装前にアクチュエータを操作しないで下さい。  
PLEASE DO NOT OPERATE THE ACTUATOR BEFORE MOUNTING.
  - 必ず基板に実装してからアクチュエータを操作して下さい。  
PLEASE OPERATE THE ACTUATOR AFTER MOUNTING ON THE SUBSTRATE.
  - FPCについて  
ABOUT FPC  
補強フィルム材質はポリイミドを推奨します。ベースフィルムは25μmを推奨します。  
接着剤は熱硬化接着剤を推奨します。  
尚、接着剤の接点部への付着は導通不良の原因になりますので、染み出しが無い様、お願い致します。  
RECOMMENDED STIFFENER MATERIAL: POLYIMIDE  
RECOMMENDED BASE FILM THICKNESS: 25 MICROMETER  
RECOMMENDED ADHESIVE: THERMOSETTING ADHESIVE  
NOTE: PLEASE PUT APPROPRIATE AMOUNT OF ADHESIVE ON ADHEREND BECAUSE THERE IS A POSSIBILITY THAT THE EXTRA ADHESIVE CAUSES THE DEFECT IN ELECTRICAL CONTINUITY.
  - 打抜き方向は導体側から補強板側を推奨致します。  
導体部については軟銅箔35μmまたは450μmを推奨致します。  
RECOMMENDED PUNCHER DIRECTION:  
FROM CONDUCTOR SIDE TO STIFFENER FILM SIDE.  
RECOMMENDED CONDUCTOR SPECIFICATION:  
THICKNESS OF SOFT COPPER FOIL: 35MICROMETER OR 50 MICROMETER
4. 平坦度は0.1以下  
COPLANARITY TO BE 0.1 MAXIMUM

REVISED EC NO. J2011-0598 DRAWN: SHIRATA 2010/10/19 CHK: KAKIHASHI 2010/10/19 APPR: MORIKAWA 2010/10/25	GENERAL TOLERANCES (UNLESS SPECIFIED)		DIMENSION STYLE MM ONLY	SCALE 10:1	DESIGN UNITS METRIC	THIRD ANGLE PROJECTION
	10 UNDER	± 0.2	DRAWN BY T. HIRAYAMA	DATE 2009/01/05	TITLE 0.3 FPC CONN. E/O H=1.1 HOUSING ASSY WITH GUIDE	
	10 OVER 30 UNDER	± 0.25	CHECKED BY N. MATSUURA	DATE 2009/01/05	MOLEX INCORPORATED	
	30 OVER	± 0.3	APPROVED BY KMORI KAWA	DATE 2010/10/25	DOCUMENT NO. SD-502350-001	SHEET NO. 2 OF 2
	ANGULAR	± 3 °	MATERIAL NO. SEE CHART1			
	DRAFT WHERE APPLICABLE MUST REMAIN WITHIN DIMENSIONS		THIS DRAWING CONTAINS INFORMATION THAT IS PROPRIETARY TO MOLEX INCORPORATED AND SHOULD NOT BE USED WITHOUT WRITTEN PERMISSION			

10 9 8 7 6 5 4 3 2 1



エンボステープ内の製品の向き  
DIRECTION OF CONNECTOR IN  
EMBOSSSED TAPE

**NOTES**

- 製品 (502350-\*\*09) の詳細寸法については、図面 SD-502350-001をご参照下さい。  
IN THE PACKAGE, PART NO. 502350-\*\*09 DETAILED DIMENSIONS. REFER TO SALES DRAWING NO. SD-502350-001.
- 梱包数量 : 3000 個/リール  
NUMBER OF CONNECTORS : 3000 PCS/REEL
- リードテープ長さ  
LEAD TAPE LENGTH  

トップテープ未接着部 TOP TAPE NON-BONDED PART	25×10 PCS	100 MIN. PCS	トップテープ接着部 TOP TAPE BONDED PART (空きエンボス) (EMPTY)
引き出し方向 PULL OUT DIRECTION	トップテープ リーダー部 TOP TAPE LEADER PART	部品挿入部 COMPONENT SUPPLIER	未接着部 (空部) TAL PART (EMPTY)
	400 MIN.		160 MIN.
- 材料  
キャリアテープ : ポリスチレン (PS)  
トップテープ : PET, OTHER  
リール : ポリスチレン (PS) <リサイクル材を含む>  
MATERIAL  
CARRIER TAPE : POLYSTYRENE(PS)  
TOP TAPE : PET, OTHER  
REEL : POLYSTYRENE(PS)  
<RECYCLE MATERIAL CONTAINED>
- ELV及びRoHS適合品  
ELV AND RoHS COMPLIANT
- トップテープの剥離強度については、IEC60286-3に準拠  
Top tape peel force is defined by IEC60286-3.

37.4	33.4	32	502350-5100	51
			502350-4700	47
			502350-4500	45
			502350-4100	41
			502350-3900	39
29.4	25.4	24	502350-3700	37
			502350-3300	33
			502350-3100	31
			502350-2300	23
			502350-1900	19
21.4	17.4	16	502350-1500	15
B	A	WIDTH TAPE	EMBOSSSED PACKAGE オーダー番号 ORDER NO.	CIRCUIT

REVISED EC NO. J2011-0598 DRAWN: SHIRATA 2010/10/19 CHKD: TAKAHASHI 2010/10/19 APPR: MORIKAWA 2010/10/25	GENERAL TOLERANCES (UNLESS SPECIFIED)		DIMENSION STYLE MM ONLY		SCALE ---	DESIGN UNITS METRIC	MODEL NO.	
	10 UNDER	± 0.2	DRAWN BY T. HIRAYAMA		DATE 2009/01/05	TITLE 0.3 FPC CONN. H=1.1 EMBSTP PKG		
	10 OVER 30 UNDER	± 0.25	CHECKED BY N. MATSUURA		DATE 2009/01/05	MATERIAL NO. MOLEX INCORPORATED		
	30 OVER	± 0.3	APPROVED BY KMORIKAWA		DATE 2010/10/25	DOCUMENT NO. SD-502350-002	SHEET NO. 1 OF 1	
ANGULAR ± 3 °		DRAFT WHERE APPLICABLE MUST REMAIN WITHIN DIMENSIONS		SEE CHART		THIS DRAWING CONTAINS INFORMATION THAT IS PROPRIETARY TO MOLEX INCORPORATED AND SHOULD NOT BE USED WITHOUT WRITTEN PERMISSION		

9 8 7 6 5 4 3 2 1 EN-02JA(021)