

Excellent Integrated System Limited

Stocking Distributor

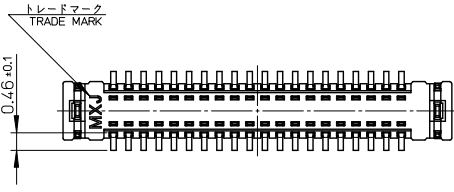
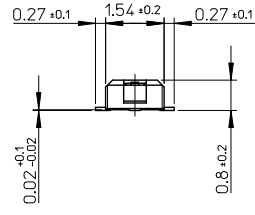
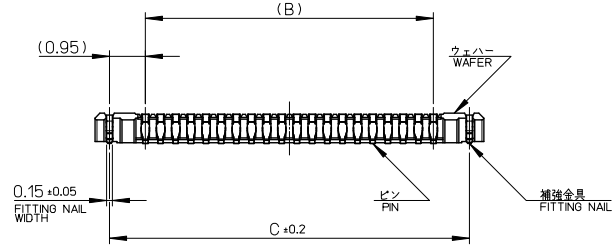
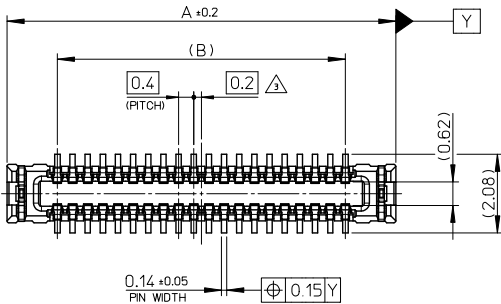
Click to view price, real time Inventory, Delivery & Lifecycle Information:

[Molex Connector Corporation](#)
[5024303010](#)

For any questions, you can email us directly:

sales@integrated-circuit.com

10 9 8 7 6 5 4 3 2 1

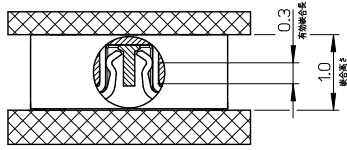


17.5	15.6	18.26	502430-8010	80
14.3	12.4	15.06	502430-6410	64
13.5	11.6	14.26	502430-6010	60
11.5	9.6	12.26	502430-5010	50
10.3	8.4	11.06	502430-4410	44
9.5	7.6	10.26	502430-4010	40
8.3	6.4	9.06	502430-3410	34
7.9	6.0	8.66	502430-3210	32
7.5	5.6	8.26	502430-3010	30
6.7	4.8	7.46	502430-2610	26
6.3	4.4	7.06	502430-2410	24
5.9	4.0	6.66	502430-2210	22
5.5	3.6	6.26	502430-2010	20
4.3	2.4	5.06	502430-1410	14
C	B	A	EMBOSSED PACKAGE オーダー番号 ORDER No.	極数 CIRCUITS

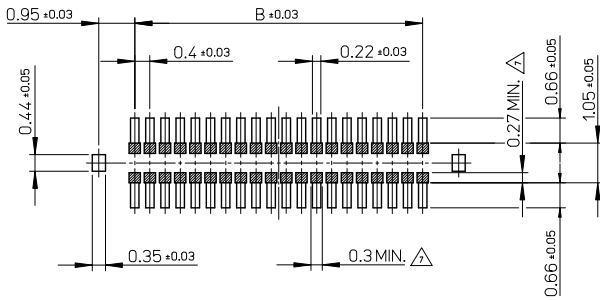
REVISED IEC NO. J2010-0990 DRAWN: SUZUKI 01 2009/11/09 CHKD: HIRATA 2009/11/09 APPR: MSASAO 2009/11/10 H	GENERAL TOLERANCES (UNLESS SPECIFIED)	DIMENSION STYLE MM ONLY	SCALE 10:1	DESIGN UNITS METRIC	THIRD ANGLE PROJECTION	
	10 UNDER ± -- 10 OVER 30 UNDER ± --- 30 OVER ± --- ANGULAR ± --- °	DRAFT WHERE APPLICABLE MUST REMAIN WITHIN DIMENSIONS	DRAWN BY RTAKEUCHI 2007/10/03 CHECKED BY MSASAO 2007/10/03 APPROVED BY MSASAO 2007/10/03 MATERIAL NO. SEE TABLE	DATE 2007/10/03	TITLE 0.4 B-TO-B CONN. HGT=1.0 W=2.6 PLUG ASSY	MOLEX INCORPORATED
	THIS DRAWING CONTAINS INFORMATION THAT IS PROPRIETARY TO MOLEX INCORPORATED AND SHOULD NOT BE USED WITHOUT WRITTEN PERMISSION			DOCUMENT NO. SD-502430-001	SHEET NO. 1 OF 2	CONNECTOR SERIES No. 502430-***19
						EN-02DA(021)

9 8 7 6 5 4 3 2 1

10 9 8 7 6 5 4 3 2 1



嵌合断面図 (参考)
MATED DRAWING (REFERENCE)



P.C. BOARD PATTERN LAYOUT
(REFERENCE)

注記 NOTES

1. 使用材料 MATERIAL
 ウェハ: 液晶ポリマー (LCP) ガラス充填 UL94V-0 (黒)
 WAFER LIQUID CRYSTAL POLYMER/GLASS FILLED UL94V-0 (COLOR:BLACK)
 ピン: りん青銅 (t=0.08)
 PIN: PHOSPHOR BRONZE (t=0.08)
 金具: りん青銅 (t=0.15)
 FITTING NAIL: PHOSPHOR BRONZE (t=0.15)

2. メッキ仕様 PLATING
 ピン PIN
 金メッキ: 0.1 マイクロメートル以上
 GOLD 0.1MICROMETER MINIMUM
 下地メッキ: ニッケルメッキ 1.0 マイクロメートル以上
 UNDER PLATING: NICKEL 1.0MICROMETER MINIMUM
 ※コンタクト部とテール部はニッケルメッキによって分断されている金メッキです。
 DIVIDE INTO PARTS THE GOLD PLATING OF THE CONTACT AND THE TAIL PART BY THE NICKEL PLATING.
 ※封孔処理品

- 金具 FITTING NAIL
 フラッシュ金メッキ
 FLASH Au PLATING
 下地メッキ: ニッケルメッキ 1.0 マイクロメートル以上
 UNDER PLATING: NICKEL 1.0MICROMETER MINIMUM

△ (全極数 / 2) = 偶数の場合に適用。
 APPLY FOR (CIRCUIT/2)=EVEN.

4. 嵌合相手: 502426 シリーズ
 MATE WITH: 502426 SERIES.

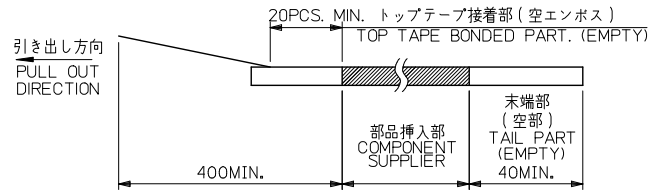
5. テール平坦度は、0.08 以下
 テール及び金具の平坦度は、0.1 以下
 TAIL COPLANARITY TO BE 0.08MAXIMUM.
 TAIL AND FITTING NAIL COPLANARITY TO BE 0.1MAXIMUM.

6. ELV 及び RoHS 適合品
 ELV AND ROHS COMPLIANT.
 △ 斜線部はパターン書込み禁止範囲と半田禁止範囲を示す。
 ただし、斜線部に同一配線を配置する場合はレジストを施し、この部分に半田は無きこと。
 NO PATTERN CIRCUIT AND NO SOLDER ALLOWED IN THE SHADED AREA.
 HOWEVER, IF NEEDED TO ADD A TRACE OF THE SAME CIRCUIT, PUT THE SOLDER-RESIST,
 YET NO SOLDER ALLOWED IN THE AREA.

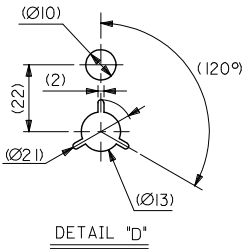
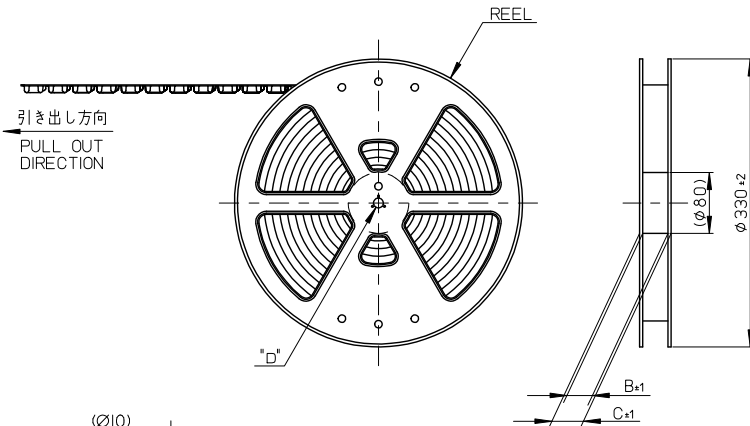
REVISED EC NO: J2010-0990 DRAWN: SUZUKI 01 2009/11/09 CHKD: HIRATA 2009/11/09 APPR: MSASAO 2009/11/10 REV H	GENERAL TOLERANCES (UNLESS SPECIFIED)		DIMENSION STYLE MM ONLY	SCALE 10:1	DESIGN UNITS METRIC	THIRD ANGLE PROJECTION
	10 UNDER	±---	DRAWN BY RTAKEUCHI	DATE 2007/10/03	TITLE 0.4 B-TO-B CONN. HGT=1.0 W=2.6 PLUG ASSY	
	10 OVER	±---	CHECKED BY MSASAO	DATE 2007/10/03	MOLEX INCORPORATED	
	30 OVER	±---	APPROVED BY MSASAO	DATE 2007/10/03	MATERIAL NO. SEE SHEET 1	DOCUMENT NO. SD-502430-001
ANGULAR ±---			THIS DRAWING CONTAINS INFORMATION THAT IS PROPRIETARY TO MOLEX INCORPORATED AND SHOULD NOT BE USED WITHOUT WRITTEN PERMISSION			
DRAFT WHERE APPLICABLE MUST REMAIN WITHIN DIMENSIONS						

注記 NOTES

- 製品詳細寸法については製品単体図面を参照下さい。
FOR DETAIL OF CONNECTOR DIMENSIONS,
PLEASE SEE THE DRAWING OF CONNECTOR ITSELF (NOT PACKAGED).
- 梱包数量: 3000 個/リール
NUMBER OF CONNECTORS: 3000PCS/REEL
- リードテープ長さ LEAD TAPE LENGTH

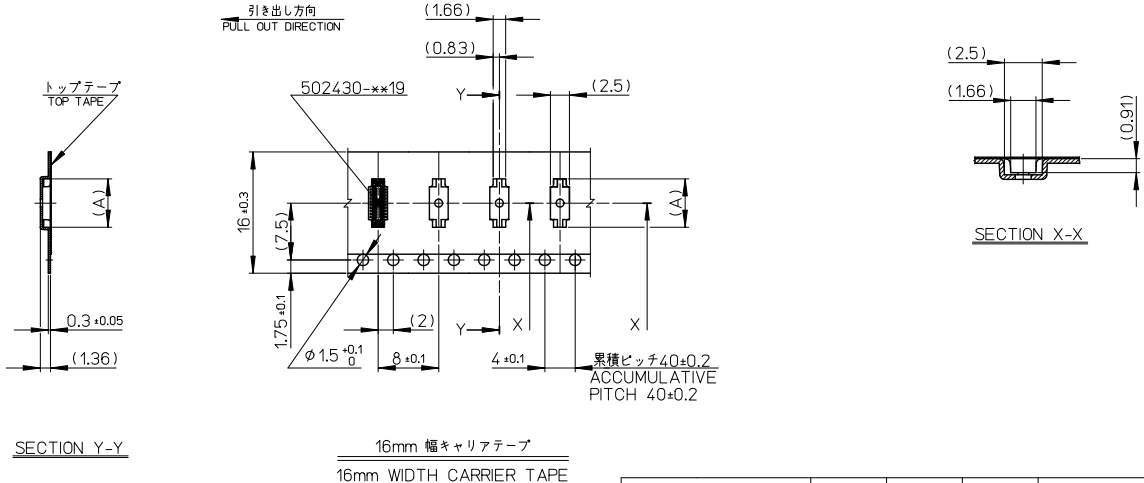


- 材料 MATERIAL
キャリアテープ (CARRIER TAPE): ポリスチレン (POLYSTYRENE)
トップテープ (TOP TAPE): PET, OTHER
リール (REEL): ポリスチレン (PS) <リサイクル材を含む>
POLYSTYRENE (PS) <RECYCLE MATERIAL CONTAINED>
- ELV 及び RoHS 適合品
ELV AND RoHS COMPLIANT



REVISED EC NO: J2010-0990 DRAWN: SUZUKI 01 2009/11/09 CHKD: THIRATA 2009/11/09 APPR: MSASAO 2009/11/10 REV H	GENERAL TOLERANCES (UNLESS SPECIFIED)	DIMENSION STYLE MM ONLY	SCALE ---	DESIGN UNITS METRIC	MODEL NO. 502430-**10	THIRD ANGLE PROJECTION
	10 UNDER ±---	DRAWN BY RTAKEUCHI	DATE 2007/10/03	TITLE 0.4 B-TO-B CONN. HGT=1.0 PLUG ASSY EMBSTP PKG	MOLEX INCORPORATED	
	10 OVER 30 UNDER ±---	CHECKED BY MSASAO	DATE 2007/10/03	MATERIAL NO. SEE TABLE	DOCUMENT NO. SD-502430-002	SHEET NO. 1 OF 4
	30 OVER ±---	APPROVED BY MSASAO	DATE 2007/10/03	THIS DRAWING CONTAINS INFORMATION THAT IS PROPRIETARY TO MOLEX INCORPORATED AND SHOULD NOT BE USED WITHOUT WRITTEN PERMISSION		
ANGULAR ±---		DRAFT WHERE APPLICABLE MUST REMAIN WITHIN DIMENSIONS				

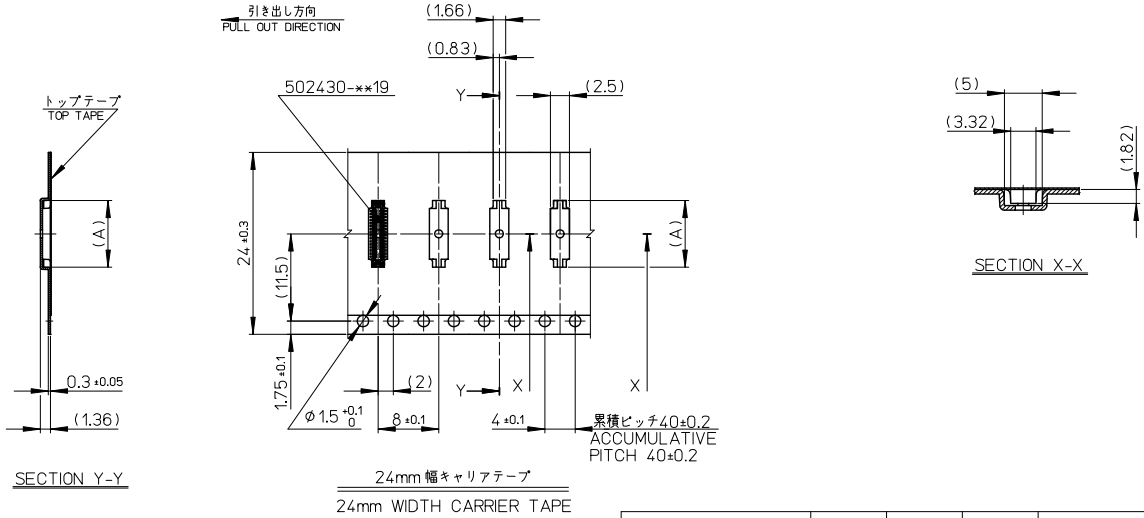
10 9 8 7 6 5 4 3 2 1



16	21.4	17.4	7.58	502430-2610	26
			7.18	502430-2410	24
			6.78	502430-2210	22
			6.38	502430-2010	20
			5.18	502430-1410	14
キャリアテープ幅 CARRIER TAPE WIDTH			C	B	(A)
			MATERIAL No.	CKT.	
			MODEL No.	502430-**-10	

REVISED EC NO. J2010-0990 DRAWN: SUZUKI 01 2009/11/09 CHKD: THIRATA 2009/11/09 APPR: MSASAO 2009/11/10 REV H	DESCRIPTION	GENERAL TOLERANCES (UNLESS SPECIFIED)	DIMENSION STYLE MM ONLY	SCALE ---	DESIGN UNITS METRIC	THIRD ANGLE PROJECTION
	10 UNDER	±---	DRAWN BY RTAKEUCHI	DATE 2007/10/03	TITLE 0.4 B-TO-B CONN. HGT=1.0 PLUG ASSY EMBSTP PKG	
	10 OVER	±---	CHECKED BY MSASAO	DATE 2007/10/03	MOLEX INCORPORATED	
	30 OVER	±---	APPROVED BY MSASAO	DATE 2007/10/03	MATERIAL NO. SEE TABLE	
	ANGULAR	±---	DRAFT WHERE APPLICABLE MUST REMAIN WITHIN DIMENSIONS		DOCUMENT NO. SD-502430-002	SHEET NO. 2 OF 4

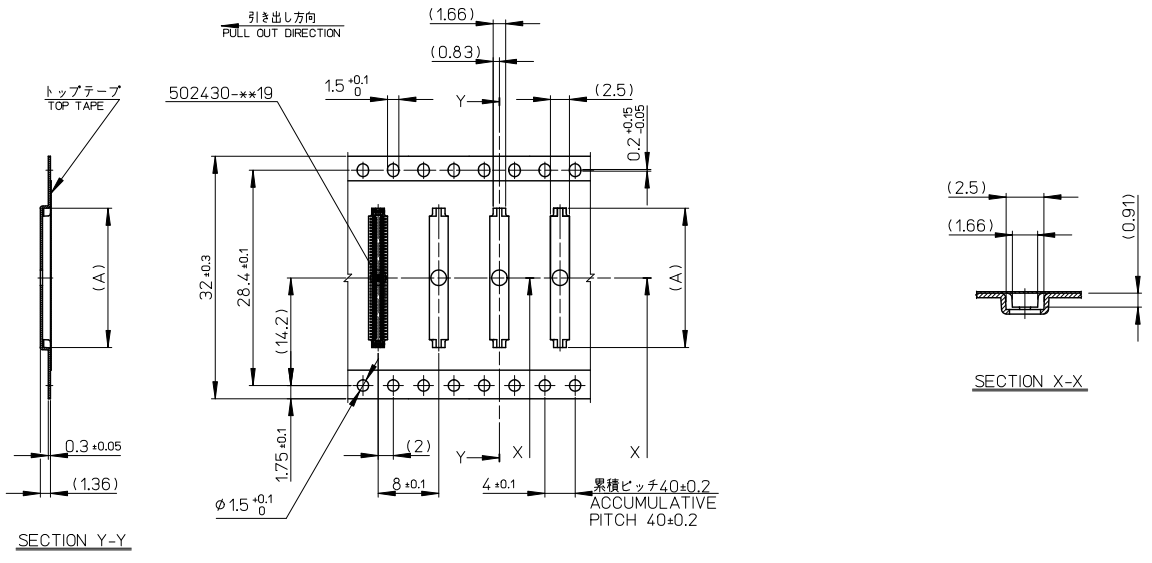
10 9 8 7 6 5 4 3 2 1



24	29.4	25.4	15.18	502430-6410	64
			14.38	502430-6010	60
			12.38	502430-5010	50
			11.18	502430-4410	44
			10.38	502430-4010	40
			9.18	502430-3410	34
			8.78	502430-3210	32
8.38	502430-3010	30			
キャリアテープ幅 CARRIER TAPE WIDTH			(A)	MATERIAL No.	CKT.
			(A)	MODEL No.	502430-**-10

REVISED IEC NO. J2010-0990 DRAWN: TSUZUKI 01 2009/11/09 CHKD: THIRATA 2009/11/09 APPR: MSASAO 2009/11/10 REV H	GENERAL TOLERANCES (UNLESS SPECIFIED)	DIMENSION STYLE MM ONLY	SCALE ---	DESIGN UNITS METRIC	THIRD ANGLE PROJECTION
	10 UNDER	±---	DRAWN BY RTAKEUCHI	DATE 2007/10/03	TITLE 0.4 B-TO-B CONN. HGT=1.0 PLUG ASSY EMBSTP PKG
	10 OVER 30 UNDER	±---	CHECKED BY MSASAO	DATE 2007/10/03	MOLEX INCORPORATED MATERIAL NO. SEE TABLE DOCUMENT NO. SD-502430-002
	30 OVER	±---	APPROVED BY MSASAO	DATE 2007/10/03	
	ANGULAR	±---	DRAFT WHERE APPLICABLE MUST REMAIN WITHIN DIMENSIONS		
THIS DRAWING CONTAINS INFORMATION THAT IS PROPRIETARY TO MOLEX INCORPORATED AND SHOULD NOT BE USED WITHOUT WRITTEN PERMISSION			SHEET NO. 3 OF 4		

10 9 8 7 6 5 4 3 2 1



32mm 幅キャリアテープ
32mm WIDTH CARRIER TAPE

32	37.4	33.4	18.38	502430-8010	80
キャリアテープ幅 CARRIER TAPE WIDTH			C	B	(A)
				MATERIAL No.	CKT.
				MODEL No.	502430-**-10

REVISED IEC NO. J2010-0990 DRAWN: SUZUKI 01 2009/11/09 CHKD: THIRATA 2009/11/09 APPR: MSASAO 2009/11/10 H	GENERAL TOLERANCES (UNLESS SPECIFIED)	DIMENSION STYLE MM ONLY	SCALE ---	DESIGN UNITS METRIC	THIRD ANGLE PROJECTION
	10 UNDER ±---	DRAWN BY RTAKEUCHI	DATE 2007/10/03	TITLE 0.4 B-TO-B CONN. HGT=1.0 PLUG ASSY EMBSTP PKG	
	10 OVER 30 UNDER ±---	CHECKED BY MSASAO	DATE 2007/10/03	MOLEX INCORPORATED	
	30 OVER ±---	APPROVED BY MSASAO	DATE 2007/10/03	DOCUMENT NO. SD-502430-002	
	ANGULAR ±---	MATERIAL NO.	SEE TABLE	SHEET NO. 4 OF 4	
DRAFT WHERE APPLICABLE MUST REMAIN WITHIN DIMENSIONS		THIS DRAWING CONTAINS INFORMATION THAT IS PROPRIETARY TO MOLEX INCORPORATED AND SHOULD NOT BE USED WITHOUT WRITTEN PERMISSION			