



Distributor of Molex Connector Corporation: Excellent Integrated System Limited
Datasheet of 5025840360 - Connector Receptacle 3 Position 0.059" (1.50mm) Tin Surface
Mount

Contact us: sales@integrated-circuit.com Website: www.integrated-circuit.com

Excellent Integrated System Limited

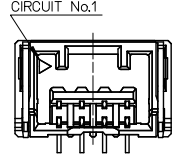
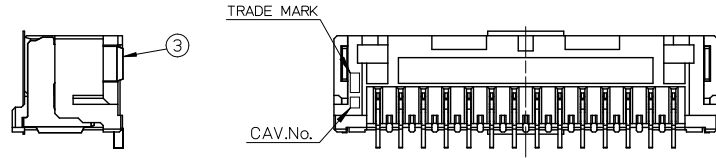
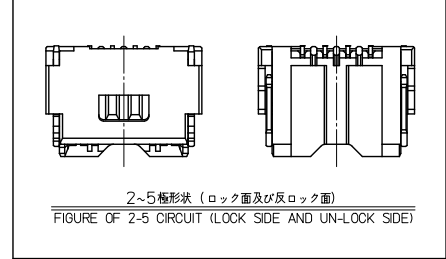
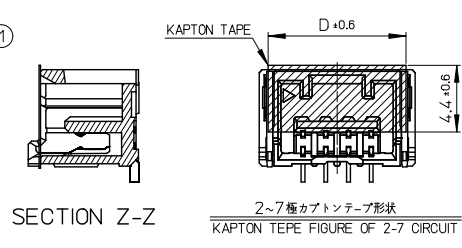
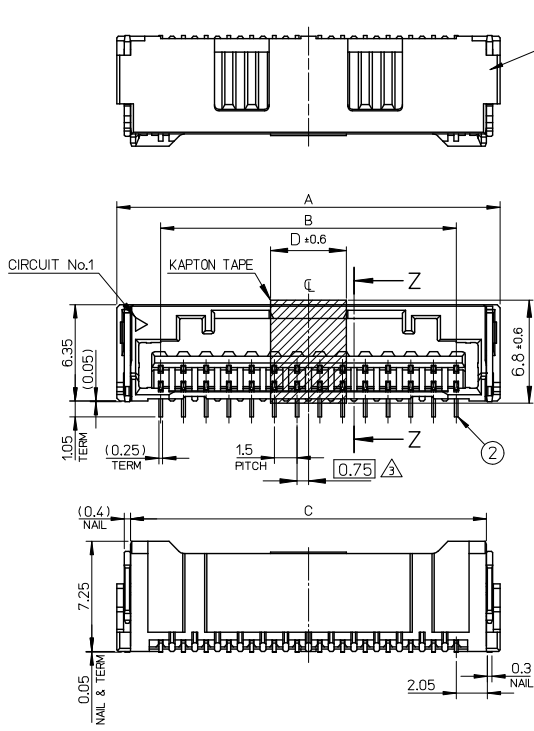
Stocking Distributor

Click to view price, real time Inventory, Delivery & Lifecycle Information:

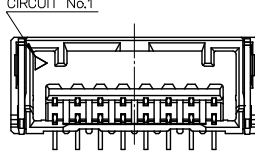
[Molex Connector Corporation](#)
[5025840360](#)

For any questions, you can email us directly:
sales@integrated-circuit.com

Contact us: sales@integrated-circuit.com Website: www.integrated-circuit.com



2~5 極の場合
CASE OF 2-5 CIRCUIT



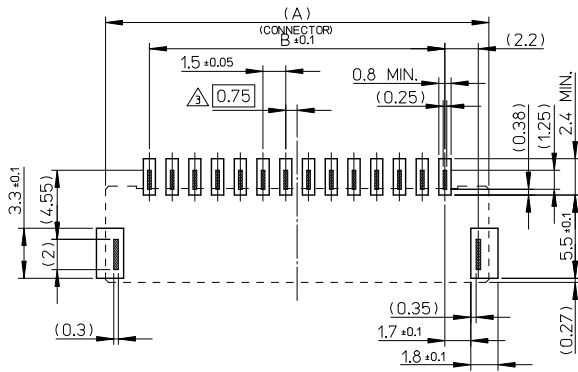
6~11 極の場合
CASE OF 6-11 CIRCUIT

5	25	21	26.8	502584 -156*	15
5	23.5	19.5	25.3	-146*	14
5	22	18	23.8	-136*	13
5	20.5	16.5	22.3	-126*	12
5	19	15	20.8	-116*	11
5	17.5	13.5	19.3	-106*	10
5	16	12	17.8	-096*	9
5	14.5	10.5	16.3	-086*	8
13.6	13	9	14.8	-076*	7
12.1	11.5	7.5	13.3	-066*	6
10.6	10	6	11.8	-056*	5
9.1	8.5	4.5	10.3	-046*	4
7.6	7	3	8.8	-036*	3
6.1	5.5	1.5	7.3	502584 -026*	2

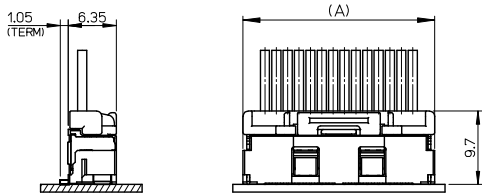
No.	部品 PART	材料 MATERIAL
①	ハウジング HOUSING	耐熱性樹脂 UL94V-0 HEATPROOF RESIN UL94V-0
②	ターミナル TERMINAL	銅合金 COPPER ALLOY 鍍めつき: 1.0 micro-meter MIN. TIN (TAIL AREA) ニッケルめっき(下地): 1.0 micro-meter MIN. NICKEL (UNDER PLATING)
③	ネイル NAIL	銅合金 COPPER ALLOY 鍍めつき: 1.0 micro-meter MIN. TIN ニッケルめっき(下地): 1.0 micro-meter MIN. NICKEL (UNDER PLATING)

REVISED REV. 1 DATE: 2013/03/25 DRAWN BY: CHIKIDAKAWA CHECKED BY: CHIKIDAKAWA APPROVED BY: YOTO	GENERAL TOLERANCES (UNLESS SPECIFIED)		DIMENSION STYLE MM ONLY		SCALE 4:1	DESIGN UNITS METRIC	THIRD ANGLE PROJECTION
	10 UNDER	± 0.2	DRAWN BY NITO	DATE 2008/07/03	1.5 MM W/B CONN. S/T REC. ASSY WITH KAPTON TAPE molex DOCUMENT NO. SD-502584-003 SHEET NO. 1 OF 3		
	10 OVER 30 UNDER	± 0.25	CHECKED BY KASAKAWA	DATE 2008/07/03			
	30 OVER	± 0.3	APPROVED BY SICHIKAWA	DATE 2008/07/03			
ANGULAR ±1 °		MATERIAL NO.	SEE TABLE				
DRAFT WHERE APPLICABLE MUST REMAIN WITHIN DIMENSIONS		THIS DRAWING CONTAINS INFORMATION THAT IS PROPRIETARY TO MOLEX INCORPORATED AND SHOULD NOT BE USED WITHOUT WRITTEN PERMISSION					

Contact us: sales@integrated-circuit.com Website: www.integrated-circuit.com



基板パターンレイアウト (参考)
RECOMMENDED P.C.B PATTERN LAYOUT (REF.)



嵌合図
MATED CONNECTORES

NOTES

1. 嵌合相手: 502578
MATE WITH 502578 SERIES
2. 端子テール部及びネールの平坦度: 0.1 MAX.
TAIL AND NAIL COPLANARITY TO BE 0.1 MAX.
- △ 極数 / 2 = 偶数に適用
APPLY FOR CIRCUIT SIZE / 2 = EVEN
4. 端子テール部及びネールに錫めっきを使用している為、
外觀に摺動痕が付く場合があります。
THE WOUND OF FRICTION MIGHT ADHERE TO EXTERNALS
BECAUSE THE TIN PLATING IS USED FOR THE TAIL AND NAIL.

5. 製品番号
MATERIAL No.
502584-****

No.	COLOR	CIRCUIT
60	ベージュ BEIGE	2~15
61	黒 BLACK	
62	赤 RED	
63	黄 YELLOW	
64	青 BLUE	
65	桃 PINK	
66	緑 GREEN	
67	茶 BROWN	
68	橙 ORANGE	
69	紫 VIOLET	

6. 本製品のプラスチック部に黒点・白点等が確認される場合や
色合いが異なる場合がありますが、製品性能に影響はありません。
THERE IS NO INFLUENCE IN THE PRODUCT
PERFORMANCE THROUGH THE BLACK AND WHITE SPOT ETC.
MIGHT BE CONFIRMED TO THE PLASTIC PART OF
THIS PRODUCT AND THE SHADE MIGHT BE DIFFERENT.
7. ELV 及び RoHS 適合品
ELV AND RoHS COMPLIANT

△ ORDER No. AND CONNECTOR SERIES No.

REVISED EC NO.: J2013-1045 DRAWN BY: NITO CHKD BY: KASAKAWA APPR: YOTO 2013/03/25 2013/03/25 2013/03/26	GENERAL TOLERANCES (UNLESS SPECIFIED)		DIMENSION STYLE MM ONLY	SCALE 4:1	DESIGN UNITS METRIC	THIRD ANGLE PROJECTION
	10 UNDER	± 0.2	DRAWN BY: NITO DATE: 2008/07/03	1.5 MM W/B CONN. S/T REC. ASSY WITH KAPTON TAPE molex		
	10 OVER 30 UNDER	± 0.25	CHECKED BY: KASAKAWA DATE: 2008/07/03			
	30 OVER	± 0.3	APPROVED BY: SICHIKAWA DATE: 2008/07/03			
ANGULAR ±1 °		MATERIAL NO. SEE TABLE		DOCUMENT NO. SD-502584-003	SHEET NO. 2 OF 3	
DRAFT WHERE APPLICABLE MUST REMAIN WITHIN DIMENSIONS		THIS DRAWING CONTAINS INFORMATION THAT IS PROPRIETARY TO MOLEX INCORPORATED AND SHOULD NOT BE USED WITHOUT WRITTEN PERMISSION				

Contact us: sales@integrated-circuit.com Website: www.integrated-circuit.com

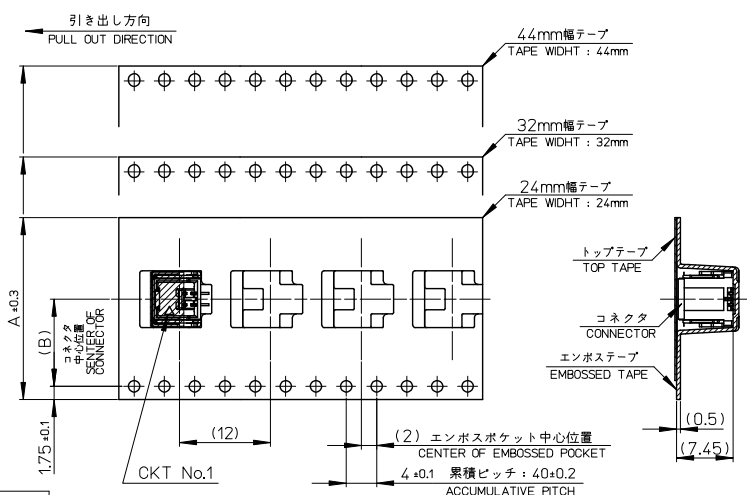
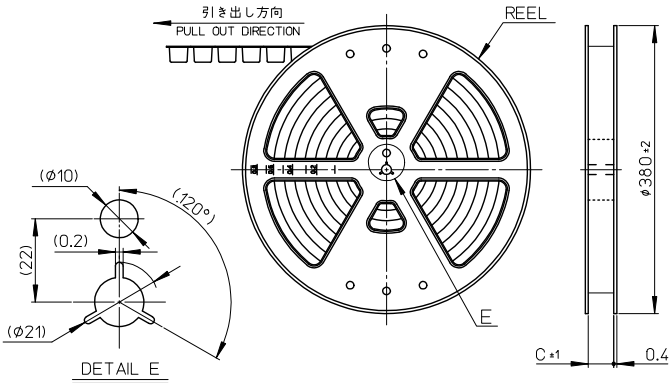
ORDER No. AND CONNECTOR SERIES No.

HSG COLOR : BLUE		HSG COLOR : YELLOW		HSG COLOR : RED		HSG COLOR : BLACK		HSG COLOR : BEIGE							
502584-1564	502584-***64	502584-1563	502584-***63	502584-1562	502584-***62	502584-1561	502584-***61	502584-1560	502584-***60	15					
502584-1464		502584-1463		502584-1462		502584-1461		502584-1460							
502584-1364		502584-1363		502584-1362		502584-1361		502584-1360							
502584-1264		502584-1263		502584-1262		502584-1261		502584-1260							
502584-1164		502584-1163		502584-1162		502584-1161		502584-1160							
502584-1064		502584-1063		502584-1062		502584-1061		502584-1060							
502584-0964		502584-0963		502584-0962		502584-0961		502584-0960							
502584-0864		502584-0863		502584-0862		502584-0861		502584-0860							
502584-0764		502584-0763		502584-0762		502584-0761		502584-0760							
502584-0664		502584-0663		502584-0662		502584-0661		502584-0660							
502584-0564		502584-0563		502584-0562		502584-0561		502584-0560							
502584-0464		502584-0463		502584-0462		502584-0461		502584-0460							
502584-0364		502584-0363		502584-0362		502584-0361		502584-0360							
502584-0264		502584-0263		502584-0262		502584-0261		502584-0260		2					
EMBOSSED TAPE PACKAGE オーダー番号ORDER No.		コネクタシリーズ CONNECTOR SERIES		EMBOSSED TAPE PACKAGE オーダー番号ORDER No.		コネクタシリーズ CONNECTOR SERIES		EMBOSSED TAPE PACKAGE オーダー番号ORDER No.		コネクタシリーズ CONNECTOR SERIES	EMBOSSED TAPE PACKAGE オーダー番号ORDER No.	コネクタシリーズ CONNECTOR SERIES	EMBOSSED TAPE PACKAGE オーダー番号ORDER No.	コネクタシリーズ CONNECTOR SERIES	極数 (XT, NO.)

HSG COLOR : VIOLET		HSG COLOR : ORANGE		HSG COLOR : BROWN		HSG COLOR : GREEN		HSG COLOR : PINK							
502584-1569	502584-***69	502584-1568	502584-***68	502584-1567	502584-***67	502584-1566	502584-***66	502584-1565	502584-***65	15					
502584-1469		502584-1468		502584-1467		502584-1466		502584-1465							
502584-1369		502584-1368		502584-1367		502584-1366		502584-1365							
502584-1269		502584-1268		502584-1267		502584-1266		502584-1265							
502584-1169		502584-1168		502584-1167		502584-1166		502584-1165							
502584-1069		502584-1068		502584-1067		502584-1066		502584-1065							
502584-0969		502584-0968		502584-0967		502584-0966		502584-0965							
502584-0869		502584-0868		502584-0867		502584-0866		502584-0865							
502584-0769		502584-0768		502584-0767		502584-0766		502584-0765							
502584-0669		502584-0668		502584-0667		502584-0666		502584-0665							
502584-0569		502584-0568		502584-0567		502584-0566		502584-0565							
502584-0469		502584-0468		502584-0467		502584-0466		502584-0465							
502584-0369		502584-0368		502584-0367		502584-0366		502584-0365							
502584-0269		502584-0268		502584-0267		502584-0266		502584-0265		2					
EMBOSSED TAPE PACKAGE オーダー番号ORDER No.		コネクタシリーズ CONNECTOR SERIES		EMBOSSED TAPE PACKAGE オーダー番号ORDER No.		コネクタシリーズ CONNECTOR SERIES		EMBOSSED TAPE PACKAGE オーダー番号ORDER No.		コネクタシリーズ CONNECTOR SERIES	EMBOSSED TAPE PACKAGE オーダー番号ORDER No.	コネクタシリーズ CONNECTOR SERIES	EMBOSSED TAPE PACKAGE オーダー番号ORDER No.	コネクタシリーズ CONNECTOR SERIES	極数 (XT, NO.)

REVISED EC NO. J2013-1045 T1 DRAWN BY CHIKO KASAKAWA APPR. Y. ITO 2013/03/25 2013/03/25 2013/03/26	GENERAL TOLERANCES (UNLESS SPECIFIED)		DIMENSION STYLE MM ONLY		SCALE 4:1	DESIGN UNITS METRIC	THIRD ANGLE PROJECTION		
	10 UNDER	±0.2	DRAWN BY NITO		DATE 2008/07/03		1.5 MM W/B CONN. S/T REC. ASSY WITH KAPTON TAPE 		
	10 OVER 30 UNDER	±0.25	CHECKED BY KASAKAWA		DATE 2008/07/03				
	30 OVER	±0.3	APPROVED BY SICHIKAWA		DATE 2008/07/03				
ANGULAR ±1 °		DRAFT WHERE APPLICABLE MUST REMAIN WITHIN DIMENSIONS		MATERIAL NO. SEE TABLE		DOCUMENT NO. SD-502584-003		SHEET NO. 3 OF 3	

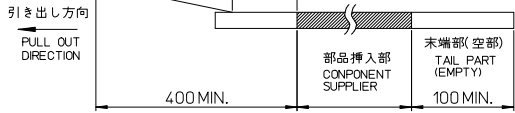
Contact us: sales@integrated-circuit.com Website: www.integrated-circuit.com



NOTES

- 製品詳細寸法については、SD-502584-003を参照下さい。
PLEASE REFER TO SD-502584-003 FOR THE DETAILED DIMENSION OF THE CONNECTOR.
- 梱包数量：900個
NUMBER OF CONNECTORS：900 PIECES/REEL.
- リードテープ長さ
LEAD TAPE LENGTH

トップテープ接着部(空エンボス)
20 PIECES MIN.
TOP TAPE BONDED PART(EMPTY)



No.	COLOR	CIRCUIT
60	ベージュ	BEIGE
61	黒	BLACK
62	赤	RED
63	黄	YELLOW
64	青	BLUE
65	桃	PINK
66	緑	GREEN
67	茶	BROWN
68	橙	ORANGE
69	紫	VIOLET

ORDER No. AND CONNECTOR SERIES No.

8. 本製品は乾燥剤入り、ハイバリア梱包仕様である。
THIS PRODUCT IS HIGH BARRIER PACKAGE WITH DESICCANT.

45.5	20.2	44	502584-156*	15	
45.5	20.2	44		-146*	14
45.5	20.2	44		-136*	13
45.5	20.2	44		-126*	12
45.5	20.2	44		-116*	11
45.5	20.2	44		-106*	10
33.5	14.2	32		-096*	9
33.5	14.2	32		-086*	8
33.5	14.2	32		-076*	7
33.5	14.2	32		-066*	6
25.5	11.5	24		-056*	5
25.5	11.5	24		-046*	4
25.5	11.5	24		-036*	3
25.5	11.5	24	502584-026*		2

- 材料
MATERIAL
キャリアテープ：ポリスチレン
CARRIER TAPE：POLYSTYRENE
トップテープ：ポリエステル、ポリエチレン、ポリエチレンテレフタレート
TOP TAPE：POLYESTER、POLYETHYLENE、POLYETHYLENE TEREPHTHALATE
リール：ポリスチレン <リサイクル材を含む>
REEL：POLYSTYRENE <RECYCLE MATERIAL CONTAINED>

5. ELV及びRoHS適合品
ELV AND RoHS COMPLIANT

製品番号
MATERIAL NO.

502584-****
極数 ↑ 色
CIRCUIT SIZE COLOR

REVISED EC NO. J2010-0624 DRAWN BY NITO CHECKED BY KASAKAWA APPROVED BY SICHIKAWA DATE 2008/07/03	GENERAL TOLERANCES (UNLESS SPECIFIED)		DIMENSION STYLE MM ONLY		SCALE ---	DESIGN UNITS METRIC	THIRD ANGLE PROJECTION
	10 UNDER	± 0.2	DRAWN BY DATE NITO 2008/07/03		TITLE EMBOSSD TAPE PACKAGE FOR 502584-**** WITH KAPTON TAPE		
	10 OVER 30 UNDER	± 0.25	CHECKED BY DATE KASAKAWA 2008/07/03		MOLEX INCORPORATED		
	30 OVER	± 0.3	APPROVED BY DATE SICHIKAWA 2008/07/03		DOCUMENT NO. SD-502584-004		
ANGULAR ±1°		DRAFT WHERE APPLICABLE MUST REMAIN WITHIN DIMENSIONS		MATERIAL NO.		SHEET NO. 1 OF 2	
SEE TABLE				THIS DRAWING CONTAINS INFORMATION THAT IS PROPRIETARY TO MOLEX INCORPORATED AND SHOULD NOT BE USED WITHOUT WRITTEN PERMISSION			

Contact us: sales@integrated-circuit.com Website: www.integrated-circuit.com

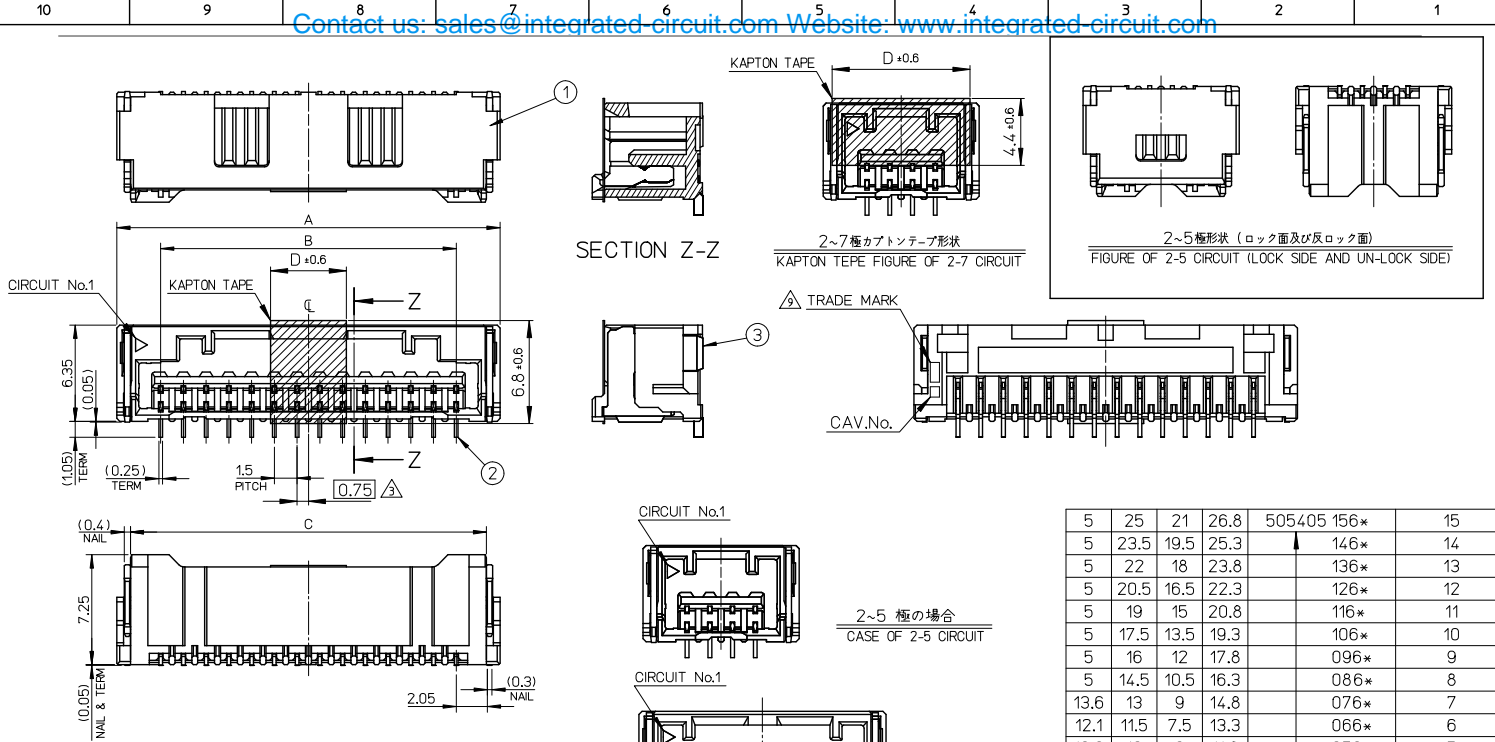
ORDER No. AND CONNECTOR SERIES No.

HSG COLOR : BLUE		HSG COLOR : YELLOW		HSG COLOR : RED		HSG COLOR : BLACK		HSG COLOR : BEIGE		
502584-***64	502584-1564	502584-***63	502584-1563	502584-***62	502584-1562	502584-***61	502584-1561	502584-***60	502584-1560	15
	502584-1464		502584-1463		502584-1462		502584-1461		502584-1460	14
	502584-1364		502584-1363		502584-1362		502584-1361		502584-1360	13
	502584-1264		502584-1263		502584-1262		502584-1261		502584-1260	12
	502584-1164		502584-1163		502584-1162		502584-1161		502584-1160	11
	502584-1064		502584-1063		502584-1062		502584-1061		502584-1060	10
	502584-0964		502584-0963		502584-0962		502584-0961		502584-0960	9
	502584-0864		502584-0863		502584-0862		502584-0861		502584-0860	8
	502584-0764		502584-0763		502584-0762		502584-0761		502584-0760	7
	502584-0664		502584-0663		502584-0662		502584-0661		502584-0660	6
	502584-0564		502584-0563		502584-0562		502584-0561		502584-0560	5
	502584-0464		502584-0463		502584-0462		502584-0461		502584-0460	4
	502584-0364		502584-0363		502584-0362		502584-0361		502584-0360	3
	502584-0264		502584-0263		502584-0262		502584-0261		502584-0260	2
コネクタ シリーズ CONNECTOR SERIES	製品番号 MATERIAL NO.	コネクタ シリーズ CONNECTOR SERIES	製品番号 MATERIAL NO.	コネクタ シリーズ CONNECTOR SERIES	製品番号 MATERIAL NO.	コネクタ シリーズ CONNECTOR SERIES	製品番号 MATERIAL NO.	コネクタ シリーズ CONNECTOR SERIES	製品番号 MATERIAL NO.	極数 EXT. NO.

HSG COLOR : VIOLET		HSG COLOR : ORANGE		HSG COLOR : BROWN		HSG COLOR : GREEN		HSG COLOR : PINK		
502584-***69	502584-1569	502584-***68	502584-1568	502584-***67	502584-1567	502584-***66	502584-1566	502584-***65	502584-1565	15
	502584-1469		502584-1468		502584-1467		502584-1466		502584-1465	14
	502584-1369		502584-1368		502584-1367		502584-1366		502584-1365	13
	502584-1269		502584-1268		502584-1267		502584-1266		502584-1265	12
	502584-1169		502584-1168		502584-1167		502584-1166		502584-1165	11
	502584-1069		502584-1068		502584-1067		502584-1066		502584-1065	10
	502584-0969		502584-0968		502584-0967		502584-0966		502584-0965	9
	502584-0869		502584-0868		502584-0867		502584-0866		502584-0865	8
	502584-0769		502584-0768		502584-0767		502584-0766		502584-0765	7
	502584-0669		502584-0668		502584-0667		502584-0666		502584-0665	6
	502584-0569		502584-0568		502584-0567		502584-0566		502584-0565	5
	502584-0469		502584-0468		502584-0467		502584-0466		502584-0465	4
	502584-0369		502584-0368		502584-0367		502584-0366		502584-0365	3
	502584-0269		502584-0268		502584-0267		502584-0266		502584-0265	2
コネクタ シリーズ CONNECTOR SERIES	製品番号 MATERIAL NO.	コネクタ シリーズ CONNECTOR SERIES	製品番号 MATERIAL NO.	コネクタ シリーズ CONNECTOR SERIES	製品番号 MATERIAL NO.	コネクタ シリーズ CONNECTOR SERIES	製品番号 MATERIAL NO.	コネクタ シリーズ CONNECTOR SERIES	製品番号 MATERIAL NO.	極数 EXT. NO.

REVISED EC NO. J2010-0624 2009/10/07 DRAWN BY CHIKIDAKAWA 2009/10/07 CHECKED BY KASAKAWA 2009/10/07 APPROVED BY SICHIKAWA 2009/10/07	GENERAL TOLERANCES (UNLESS SPECIFIED)		DIMENSION STYLE MM ONLY		SCALE ---	DESIGN UNITS METRIC	THIRD ANGLE PROJECTION		
	10 UNDER	±0.2	DRAWN BY NITO		DATE 2008/07/03	TITLE EMBOSSD TAPE PACKAGE FOR 502584-**** WITH KAPTON TAPE			
	10 OVER 30 UNDER	±0.25	CHECKED BY KASAKAWA		DATE 2008/07/03				
	30 OVER	±0.3	APPROVED BY SICHIKAWA		DATE 2008/07/03	MOLEX INCORPORATED			
	ANGULAR	±1 °	MATERIAL NO.		DOCUMENT NO.				
DRAFT WHERE APPLICABLE MUST REMAIN WITHIN DIMENSIONS		SEE TABLE		SD-502584-004		SHEET NO. 2 OF 2			

Contact us: sales@integrated-circuit.com Website: www.integrated-circuit.com

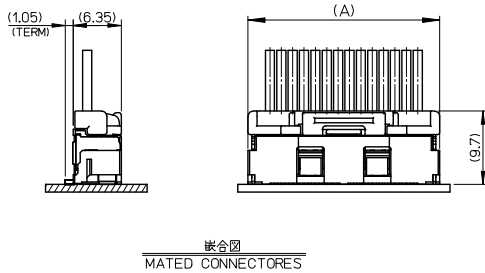
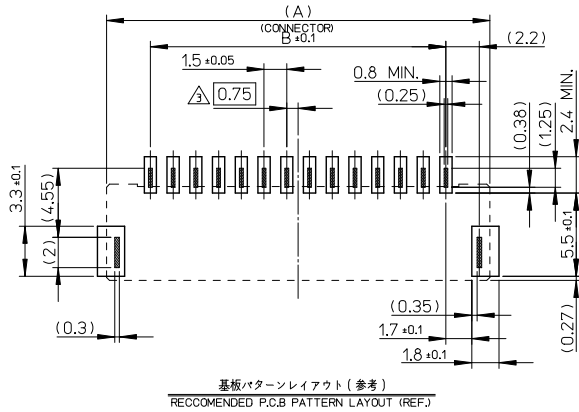


5	25	21	26.8	505405 156*	15
5	23.5	19.5	25.3	146*	14
5	22	18	23.8	136*	13
5	20.5	16.5	22.3	126*	12
5	19	15	20.8	116*	11
5	17.5	13.5	19.3	106*	10
5	16	12	17.8	096*	9
5	14.5	10.5	16.3	086*	8
13.6	13	9	14.8	076*	7
12.1	11.5	7.5	13.3	066*	6
10.6	10	6	11.8	056*	5
9.1	8.5	4.5	10.3	046*	4
7.6	7	3	8.8	036*	3
6.1	5.5	1.5	7.3	505405 026*	2

No.	部品 PART	材料 MATERIAL	
①	ハウジング HOUSING	耐熱性樹脂 UL94V-0 HEATPROOF RESIN UL94V-0	
②	ターミナル TERMINAL	銅合金 COPPER ALLOY	
		コンタクト部 CONTACT POS. テール部 TAIL POS.	金めっき: 0.2 micro-meter MIN. GOLD 錫めっき: 1.0 micro-meter MIN. TIN
		ニッケルめっき(下地): 1.0 micro-meter MIN. NICKEL (UNDER PLATING)	
③	ネイル NAIL	銅合金 COPPER ALLOY 錫めっき: 1.0 micro-meter MIN. TIN ニッケルめっき(下地): 1.0 micro-meter MIN. NICKEL (UNDER PLATING)	

RELEASED IEC NO. J2015-0528 DRAWN: TAKAIKE CHIKIDAKASAKAWA APPROX: NUKITA 2014/10/17 2015/02/16 2015/02/16	GENERAL TOLERANCES (UNLESS SPECIFIED)		DIMENSION STYLE		SCALE	DESIGN UNITS	THIRD ANGLE PROJECTION
	0.25 UNDER	UNDER	±0.03	MM ONLY	4:1	METRIC	⊙ □
	0.25 OVER	0.5 UNDER	±0.05	DRAWN BY	DATE	TITLE	
	0.5 OVER	1.0 UNDER	±0.1	TAKAIKE	2014/10/17	1.5 MM W/B CONN. S/T REC. ASSY WITH KAPTON TAPE	
1.0 OVER	10 UNDER	±0.2	CHECKED BY	DATE	DOCUMENT NO.		
10 OVER	30 UNDER	±0.25	KASAKAWA	2015/02/16	SD-505405-003		
30 OVER		±0.3	APPROVED BY	DATE	SHEET NO.	1 OF 3	
ANGULAR	±1 °		NUKITA	2015/02/16			
DRAFT WHERE APPLICABLE MUST REMAIN WITHIN DIMENSIONS			SIZE	THIS DRAWING CONTAINS INFORMATION THAT IS PROPRIETARY TO MOLEX INCORPORATED AND SHOULD NOT BE USED WITHOUT WRITTEN PERMISSION			

Contact us: sales@integrated-circuit.com Website: www.integrated-circuit.com



NOTES

1. 嵌合相手: 502578
MATE WITH: 502578 SERIES
 2. 端子テール部及びネールの平坦度: 0.1 MAX.
TAIL AND NAIL COPLANARITY TO BE 0.1 MAX.
 - △ 極数/2 = 偶数に適用
APPLY FOR CIRCUIT SIZE / 2 = EVEN
 4. 端子テール部及びネールに錫めっきを使用している。
外観に滑動痕が付く場合があります。
THE WOUND OF FRICTION MIGHT ADHERE TO EXTERNALS.
BECAUSE THE TIN PLATING IS USED FOR THE TAIL AND NAIL.
 5. 製品番号
MATERIAL No.
505405 ***
極数 色
CIRCUIT SIZE COLOR
- | No. | COLOR | CIRCUIT |
|-----|------------|---------|
| 60 | ベージュ BEIGE | 2-15 |
6. 本製品のプラスチック部に黒点・白点等が確認される場合や色合いが異なる場合がありますが、製品性能に影響はありません。
THERE IS NO INFLUENCE IN THE PRODUCT PERFORMANCE THOUGH THE BLACK AND WHITE SPOT ETC. MIGHT BE CONFIRMED TO THE PLASTIC PART OF THIS PRODUCT AND THE SHADE MIGHT BE DIFFERENT.
 7. ELV 及び RoHS 適合品
ELV AND ROHS COMPLIANT
 - △ ORDER No. AND CONNECTOR SERIES No.
 - △ トレードマーク: Mプラス 2文字の製造工場を示すアルファベットにて表示。
但し、「J」はJAPANを「L」はMALAYSIAを示す。(例 MXJ 又はMXL)
金型番号: アルファベット1文字にて表示。(例 1A, 12A, 1B, 12B)
FORMED BY M AND FROM 1 TO 2 MORE LETTER OF ALPHABET WHICH MEAN THE MANUFACTORY.
BUT 'J' MEANS JAPAN. 'L' MEANS MALAYSIA (TO TRADE MARK) (e.g. MXJ OR MXL).
AND BY 1 - 2 DIGIT NUMBER (TO CAVITY NO.)
AND BY 1 LETTER OF ALPHABET (TO MOLD NO.)(e.g. 1A, 12A, 1B, 12B).
 10. 適用プラグターミナル: 5025791*00, 5034291*00
APPLICABLE PLUG TERMINAL: 5025791*00, 5034291*00

GENERAL TOLERANCES (UNLESS SPECIFIED)				DIMENSION STYLE		SCALE	DESIGN UNITS	THIRD ANGLE PROJECTION	
				MM ONLY		4:1	METRIC		
0.25	UNDER	UNDER	±0.03	DRAWN BY	DATE	TITLE			
0.25	OVER	0.5	UNDER	TAKAIKE	2014/10/17	1.5 MM W/B CONN. S/T REC. ASSY WITH KAPTON TAPE			
0.5	OVER	1.0	UNDER	CHECKED BY	DATE				
1.0	OVER	10	UNDER	KASAKAWA	2015/02/16				
10	OVER	30	UNDER	APPROVED BY	DATE				
30	OVER		±0.3	NUKITA	2015/02/16	MATERIAL NO.		DOCUMENT NO.	SHEET NO.
ANGULAR ±1 °				SEE TABLE		SD-505405-003		2 OF 3	
DRAFT WHERE APPLICABLE MUST REMAIN WITHIN DIMENSIONS				THIS DRAWING CONTAINS INFORMATION THAT IS PROPRIETARY TO MOLEX INCORPORATED AND SHOULD NOT BE USED WITHOUT WRITTEN PERMISSION					

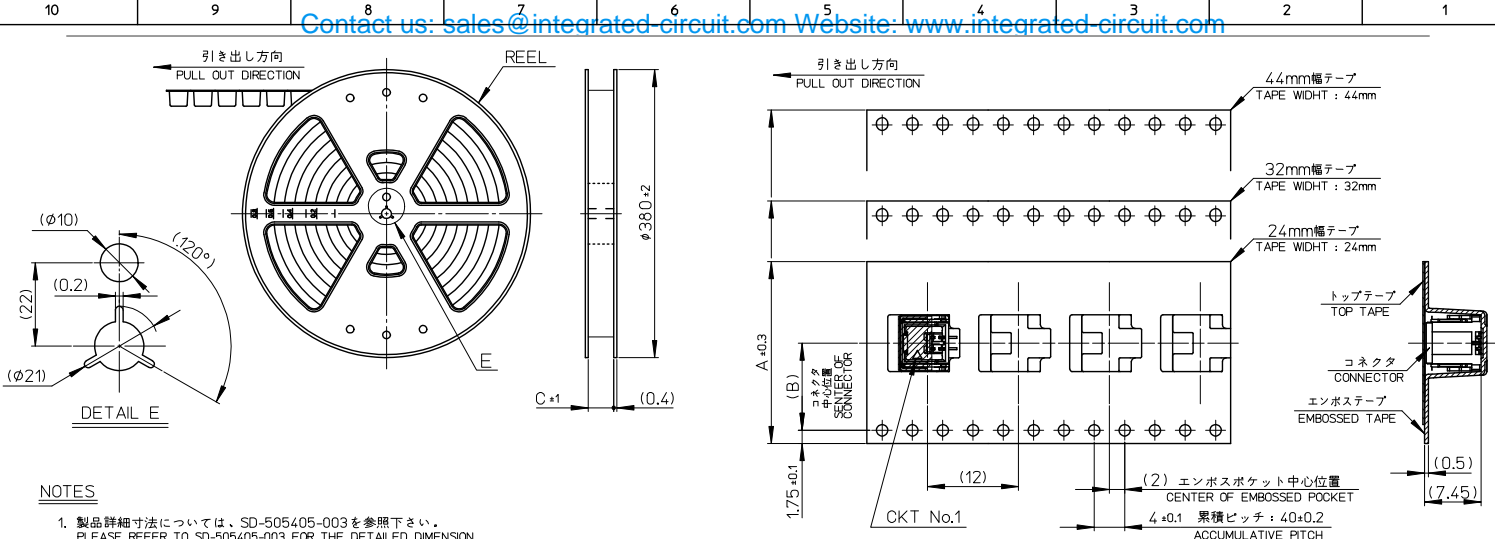
Contact us: sales@integrated-circuit.com Website: www.integrated-circuit.com

ORDER No. AND CONNECTOR SERIES No.

HSG COLOR : BEIGE		
5054051560	505405**60	15
1460		14
1360		13
1260		12
1160		11
1060		10
0960		9
0860		8
0760		7
0660		6
0560		5
0460		4
0360		3
5054050260		2
EMBOSSED TAPE PACKAGE		コネクタシリーズ
オーダー番号ORDER No.	CONNECTOR SERIES	(KT. NO.)

RELEASED EC NO: J2015-0528 2014/10/17 DRAWN: TAKAIKE 2015/02/16 CHIKIDAKAKAWA 2015/02/16 APPR: NUKITA	GENERAL TOLERANCES (UNLESS SPECIFIED)			DIMENSION STYLE		SCALE	DESIGN UNITS	THIRD ANGLE PROJECTION 1.5 MM W/B CONN. S/T REC. ASSY WITH KAPTON TAPE molex DOCUMENT NO. SD-505405-003 SHEET NO. 3 OF 3
	0.25 UNDER	UNDER	±0.03	MM ONLY		4:1	METRIC	
	0.25 OVER	0.5 UNDER	±0.05	DRAWN BY	DATE	TITLE		
	0.5 OVER	1.0 UNDER	±0.1	TAKAIKE	2014/10/17	1.5 MM W/B CONN. S/T REC. ASSY WITH KAPTON TAPE		
	1.0 OVER	10 UNDER	±0.2	CHECKED BY	DATE			
	10 OVER	30 UNDER	±0.25	KASAKAWA	2015/02/16			
30 OVER		±0.3	APPROVED BY	DATE				
ANGULAR	±1 °		NUKITA	2015/02/16				
DRAFT WHERE APPLICABLE MUST REMAIN WITHIN DIMENSIONS			MATERIAL NO.		SEE TABLE			
			SIZE	THIS DRAWING CONTAINS INFORMATION THAT IS PROPRIETARY TO MOLEX INCORPORATED AND SHOULD NOT BE USED WITHOUT WRITTEN PERMISSION				
			A3					

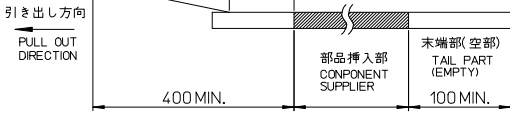
Contact us: sales@integrated-circuit.com Website: www.integrated-circuit.com



NOTES

- 製品詳細寸法については、SD-505405-003を参照下さい。
PLEASE REFER TO SD-505405-003 FOR THE DETAILED DIMENSION OF THE CONNECTOR.
- 梱包数量: 900個
NUMBER OF CONNECTORS: 900 PIECES/REEL.
- リードテープ長さ
LEAD TAPE LENGTH

トップテープ接着部(空エンボス)
20 PIECES MIN.
TOP TAPE BONDED PART(EMPTY)



No.	COLOR	CIRCUIT
60	ベージュ (BEIGE)	2~15

ORDER No. AND CONNECTOR SERIES No.

8. 本製品は乾燥剤入り、ハイバリア梱包仕様である。
THIS PRODUCT IS HIGH BARRIER PACKAGE WITH DESICCANT.

45.5	20.2	44	505405156*	15
45.5	20.2	44	146*	14
45.5	20.2	44	136*	13
45.5	20.2	44	126*	12
45.5	20.2	44	116*	11
45.5	20.2	44	106*	10
33.5	14.2	32	096*	9
33.5	14.2	32	086*	8
33.5	14.2	32	076*	7
33.5	14.2	32	066*	6
25.5	11.5	24	056*	5
25.5	11.5	24	046*	4
25.5	11.5	24	036*	3
25.5	11.5	24	505405026*	2
C	B	エンボステープ幅A (WIDTH OF TAPE)	製品番号 (MATERIAL NO.)	極数 (PKT. NO.)

- 材料
MATERIAL
キャリアテープ: ポリスチレン
CARRIER TAPE: POLYSTYRENE
トップテープ: ポリエステル、ポリエチレン、ポリエチレンテレフタレート
TOP TAPE: POLYESTER, POLYETHYLENE, POLYETHYLENE TEREPHTHALATE
リール: ポリスチレン <リサイクル材を含む>
REEL: POLYSTYRENE <RECYCLE MATERIAL CONTAINED>

5. ELV及びRoHS適合品
ELV AND RoHS COMPLIANT

製品番号
MATERIAL NO.

505405****

極数 (CIRCUIT SIZE) 色 (COLOR)

GENERAL TOLERANCES (UNLESS SPECIFIED)				DIMENSION STYLE		SCALE	DESIGN UNITS	THIRD ANGLE PROJECTION	
				MM ONLY		---	METRIC		
0.25	UNDER	UNDER	±0.03	DRAWN BY	DATE	TITLE			
0.25	OVER	0.5	UNDER	TAKAIKE	2014/10/17	EMBOSSED TAPE PACKAGE FOR 505405-**** WITH KAPTON TAPE			
0.5	OVER	1.0	UNDER	CHECKED BY	DATE				
1.0	OVER	10	UNDER	KASAKAWA	2015/02/16				
10	OVER	30	UNDER	APPROVED BY	DATE				
30	OVER		±0.3	NUKITA	2015/02/16	DOCUMENT NO. SD-505405-004			
ANGULAR ±1°				MATERIAL NO.		SEE TABLE		SHEET NO. 1 OF 2	
DRAFT WHERE APPLICABLE MUST REMAIN WITHIN DIMENSIONS				SIZE A3		THIS DRAWING CONTAINS INFORMATION THAT IS PROPRIETARY TO MOLEX INCORPORATED AND SHOULD NOT BE USED WITHOUT WRITTEN PERMISSION			

Contact us: sales@integrated-circuit.com Website: www.integrated-circuit.com

△ ORDER No. AND CONNECTOR SERIES No.

HSG COLOR : BEIGE		
505405**60	5054051560	15
	↑ 1460	14
	1360	13
	1260	12
	1160	11
	1060	10
	0960	9
	0860	8
	0760	7
	0660	6
	0560	5
	0460	4
	↓ 0360	3
5054050260	2	
コネクタ シリーズ CONNECTOR SERIES	製品番号 MATERIAL NO.	極数 (KT. NO.)

RELEASED EC NO: J2015-0528 DRWN: TAKAIKE 2014/10/17 CHKD: KASAKAWA 2015/02/16 APPR: NUKITA 2015/02/16 REV: A	GENERAL TOLERANCES (UNLESS SPECIFIED)			DIMENSION STYLE		SCALE	DESIGN UNITS	THIRD ANGLE PROJECTION
	0.25 UNDER	UNDER	±0.03	MM ONLY		---	METRIC	TITLE EMBOSSED TAPE PACKAGE FOR 505405-**** WITH KAPTON TAPE molex DOCUMENT NO. SD-505405-004 SHEET NO. 2 OF 2
	0.25 OVER	0.5 UNDER	±0.05	DRAWN BY	DATE			
	0.5 OVER	1.0 UNDER	±0.1	TAKAIKE	2014/10/17			
	1.0 OVER	10 UNDER	±0.2	CHECKED BY	DATE			
	10 OVER	30 UNDER	±0.25	KASAKAWA	2015/02/16			
30 OVER		±0.3	APPROVED BY	DATE				
ANGULAR	±1 °		NUKITA	2015/02/16				
DRAFT WHERE APPLICABLE MUST REMAIN WITHIN DIMENSIONS			SEE TABLE					
			SIZE	THIS DRAWING CONTAINS INFORMATION THAT IS PROPRIETARY TO MOLEX INCORPORATED AND SHOULD NOT BE USED WITHOUT WRITTEN PERMISSION				
			△ 3					