



Distributor of Molex Connector Corporation: Excellent Integrated System Limited
Datasheet of 5025840470 - Connector Receptacle 4 Position 0.059" (1.50mm) Tin Surface
Mount

Contact us: sales@integrated-circuit.com Website: www.integrated-circuit.com

Excellent Integrated System Limited

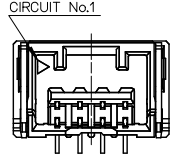
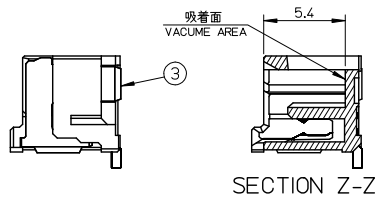
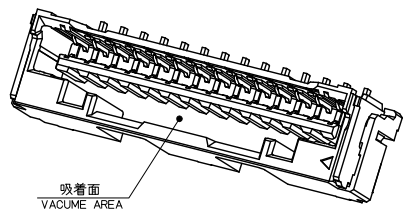
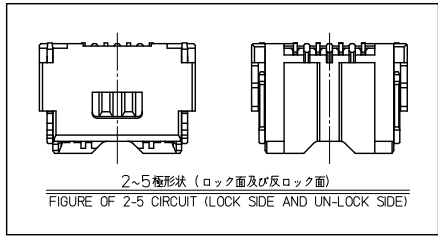
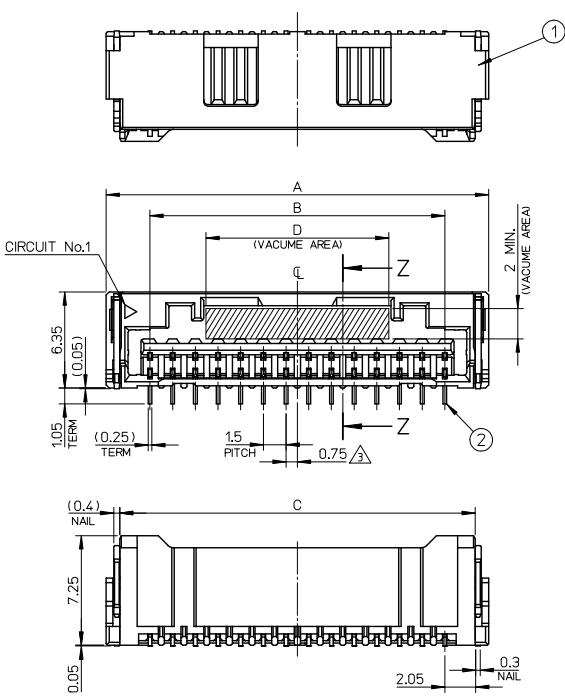
Stocking Distributor

Click to view price, real time Inventory, Delivery & Lifecycle Information:

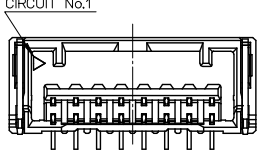
[Molex Connector Corporation](#)
[5025840470](#)

For any questions, you can email us directly:
sales@integrated-circuit.com

Contact us: sales@integrated-circuit.com Website: www.integrated-circuit.com



2-5 極の場合
CASE OF 2-5 CIRCUIT



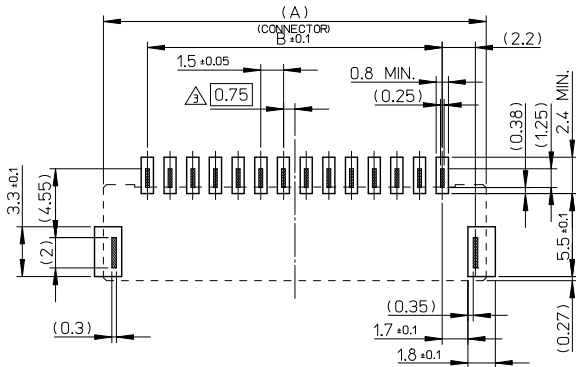
6-11 極の場合
CASE OF 6-11 CIRCUIT

12.1	25	21	26.8	502584-157*	15
12.1	23.5	19.5	25.3	-147*	14
12.1	22	18	23.8	-137*	13
12.1	20.5	16.5	22.3	-127*	12
12.1	19	15	20.8	-117*	11
10.1	17.5	13.5	19.3	-107*	10
10.1	16	12	17.8	-97*	9
8.6	14.5	10.5	16.3	-87*	8
7.1	13	9	14.8	-77*	7
6.2	11.5	7.5	13.3	-67*	6
3.2	10	6	11.8	-57*	5
2.9	8.5	4.5	10.3	-47*	4
2.15	7	3	8.8	-37*	3
2	5.5	1.5	7.3	502584-027*	2
D	C	B	A	EMBOSSED TAPE PACKAGE ORDER No.	CIRCUIT No.

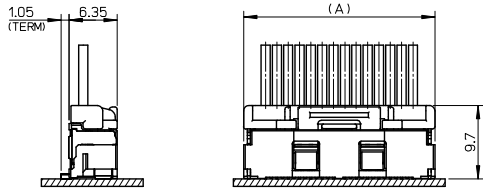
No.	部品 PART	材料 MATERIAL
①	ハウジング HOUSING	耐熱性樹脂 UL94V-0 HEATPROOF RESIN UL94V-0
②	ターミナル TERMINAL	銅合金 COPPER ALLOY
		鍍めつき: 1.0 micro-meter MIN. TIN (TAIL AREA) ニッケルめっき(下地): 1.0 micro-meter MIN. NICKEL (UNDER PLATING)
③	ネイル NAIL	銅合金 COPPER ALLOY
		鍍めつき: 1.0 micro-meter MIN. TIN ニッケルめっき(下地): 1.0 micro-meter MIN. NICKEL (UNDER PLATING)

REVISED EC NO: J2014-0065 DRAWN: TAJI MAO1 2013/07/10 CHKD: KASAKAWA 2013/07/10 APPR: NUKITA 2013/07/10 REV: K	GENERAL TOLERANCES (UNLESS SPECIFIED)		DIMENSION STYLE MM ONLY		SCALE 4:1	DESIGN UNITS METRIC	THIRD ANGLE PROJECTION
	10 UNDER	± 0.2	DRAWN BY N. ITO	DATE '07/07/09	TITLE 1.5MM W/B CONN. S/T REC. ASS'Y		
	10 OVER 30 UNDER	± 0.25	CHECKED BY K. ASAKAWA	DATE '07/07/10			
	30 OVER	± 0.3	APPROVED BY Y. ITO	DATE '07/07/10			
ANGULAR ± 3 °		DRAFT WHERE APPLICABLE MUST REMAIN WITHIN DIMENSIONS		MATERIAL NO.	DOCUMENT NO.	SHEET NO. 1 OF 3	
SEE CHART				SD-502584-001		THIS DRAWING CONTAINS INFORMATION THAT IS PROPRIETARY TO MOLEX INCORPORATED AND SHOULD NOT BE USED WITHOUT WRITTEN PERMISSION	

Contact us: sales@integrated-circuit.com Website: www.integrated-circuit.com



基板パターンレイアウト (参考)
RECOMMENDED P.C.B PATTERN LAYOUT (REF.)



嵌合図
MATED CONNECTORES

NOTES

1. 嵌合相手: 502578 シリーズ
MATE WITH: 502578 SERIES
2. 端子テール部及びネールの平直度: 0.1 MAX.
TAIL AND NAIL COPLANARITY TO BE 0.1 MAX.
- △ 極数/2=偶数に適用
APPLY FOR CIRCUIT SIZE / 2 = EVEN
4. 端子テール部及びネールに錫めっきを使用している為、
外觀に摩擦痕が付く場合があります。
BECAUSE THE TIN PLATING IS USED FOR THE TAIL AND NAIL.
THE WOUND OF FRICTION MIGHT ADHERE TO EXTERNALS.
5. 製品番号
MATERIAL No.
502584-***

極数 → 色
CIRCUIT SIZE → COLOR

No.	COLOR	CIRCUIT
70	ベージュ BEIGE	2-15
71	黒 BLACK	
72	赤 RED	
73	黄 YELLOW	
74	青 BLUE	
75	桃 PINK	
76	緑 GREEN	
77	茶 BROWN	
78	橙 ORANGE	
79	紫 VIOLET	

6. 本製品のプラスチック部に黒点・白点等が確認される場合や
色合いが異なる場合がありますが、製品性能に影響はありません。
THERE IS NO INFLUENCE IN THE PRODUCT
PERFORMANCE THOUGH THE BLACK AND WHITE SPOT ETC.
MIGHT BE CONFIRMED TO THE PLASTIC PART OF
THIS PRODUCT AND THE SHADE MIGHT BE DIFFERENT.

7. ELV 及び RoHS 適合品
ELV AND RoHS COMPLIANT

△ ORDER No. AND CONNECTOR SERIES No.

REVISED EC NO: J2014-0065 DRAWN: YAJI/MA01 2013/07/10 CHKD: KASAKAWA 2013/07/10 APPR: NIKITA 2013/07/10 REV: K	GENERAL TOLERANCES (UNLESS SPECIFIED)		DIMENSION STYLE MM ONLY		SCALE 4:1	DESIGN UNITS METRIC	THIRD ANGLE PROJECTION
	10 UNDER	± 0.2	DRAWN BY N. ITO	DATE '07/07/10	TITLE 1.5MM W/B CONN. S/T REC. ASSY		
	10 OVER 30 UNDER	± 0.25	CHECKED BY K. ASAKAWA	DATE '07/07/10			
	30 OVER	± 0.3	APPROVED BY Y. ITO	DATE '07/07/10			
	ANGULAR ± 3 °		MATERIAL NO. SEE CHART		DOCUMENT NO. SD-502584-001	SHEET NO. 2 OF 3	
DRAFT WHERE APPLICABLE MUST REMAIN WITHIN DIMENSIONS		THIS DRAWING CONTAINS INFORMATION THAT IS PROPRIETARY TO MOLEX INCORPORATED AND SHOULD NOT BE USED WITHOUT WRITTEN PERMISSION					

Contact us: sales@integrated-circuit.com Website: www.integrated-circuit.com

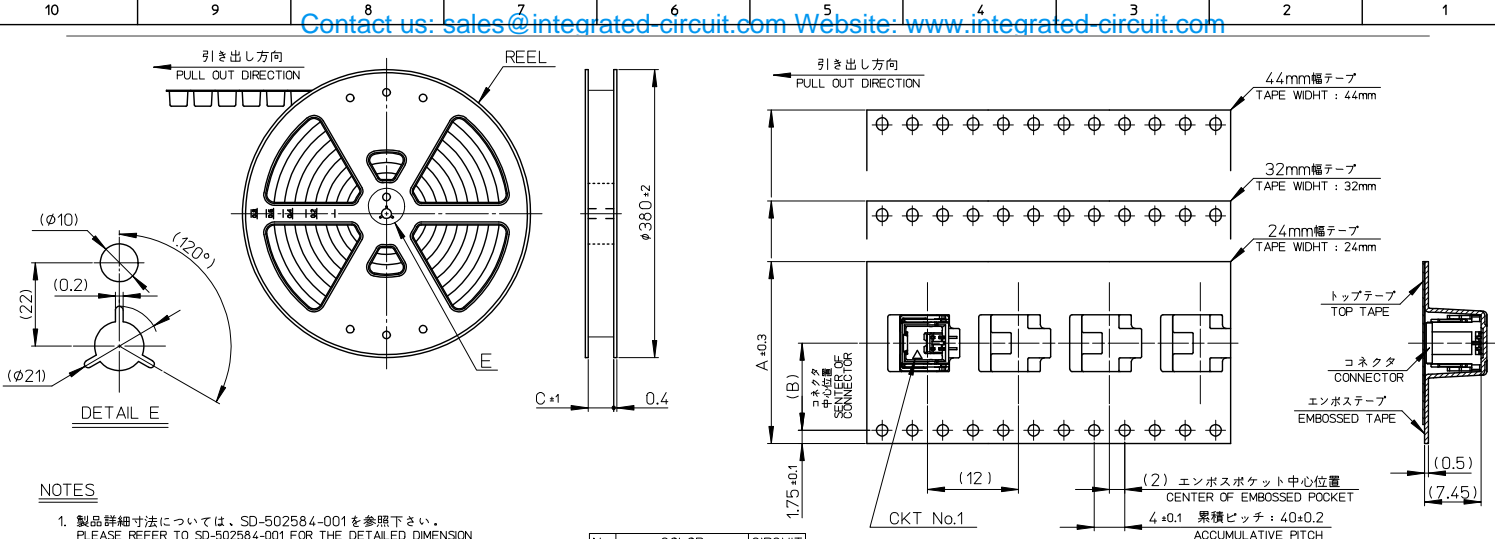
ORDER No. AND CONNECTOR SERIES No.

HSG COLOR : BLUE		HSG COLOR : YELLOW		HSG COLOR : RED		HSG COLOR : BLACK		HSG COLOR : BEIGE		
502584-1574	502584-**74	502584-1573	502584-**73	502584-1572	502584-**72	502584-1571	502584-**71	502584-1570	502584-**70	15
502584-1474		502584-1473		502584-1472		502584-1471		502584-1470		14
502584-1374		502584-1373		502584-1372		502584-1371		502584-1370		13
502584-1274		502584-1273		502584-1272		502584-1271		502584-1270		12
502584-1174		502584-1173		502584-1172		502584-1171		502584-1170		11
502584-1074		502584-1073		502584-1072		502584-1071		502584-1070		10
502584-0974		502584-0973		502584-0972		502584-0971		502584-0970		9
502584-0874		502584-0873		502584-0872		502584-0871		502584-0870		8
502584-0774		502584-0773		502584-0772		502584-0771		502584-0770		7
502584-0674		502584-0673		502584-0672		502584-0671		502584-0670		6
502584-0574		502584-0573		502584-0572		502584-0571		502584-0570		5
502584-0474		502584-0473		502584-0472		502584-0471		502584-0470		4
502584-0374		502584-0373		502584-0372		502584-0371		502584-0370		3
502584-0274		502584-0273		502584-0272		502584-0271		502584-0270		2
EMBOSSSED TAPE PACKAGE オーダー番号ORDER No.	コネクタシリーズ CONNECTOR SERIES	EMBOSSSED TAPE PACKAGE オーダー番号ORDER No.	コネクタシリーズ CONNECTOR SERIES	EMBOSSSED TAPE PACKAGE オーダー番号ORDER No.	コネクタシリーズ CONNECTOR SERIES	EMBOSSSED TAPE PACKAGE オーダー番号ORDER No.	コネクタシリーズ CONNECTOR SERIES	EMBOSSSED TAPE PACKAGE オーダー番号ORDER No.	コネクタシリーズ CONNECTOR SERIES	極数 (KT. NO.)

HSG COLOR : VIOLET		HSG COLOR : ORANGE		HSG COLOR : BROWN		HSG COLOR : GREEN		HSG COLOR : PINK		
502584-1579	502584-**79	502584-1578	502584-**78	502584-1577	502584-**77	502584-1576	502584-**76	502584-1575	502584-**75	15
502584-1479		502584-1478		502584-1477		502584-1476		502584-1475		14
502584-1379		502584-1378		502584-1377		502584-1376		502584-1375		13
502584-1279		502584-1278		502584-1277		502584-1276		502584-1275		12
502584-1179		502584-1178		502584-1177		502584-1176		502584-1175		11
502584-1079		502584-1078		502584-1077		502584-1076		502584-1075		10
502584-0979		502584-0978		502584-0977		502584-0976		502584-0975		9
502584-0879		502584-0878		502584-0877		502584-0876		502584-0875		8
502584-0779		502584-0778		502584-0777		502584-0776		502584-0775		7
502584-0679		502584-0678		502584-0677		502584-0676		502584-0675		6
502584-0579		502584-0578		502584-0577		502584-0576		502584-0575		5
502584-0479		502584-0478		502584-0477		502584-0476		502584-0475		4
502584-0379		502584-0378		502584-0377		502584-0376		502584-0375		3
502584-0279		502584-0278		502584-0277		502584-0276		502584-0275		2
EMBOSSSED TAPE PACKAGE オーダー番号ORDER No.	コネクタシリーズ CONNECTOR SERIES	EMBOSSSED TAPE PACKAGE オーダー番号ORDER No.	コネクタシリーズ CONNECTOR SERIES	EMBOSSSED TAPE PACKAGE オーダー番号ORDER No.	コネクタシリーズ CONNECTOR SERIES	EMBOSSSED TAPE PACKAGE オーダー番号ORDER No.	コネクタシリーズ CONNECTOR SERIES	EMBOSSSED TAPE PACKAGE オーダー番号ORDER No.	コネクタシリーズ CONNECTOR SERIES	極数 (KT. NO.)

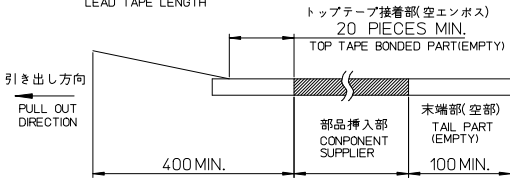
REVISED EC NO: J2014-0065 DRW: YAJI MA01 CHK: KASAKAWA APPR: NUKITA 2013/07/10 2013/07/10 2013/07/10	GENERAL TOLERANCES (UNLESS SPECIFIED)		DIMENSION STYLE MM ONLY		SCALE 4:1	DESIGN UNITS METRIC	THIRD ANGLE PROJECTION	
	10 UNDER	± 0.2	DRAWN BY N. ITO	DATE '07/07/09	TITLE 15MM W/B CONN. S/T REC. ASS'Y molex MATERIAL NO. SD-502584-001 DOCUMENT NO. SD-502584-001 SHEET NO. 3 OF 3			
	10 OVER 30 UNDER	± 0.25	CHECKED BY K. ASAKAWA	DATE '07/07/10				
	30 OVER	± 0.3	APPROVED BY Y. ITO	DATE '07/07/10				
ANGULAR ± 3 °		DRAFT WHERE APPLICABLE MUST REMAIN WITHIN DIMENSIONS		SEE CHART				

Contact us: sales@integrated-circuit.com Website: www.integrated-circuit.com



NOTES

- 製品詳細寸法については、SD-502584-001を参照下さい。
PLEASE REFER TO SD-502584-001 FOR THE DETAILED DIMENSION OF THE CONNECTOR.
- 梱包数量: 900個
NUMBER OF CONNECTORS: 900 PIECES/REEL.
- リードテープ長さ
LEAD TAPE LENGTH



No.	COLOR	CIRCUIT
70	ベージュ BEIGE	2~15
71	黒 BLACK	
72	赤 RED	
73	黄 YELLOW	
74	青 BLUE	
75	桃 PINK	
76	緑 GREEN	
77	茶 BROWN	
78	橙 ORANGE	
79	紫 VIOLET	

△ ORDER No. AND CONNECTOR SERIES No.

8. 本製品は乾燥剤入り、ハイバリア梱包仕様である。
THIS PRODUCT IS HIGH BARRIER PACKAGE WITH DESICCANT.

45.5	20.2	4.4	502584-157*	15
45.5	20.2	4.4	-147*	14
45.5	20.2	4.4	-137*	13
45.5	20.2	4.4	-127*	12
45.5	20.2	4.4	-117*	11
45.5	20.2	4.4	-107*	10
33.5	14.2	3.2	-097*	9
33.5	14.2	3.2	-087*	8
33.5	14.2	3.2	-077*	7
33.5	14.2	3.2	-067*	6
25.5	11.5	2.4	-057*	5
25.5	11.5	2.4	-047*	4
25.5	11.5	2.4	-037*	3
25.5	11.5	2.4	502584-027*	2
C	B	エンボステープ幅A WIDTH OF TAPE	△ 製品番号	極数

- 材料
MATERIAL
キャリアテープ: ポリスチレン
CARRIER TAPE: POLYSTYRENE
トップテープ: ポリエステル, ポリエチレン, ポリエチレンテレフタレート
TOP TAPE: POLYESTER, POLYETHYLENE, POLYETHYLENE TEREPHTHALATE
リール: ポリスチレン<リサイクル材を含む>
REEL: POLYSTYRENE<RECYCLE MATERIAL CONTAINED>
- ELV 及び RoHS 適合品
ELV AND RoHS COMPLIANT

△ 製品番号
MATERIAL NO.
502584-***
極数 ↑ 色
CIRCUIT SIZE ↑ COLOR

GENERAL TOLERANCES (UNLESS SPECIFIED)		DIMENSION STYLE MM ONLY		SCALE ---	DESIGN UNITS METRIC	THIRD ANGLE PROJECTION
10 UNDER	± 0.2	DRAWN BY NITO	DATE 2007/07/17	EMBOSSED TAPE PACKAGE FOR 502584		
10 OVER 30 UNDER	± 0.25	CHECKED BY KASAKAWA	DATE 2007/07/17			
30 OVER	± 0.3	APPROVED BY YOITO	DATE 2007/07/17			
ANGULAR ± 1°		MATERIAL NO.		MOLEX INCORPORATED		
DRAFT WHERE APPLICABLE WITHIN DIMENSIONS		SEE TABLE		DOCUMENT NO. SD-502584-002		SHEET NO. 1 OF 2
SIZE A3 THIS DRAWING CONTAINS INFORMATION THAT IS PROPRIETARY TO MOLEX INCORPORATED AND SHOULD NOT BE USED WITHOUT WRITTEN PERMISSION						

Contact us: sales@integrated-circuit.com Website: www.integrated-circuit.com

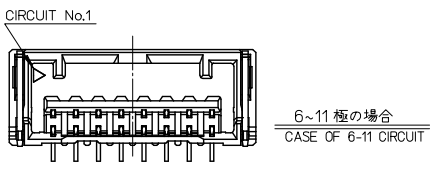
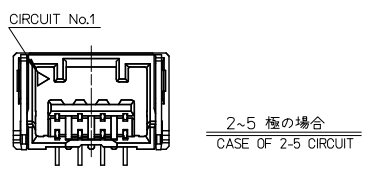
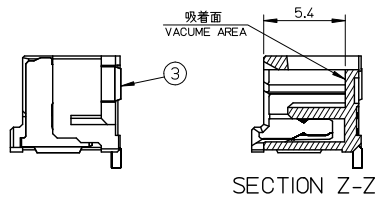
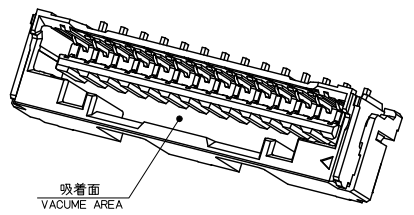
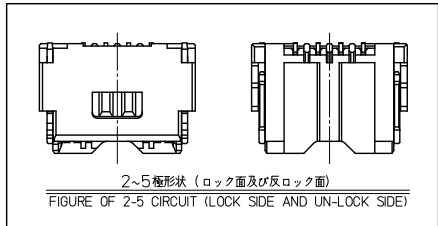
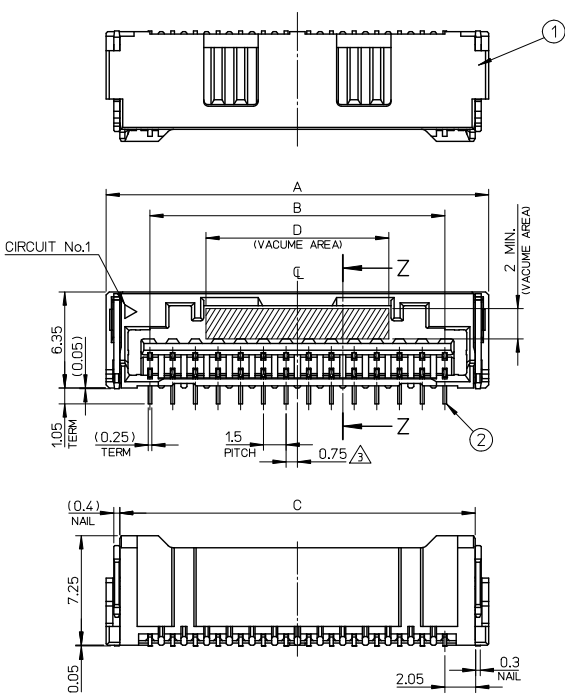
△ ORDER No. AND CONNECTOR SERIES No.

HSG COLOR : BLUE		HSG COLOR : YELLOW		HSG COLOR : RED		HSG COLOR : BLACK		HSG COLOR : BEIGE		
502584-***74	502584-1574	502584-***73	502584-1573	502584-***72	502584-1572	502584-***71	502584-1571	502584-***70	502584-1570	15
	502584-1474		502584-1473		502584-1472		502584-1471		502584-1470	14
	502584-1374		502584-1373		502584-1372		502584-1371		502584-1370	13
	502584-1274		502584-1273		502584-1272		502584-1271		502584-1270	12
	502584-1174		502584-1173		502584-1172		502584-1171		502584-1170	11
	502584-1074		502584-1073		502584-1072		502584-1071		502584-1070	10
	502584-0974		502584-0973		502584-0972		502584-0971		502584-0970	9
	502584-0874		502584-0873		502584-0872		502584-0871		502584-0870	8
	502584-0774		502584-0773		502584-0772		502584-0771		502584-0770	7
	502584-0674		502584-0673		502584-0672		502584-0671		502584-0670	6
	502584-0574		502584-0573		502584-0572		502584-0571		502584-0570	5
	502584-0474		502584-0473		502584-0472		502584-0471		502584-0470	4
	502584-0374		502584-0373		502584-0372		502584-0371		502584-0370	3
	502584-0274		502584-0273		502584-0272		502584-0271		502584-0270	2
	コネクタ シリーズ CONNECTOR SERIES		製品番号 MATERIAL NO.		コネクタ シリーズ CONNECTOR SERIES		製品番号 MATERIAL NO.		コネクタ シリーズ CONNECTOR SERIES	製品番号 MATERIAL NO.

HSG COLOR : VIOLET		HSG COLOR : ORANGE		HSG COLOR : BROWN		HSG COLOR : GREEN		HSG COLOR : PINK		
502584-***79	502584-1579	502584-***78	502584-1578	502584-***77	502584-1577	502584-***76	502584-1576	502584-***75	502584-1575	15
	502584-1479		502584-1478		502584-1477		502584-1476		502584-1475	14
	502584-1379		502584-1378		502584-1377		502584-1376		502584-1375	13
	502584-1279		502584-1278		502584-1277		502584-1276		502584-1275	12
	502584-1179		502584-1178		502584-1177		502584-1176		502584-1175	11
	502584-1079		502584-1078		502584-1077		502584-1076		502584-1075	10
	502584-0979		502584-0978		502584-0977		502584-0976		502584-0975	9
	502584-0879		502584-0878		502584-0877		502584-0876		502584-0875	8
	502584-0779		502584-0778		502584-0777		502584-0776		502584-0775	7
	502584-0679		502584-0678		502584-0677		502584-0676		502584-0675	6
	502584-0579		502584-0578		502584-0577		502584-0576		502584-0575	5
	502584-0479		502584-0478		502584-0477		502584-0476		502584-0475	4
	502584-0379		502584-0378		502584-0377		502584-0376		502584-0375	3
	502584-0279		502584-0278		502584-0277		502584-0276		502584-0275	2
	コネクタ シリーズ CONNECTOR SERIES		製品番号 MATERIAL NO.		コネクタ シリーズ CONNECTOR SERIES		製品番号 MATERIAL NO.		コネクタ シリーズ CONNECTOR SERIES	製品番号 MATERIAL NO.

REVISED EC NO. J2010-0624 DRAWN BY NITO CHKD/KASAKAWA 2009/10/07 APPR./MUKITA 2009/10/08 REV	GENERAL TOLERANCES (UNLESS SPECIFIED)		DIMENSION STYLE MM ONLY		SCALE ---	DESIGN UNITS METRIC	THIRD ANGLE PROJECTION		
	10 UNDER	± 0.2	DRAWN BY NITO		DATE 2007/07/17	EMBOSSED TAPE PACKAGE FOR 502584			
	10 OVER 30 UNDER	± 0.25	CHECKED BY KASAKAWA		DATE 2007/07/17				
	30 OVER	± 0.3	APPROVED BY YOITO		DATE 2007/07/17	MOLEX INCORPORATED			
	ANGULAR ±1 °		MATERIAL NO.		DOCUMENT NO.				
DRAFT WHERE APPLICABLE MUST REMAIN WITHIN DIMENSIONS		SEE TABLE		THIS DRAWING CONTAINS INFORMATION THAT IS PROPRIETARY TO MOLEX INCORPORATED AND SHOULD NOT BE USED WITHOUT WRITTEN PERMISSION					

Contact us: sales@integrated-circuit.com Website: www.integrated-circuit.com

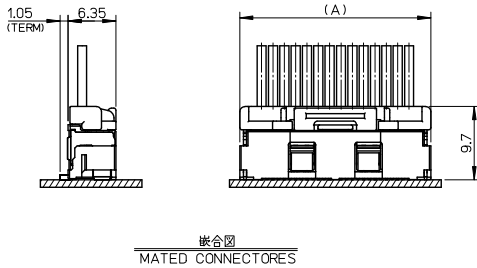
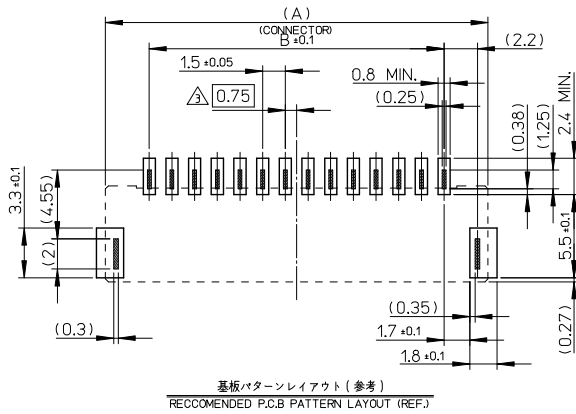


12.1	25	21	26.8	503339-1570	15
12.1	23.5	19.5	25.3	-1470	14
12.1	22	18	23.8	-1370	13
12.1	20.5	16.5	22.3	-1270	12
12.1	19	15	20.8	-1170	11
10.1	17.5	13.5	19.3	-1070	10
10.1	16	12	17.8	-0970	9
8.6	14.5	10.5	16.3	-0870	8
7.1	13	9	14.8	-0770	7
6.2	11.5	7.5	13.3	-0670	6
3.2	10	6	11.8	-0570	5
2.9	8.5	4.5	10.3	-0470	4
2.15	7	3	8.8	-0370	3
2	5.5	1.5	7.3	503339-0270	2
D	C	B	A	EMBOSSED TAPE PACKAGE ORDER No.	CIRCUIT No.

No.	部品 PART	材料 MATERIAL
①	ハウジング HOUSING	耐熱性樹脂 UL94V-0 HEATPROOF RESIN UL94V-0
②	ターミナル TERMINAL	銅合金 COPPER ALLOY
		錫めっき:1.0 micro-meter MIN. TIN (TAIL AREA)
③	ネイル NAIL	銅合金 COPPER ALLOY
		錫めっき:1.0 micro-meter MIN. TIN
		ニッケルめっき(下地):1.0 micro-meter MIN. NICKEL (UNDER PLATING)

RELEASED EC NO. J2015-0388 DRWN:TYAJ/MA01 2014/10/01 CHKD:KASAKAWA 2014/10/08 APPR:NUKITA 2014/10/08 REV 0	GENERAL TOLERANCES (UNLESS SPECIFIED)		DIMENSION STYLE MM ONLY		SCALE 4:1	DESIGN UNITS METRIC	THIRD ANGLE PROJECTION
	10 UNDER	± 0.2	DRAWN BY TYAJ/MA01	DATE 2014/10/01	TITLE 1.5MM W/B CONN. S/T REC. ASS'Y		
	10 OVER 30 UNDER	± 0.25	CHECKED BY KASAKAWA	DATE 2014/10/08	molex DOCUMENT NO. SD-503339-003 SHEET NO. 1 OF 2		
	30 OVER	± 0.3	APPROVED BY NUKITA	DATE 2014/10/08			
	ANGULAR ± 3 °		MATERIAL NO.		SEE CHART		
DRAFT WHERE APPLICABLE MUST REMAIN WITHIN DIMENSIONS		THIS DRAWING CONTAINS INFORMATION THAT IS PROPRIETARY TO MOLEX INCORPORATED AND SHOULD NOT BE USED WITHOUT WRITTEN PERMISSION					

Contact us: sales@integrated-circuit.com Website: www.integrated-circuit.com



NOTES

1. 嵌合相手: 502578 シリーズ
MATE WITH: 502578 SERIES.
2. 端子テール部及びネイルの平坦度: 0.1 MAX.
TAIL AND NAIL COPLANARITY TO BE 0.1 MAX.
3. 極数/2=偶数に適用
APPLY FOR CIRCUIT SIZE / 2 = EVEN
4. 端子テール部及びネイルに錫めっきを使用している為、
外觀に摺動痕が付く場合があります。
THE WOUND OF FRICTION MIGHT ADHERE TO EXTERNALS
BECAUSE THE TIN PLATING IS USED FOR THE TAIL AND NAIL.
5. 製品番号
MATERIAL No.
503339-***
6. 本製品のプラスチック部に黒点・白点等が確認される場合や
色合いが異なる場合がありますが、製品性能に影響はありません。
THERE IS NO INFLUENCE IN THE PRODUCT
PERFORMANCE THOUGH THE BLACK AND WHITE SPOT ETC.
MIGHT BE CONFIRMED TO THE PLASTIC PART OF
THIS PRODUCT AND THE SHADE MIGHT BE DIFFERENT.
7. ELV 及び RoHS 適合品
ELV AND RoHS COMPLIANT

△△ ORDER No. AND CONNECTOR SERIES No.

No.	COLOR	CIRCUIT
70	ベージュ	2~15

HSG COLOR : BEIGE		
5033391570		15
5033391470		14
5033391370		13
5033391270		12
5033391170		11
5033391070		10
5033390970	503339**70	9
5033390870		8
5033390770		7
5033390670		6
5033390570		5
5033390470		4
5033390370		3
5033390270		2
EMBOSSED TAPE PACKAGE	コネクタシリーズ	極数
オーダー番号	ORDER No.	(CONNECTOR SERIES)(EXT. NO.)

RELEASED EC NO: J2015-0388 DRWN: YAJIMA01 2014/10/01 CHKD: KASAKAWA 2014/10/08 APPR: NUKITA 2014/10/08	GENERAL TOLERANCES (UNLESS SPECIFIED)		DIMENSION STYLE MM ONLY		SCALE 4:1	DESIGN UNITS METRIC	THIRD ANGLE PROJECTION
	10 UNDER	± 0.2	DRAWN BY YAJIMA01	DATE 2014/10/01	TITLE 15MM W/B CONN. S/T REC. ASS'Y		
	10 OVER 30 UNDER	± 0.25	CHECKED BY KASAKAWA	DATE 2014/10/08	DOCUMENT NO. SD-503339-003		
	30 OVER	± 0.3	APPROVED BY NUKITA	DATE 2014/10/08	SHEET NO. 2 OF 2		
0	ANGULAR ± 3 °	DRAFT WHERE APPLICABLE MUST REMAIN WITHIN DIMENSIONS		MATERIAL NO. SEE CHART		THIS DRAWING CONTAINS INFORMATION THAT IS PROPRIETARY TO MOLEX INCORPORATED AND SHOULD NOT BE USED WITHOUT WRITTEN PERMISSION	

Contact us: sales@integrated-circuit.com Website: www.integrated-circuit.com

△ ORDER No. AND CONNECTOR SERIES No.

HSG COLOR : BEIGE		
505405**70	5054051570	15
	1470	14
	1370	13
	1270	12
	1170	11
	1070	10
	0970	9
	0870	8
	0770	7
	0670	6
	0570	5
	0470	4
	0370	3
5054050270	2	
コネクタ シリーズ CONNECTOR SERIES	製品番号 MATERIAL NO.	極数 (KT. NO.)

RELEASED IEC NO. J2015-0528 2014/10/20 DRAWN: TAKAIKE CHIKIDAKAWA 2015/02/16 APPROVED BY: NUKITA 2015/02/16 DESCRIPTION REV A	GENERAL TOLERANCES (UNLESS SPECIFIED)			DIMENSION STYLE MM ONLY		SCALE ---	DESIGN UNITS METRIC	THIRD ANGLE PROJECTION
	0.25 UNDER	UNDER	±0.03	DRAWN BY	DATE	TITLE EMBOSSED TAPE PACKAGE FOR 505405		
	0.25 OVER	0.5 UNDER	±0.05	TAKAIKE	2014/10/20			
	0.5 OVER	1.0 UNDER	±0.1	CHECKED BY	DATE	DOCUMENT NO. SD-505405-002		
	1.0 OVER	10 UNDER	±0.2	KASAKAWA	2015/02/16			
	10 OVER	30 UNDER	±0.25	APPROVED BY	DATE	SHEET NO. 2 OF 2		
	30 OVER		±0.3	NUKITA	2015/02/16			
	ANGULAR ±1 °			MATERIAL NO.		SEE TABLE		
	DRAFT WHERE APPLICABLE MUST REMAIN WITHIN DIMENSIONS			SIZE A3	THIS DRAWING CONTAINS INFORMATION THAT IS PROPRIETARY TO MOLEX INCORPORATED AND SHOULD NOT BE USED WITHOUT WRITTEN PERMISSION			