



Distributor of Molex Connector Corporation: Excellent Integrated System Limited
Datasheet of 5031482090 - Connector Receptacle 20 Position 0.059" (1.50mm) Tin Surface
Mount, Right Angle

Contact us: sales@integrated-circuit.com Website: www.integrated-circuit.com

Excellent Integrated System Limited

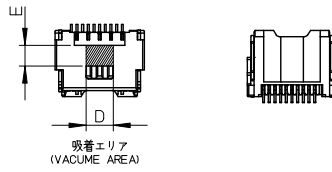
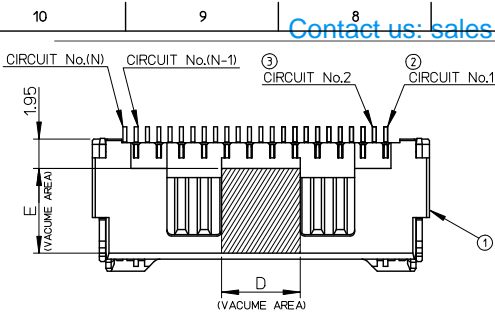
Stocking Distributor

Click to view price, real time Inventory, Delivery & Lifecycle Information:

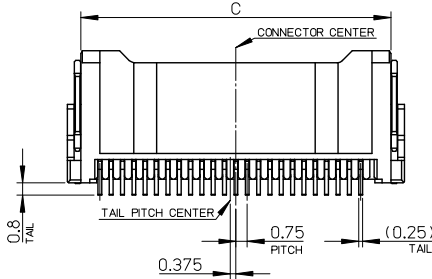
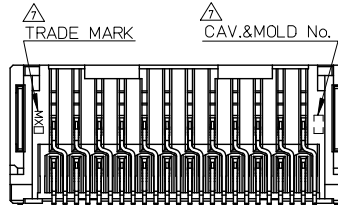
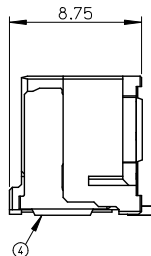
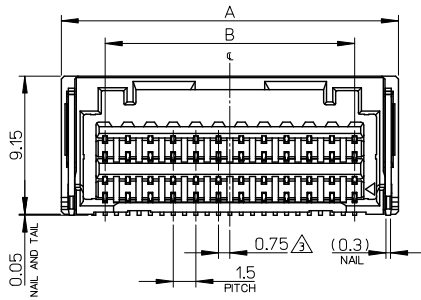
[Molex Connector Corporation](#)
[5031482090](#)

For any questions, you can email us directly:
sales@integrated-circuit.com

Contact us: sales@integrated-circuit.com Website: www.integrated-circuit.com



10極ハウジング形状
(HOUSING FORM OF 10CKT)
SCALE 2:1



No.	PART	MATERIAL
①	HOUSING	耐熱性樹脂 UL94V-0 HEATPROOF RESIN UL94V-0
②	TERMINAL A	銅合金 COPPER ALLOY 錫メッキ: 1.0 micro-meter MIN. TIN
③	TERMINAL B	ニッケルメッキ(下地): 1.0 micro-meter MIN. NICKEL (UNDER PLATING)
④	NAIL	銅合金 COPPER ALLOY 錫メッキ: 1.0 micro-meter MIN. TIN ニッケルメッキ(下地): 1.0 micro-meter MIN. NICKEL (UNDER PLATING)

503148 - 269*	5.6	5.2	22.0	18.0	23.8	26
503148 - 249*	5.6	5.2	20.5	16.5	22.3	24
503148 - 229*	5.6	3.2	19.0	15.0	20.8	22
503148 - 209*	5.6	3.2	17.5	13.5	19.3	20
503148 - 189*	5.6	3.2	16.0	12.0	17.8	18
503148 - 169*	5.6	2.5	14.5	10.5	16.3	16
503148 - 149*	5.6	2.5	13.0	9.0	14.8	14
503148 - 129*	5.6	2.3	11.5	7.5	13.3	12
503148 - 109*	2.75	3.6	10	6	11.8	10
503148 - 089*	2.75	3.6	8.5	4.5	10.3	8
EMBOSSED TAPE PACKAGE						
オーダー番号 ORDER No.	E	D	C	B	A	CIRCUIT

REVISED	EC NO. J2015-0024	2014.05/30	2014.06/02	2014.07/08	GENERAL TOLERANCES (UNLESS SPECIFIED)		DIMENSION STYLE MM ONLY	SCALE 4:1	DESIGN UNITS METRIC	THIRD ANGLE PROJECTION	TITLE 1.5 W/B CONN. DUAL R/A REC. ASSY	SHEET NO. 1 OF 3
					DESCRIPTION	REVISION						
10	UNDER	± 0.2										
10	OVER 30 UNDER	± 0.25										
30	OVER	± 0.3										
	ANGULAR	± 1 °										
DRAWN BY T. HANYU 2007/11/2					CHECKED BY K. ASAKAWA 2007/11/2		APPROVED BY Y. ITO 2007/11/2		MATERIAL NO. SEE CHART		DOCUMENT NO. SD-503148-001	
DRAFT WHERE APPLICABLE MUST REMAIN WITHIN DIMENSIONS												
THIS DRAWING CONTAINS INFORMATION THAT IS PROPRIETARY TO MOLEX INCORPORATED AND SHOULD NOT BE USED WITHOUT WRITTEN PERMISSION												

NOTES

1. 嵌合相手: 503149-****
MATE WITH: 503149-****
2. 端子フェール部及びネイルの平坦度: 0.1mm MAX.
但し、26極のみ0.12mm MAX.
TAIL AND NAIL COPLANARITY TO BE 0.1 MAX.
FOR 26P ONLY 0.12 MAX.

- △ (極数/2) = 偶数に適用
APPLY FOR (CIRCUIT SIZE/2)=EVEN
4. 端子フェール部及びネイルに錫メッキを使用している為、
外観に褶動痕が付く場合があります。

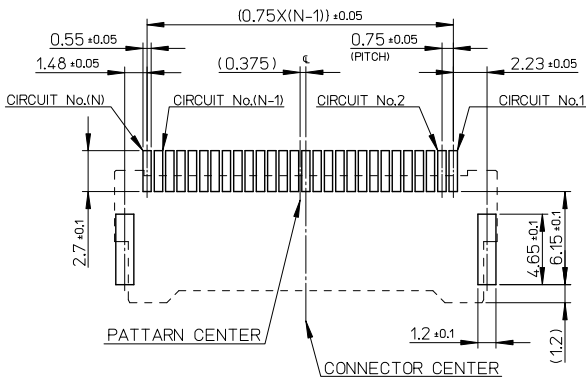
△ 製品番号
MATERIAL No.

503148 - **9*

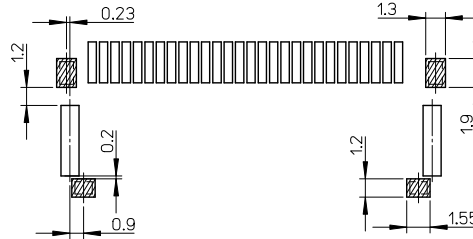
極数 CIRCUIT SIZE 色 COLOR

COLOR	黒 BLACK	赤 RED	青 BLUE	緑 GREEN	ベージュ BEIGE (NATURAL)
COLOR No.	1	2	4	6	0

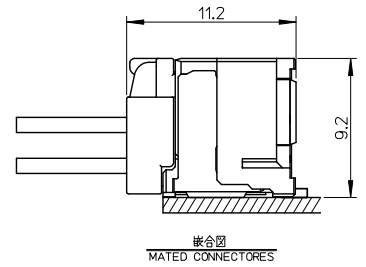
6. 本製品のプラスチック部に黒点・白点等が確認される場合や、
色合いが異なる場合がありますが、製品性能に影響はありません。
THERE IS NO INFLUENCE IN THE PRODUCT PERFORMANCE THROUGH THE BLACK AND WHITE SPOT ETC.
MIGHT BE CONFIRMED TO THE PLASTIC PART OF THIS PRODUCT AND THE SHADE MIGHT BE DIFFERENT.
- △ トレードマーク: MXプラス1文字の製造工場を示すアルファベットにて表示
但し、"J" は JAPAN を示す。【例 MXJ】
キャビティ番号: 1桁から2桁の数字にて表示
金型番号: アルファベット1文字にて表示
FORMED BY MX AND 1 MORE LETTER OF ALPHABET WHICH MEAN THE MANUFACTORY.
BUT "J" MEANS JAPAN. (TO TRADE MARK) (e.g. MXJ)
AND BY 1 - 2 DIGIT NUMBER (TO CAVITY No.)
AND BY 1 LETTER OF ALPHABET (TO MOLD No.)
- △ コネクタ下にパターン及びスルーホールを設置する場合、基板面からのパターン盛り上がりは、0.1mm MAX.とする事。
但し、図示したパターン禁止エリアは除く。
THE UPSURGE ON THE PCB BOARD SIDE TO BE 0.1mm MAX.
WHEN SET UP A PATTERN AND A THROUGH HALL UNDER THE CONNECTOR.
9. ELV及びRoHS適合品
ELV AND ROHS COMPLIANT
- △ オーダー番号及びコネクタシリーズ番号
ORDER No. AND CONNECTOR SERIES No.



パターンレイアウト (参考)
PATTERN LAYOUT (REF.)



△ パターン禁止エリア (参考)
PATTERN PROHIBITION AREA (REF.)



SEE SHEET1 EC NO. J2015-0024 DRAWN: YMAE 2014/05/30 CHKD: ASAKAWA 2014/06/02 APPR: NIKITA 2014/07/08	GENERAL TOLERANCES (UNLESS SPECIFIED)		DIMENSION STYLE	SCALE	DESIGN UNITS	THIRD ANGLE PROJECTION
			MM ONLY	4:1	METRIC	
	10 UNDER	± 0.2	DRAWN BY	DATE	TITLE	
	10 OVER 30 UNDER	± 0.25	T. HANYU	2007/11/2	1.5 W/B CONN. DUAL R/A REC. ASSY	
30 OVER	± 0.3	CHECKED BY	DATE	molex		
ANGULAR	± 1 °	K. ASAKAWA	2007/11/2	DOCUMENT NO.		
DRAFT WHERE APPLICABLE MUST REMAIN WITHIN DIMENSIONS		APPROVED BY	DATE	SD-503148-001		
		Y. ITO	2007/11/2	SHEET NO.		
		SEE CHART		2 OF 3		
		THIS DRAWING CONTAINS INFORMATION THAT IS PROPRIETARY TO MOLEX INCORPORATED AND SHOULD NOT BE USED WITHOUT WRITTEN PERMISSION				

Contact us: sales@integrated-circuit.com Website: www.integrated-circuit.com

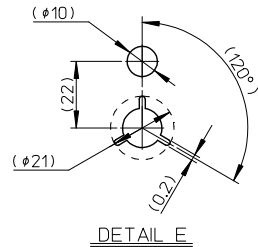
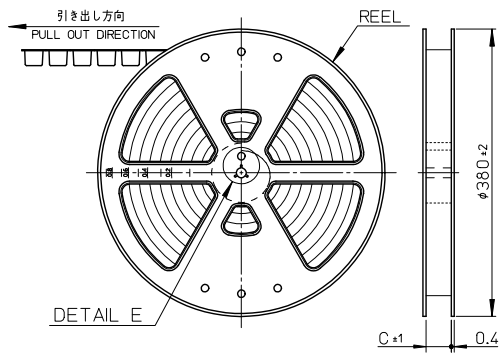
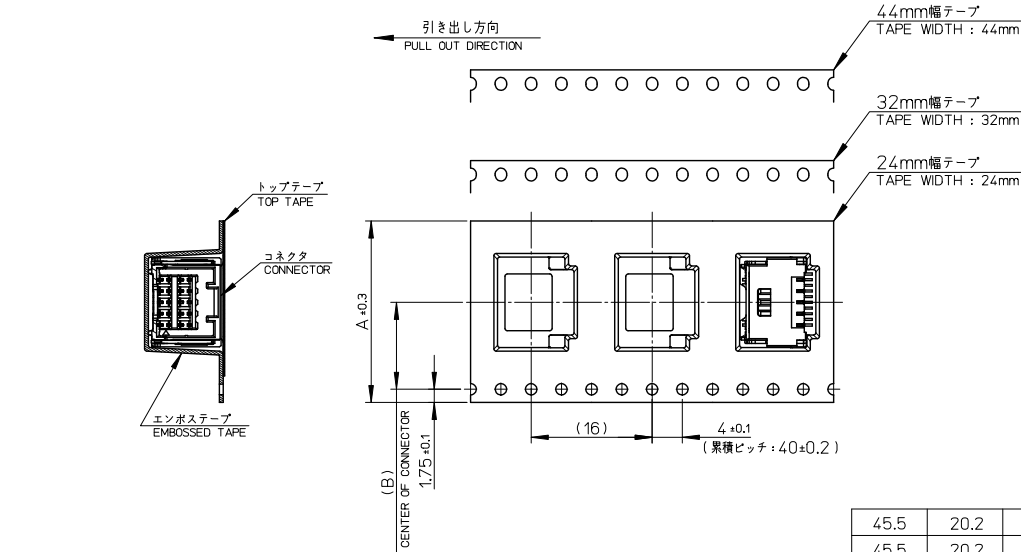
ORDER No. AND CONNECTOR SERIES No.

HOUSING COLOR : BEIGE (NATURAL)			HOUSING COLOR : BLACK			HOUSING COLOR : RED		
26	503148 - 2690	503148 - **90	503148 - 2691	503148 - **91	503148 - 2692	503148 - **92		
24	503148 - 2490		503148 - 2491		503148 - 2492			
22	503148 - 2290		503148 - 2291		503148 - 2292			
20	503148 - 2090		503148 - 2091		503148 - 2092			
18	503148 - 1890		503148 - 1891		503148 - 1892			
16	503148 - 1690		503148 - 1691		503148 - 1692			
14	503148 - 1490		503148 - 1491		503148 - 1492			
12	503148 - 1290		503148 - 1291		503148 - 1292			
10	503148 - 1090		503148 - 1091		503148 - 1092			
8	503148 - 0890	503148 - 0891	503148 - 0892					
CIRCUIT	EMBOSSSED TAPE PACKAGE オーダー番号 ORDER No.	CONNECTOR SERIES No. コネクタシリーズ番号	EMBOSSSED TAPE PACKAGE オーダー番号 ORDER No.	CONNECTOR SERIES No. コネクタシリーズ番号	EMBOSSSED TAPE PACKAGE オーダー番号 ORDER No.	CONNECTOR SERIES No. コネクタシリーズ番号		

HOUSING COLOR : BLUE			HOUSING COLOR : GREEN		
26	503148 - 2694	503148 - **94	503148 - 2696	503148 - **96	503148 - 2692
24	503148 - 2494		503148 - 2496		503148 - 2492
22	503148 - 2294		503148 - 2296		503148 - 2292
20	503148 - 2094		503148 - 2096		503148 - 2092
18	503148 - 1894		503148 - 1896		503148 - 1892
16	503148 - 1694		503148 - 1696		503148 - 1692
14	503148 - 1494		503148 - 1496		503148 - 1492
12	503148 - 1294		503148 - 1296		503148 - 1292
10	503148 - 1094		503148 - 1096		503148 - 1092
8	503148 - 0894	503148 - 0896	503148 - 0892		
CIRCUIT	EMBOSSSED TAPE PACKAGE オーダー番号 ORDER No.	CONNECTOR SERIES No. コネクタシリーズ番号	EMBOSSSED TAPE PACKAGE オーダー番号 ORDER No.	CONNECTOR SERIES No. コネクタシリーズ番号	

SEE SHEET1 EC NO: J2015-0024 DRAWN: YMAKE CHKD: KASAKAWA APPR: NUKITA 2014/05/30 2014/06/02 2014/07/08 DESCRIPTION	GENERAL TOLERANCES (UNLESS SPECIFIED)		DIMENSION STYLE MM ONLY		SCALE 4:1	DESIGN UNITS METRIC	THIRD ANGLE PROJECTION
	10 UNDER	± 0.2	DRAWN BY T. HANYU	DATE 2007/11/2	TITLE 1.5 W/B CONN. DUAL R/A REC. ASSY molex		
	10 OVER 30 UNDER	± 0.25	CHECKED BY K. ASAKAWA	DATE 2007/11/2			
	30 OVER	± 0.3	APPROVED BY YO. ITO	DATE 2007/11/2			
ANGULAR ±1 °		MATERIAL NO.		DOCUMENT NO.	SHEET NO.		
DRAFT WHERE APPLICABLE MUST REMAIN WITHIN DIMENSIONS		SEE CHART		SD-503148-001	3 OF 3		
THIS DRAWING CONTAINS INFORMATION THAT IS PROPRIETARY TO MOLEX INCORPORATED AND SHOULD NOT BE USED WITHOUT WRITTEN PERMISSION							

Contact us: sales@integrated-circuit.com Website: www.integrated-circuit.com



45.5	20.2	44	503148-269*	26
45.5	20.2	44	503148-249*	24
45.5	20.2	44	503148-229*	22
45.5	20.2	44	503148-209*	20
45.5	20.2	44	503148-189*	18
33.5	14.2	32	503148-169*	16
33.5	14.2	32	503148-149*	14
33.5	14.2	32	503148-129*	12
25.5	11.5	24	503148-109*	10
25.5	11.5	24	503148-089*	8

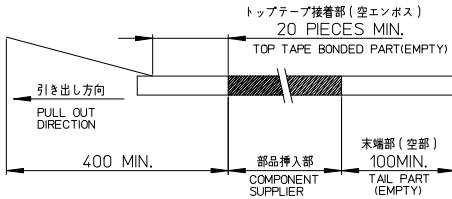
C	B	エンボステープ幅 A WIDTH OF TAPE	製品番号 MATERIAL No.	CIRCUIT No.
---	---	-----------------------------	----------------------	-------------

REVISED IEC NO: J2015-0024 DRAWN: WAKE 2014/06/02 CHKD: KASAKAWA 2014/06/02 APPR: NUKITA 2014/07/08 REVISION DESCRIPTION	GENERAL TOLERANCES (UNLESS SPECIFIED)		DIMENSION STYLE MM ONLY	SCALE 2:1	DESIGN UNITS METRIC	THIRD ANGLE PROJECTION
	10 UNDER	±0.2	DRAWN BY T. HANYU	DATE 2007/11/26	TITLE EMBOSSSED TAPE PACKAGE FOR 503148-****	
	10 OVER 30 UNDER	±0.25	CHECKED BY K. ASAKAWA	DATE 2007/11/26		
	30 OVER	±0.3	APPROVED BY YO. ITO	DATE 2007/11/26		
ANGULAR ±1°		MATERIAL NO.		DOCUMENT NO.	SHEET NO.	
DRAFT WHERE APPLICABLE MUST REMAIN WITHIN DIMENSIONS		SEE CHART		SD-503148-002	1 OF 2	
THIS DRAWING CONTAINS INFORMATION THAT IS PROPRIETARY TO MOLEX INCORPORATED AND SHOULD NOT BE USED WITHOUT WRITTEN PERMISSION						

Contact us: sales@integrated-circuit.com Website: www.integrated-circuit.com

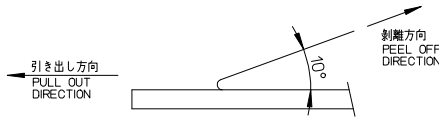
NOTE

- 梱包数量 : 550個/リール
NUMBER OF CONNECTORS : 550 PIECES/REEL
- リードテープ長さ
LEAD TAPE LENGTH



- トップテープの剥離強度 : 0.1~0.3 N (10.2~132.5gf)
剥離方向は下記参照。
PEELING OFF FORCE OF TOP TAPE
PEELING DIRECTION AS SHOWN IN FOLLOWING FIGURE.

尚、本規格は出荷時に適用。(但し、輸送時に剥離が発生しない事)
THIS REQUIREMENT SHOULD BE APPLIED AT SHIPMENT.
PEEL OFF SHOULD NOT BE ALLOWED, DURING TRANSPORTATION.



- 製品詳細寸法については、SD-503148-001を参照して下さい。
PLEASE REFER TO SD-503148-001 FOR THE DETAILED DIMENSION OF THE CONNECTOR.

MATERIAL No. AND CONNECTOR SERIES No.



HOUSING COLOR CIRCUIT No.	MATERIAL No.				
	黒 BLACK	赤 RED	青 BLUE	緑 GREEN	ベージュ BEIGE (NATURAL)
CIRCUIT No.26	503148-2691	503148-2692	503148-2694	503148-2696	503148-2690
CIRCUIT No.24	2491	2492	2494	2496	2490
CIRCUIT No.22	2291	2292	2294	2296	2290
CIRCUIT No.20	2091	2092	2094	2096	2090
CIRCUIT No.18	1891	1892	1894	1896	1890
CIRCUIT No.16	1691	1692	1694	1696	1690
CIRCUIT No.14	1491	1492	1494	1496	1490
CIRCUIT No.12	1291	1292	1294	1296	1290
CIRCUIT No.10	1091	1092	1094	1096	1090
CIRCUIT No.8	503148-0891	503148-0892	503148-0894	503148-0896	503148-0890
CONNECTOR SERIES No.	503148-**91	503148-**92	503148-**94	503148-**96	503148-**90

- 材料
MATERIAL
キャリアテープ : ポリスチレン
CARRIER TAPE : POLYSTYRENE
トップテープ : ポリエステル、ポリエチレン、ポリエチレンテレフタレート
TOP TAPE : POLYESTER, POLYETHYLENE, POLYETHYLENE TEREPHTHALATE
リール : ポリスチレン (リサイクル材含む)
REEL : POLYSTYRENE (RECYCLE MATERIAL CONTAINED)
- ELV及びRoHS適合品
ELV AND RoHS COMPLIANT

REVISED EC NO: J2015-0024 DRAWN: YMAE 2014/06/02 CHKD: ASAKAWA 2014/06/02 APPR: NUKITA 2014/07/08 REV DESCRIPTION	GENERAL TOLERANCES (UNLESS SPECIFIED)		DIMENSION STYLE MM ONLY	SCALE 2:1	DESIGN UNITS METRIC	THIRD ANGLE PROJECTION
	10 UNDER	± 0.2	DRAWN BY T. HANYU	DATE 2007/11/26	TITLE EMBOSSSED TAPE PACKAGE FOR 503148-****	
	10 OVER 30 UNDER	± 0.25	CHECKED BY K. ASAKAWA	DATE 2007/11/26		
	30 OVER	± 0.3	APPROVED BY YO. ITO	DATE 2007/11/26		
ANGULAR ±1 °		MATERIAL NO. SEE CHART		DOCUMENT NO. SD-503148-002	SHEET NO. 2 OF 2	
DRAFT WHERE APPLICABLE MUST REMAIN WITHIN DIMENSIONS		THIS DRAWING CONTAINS INFORMATION THAT IS PROPRIETARY TO MOLEX INCORPORATED AND SHOULD NOT BE USED WITHOUT WRITTEN PERMISSION				