

## Excellent Integrated System Limited

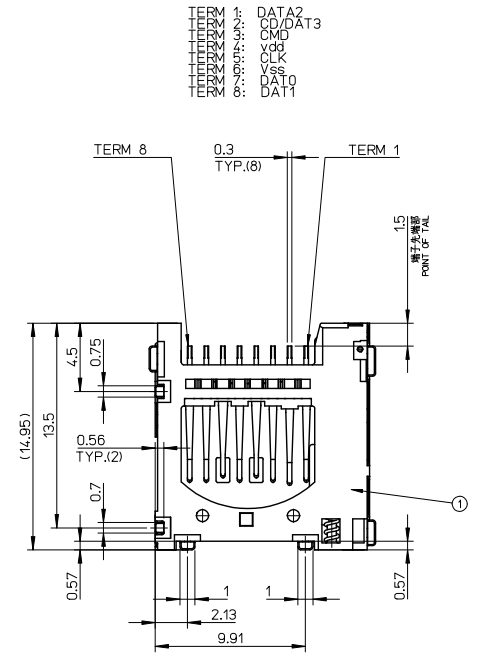
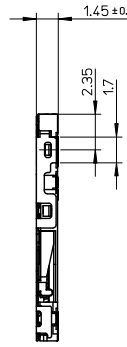
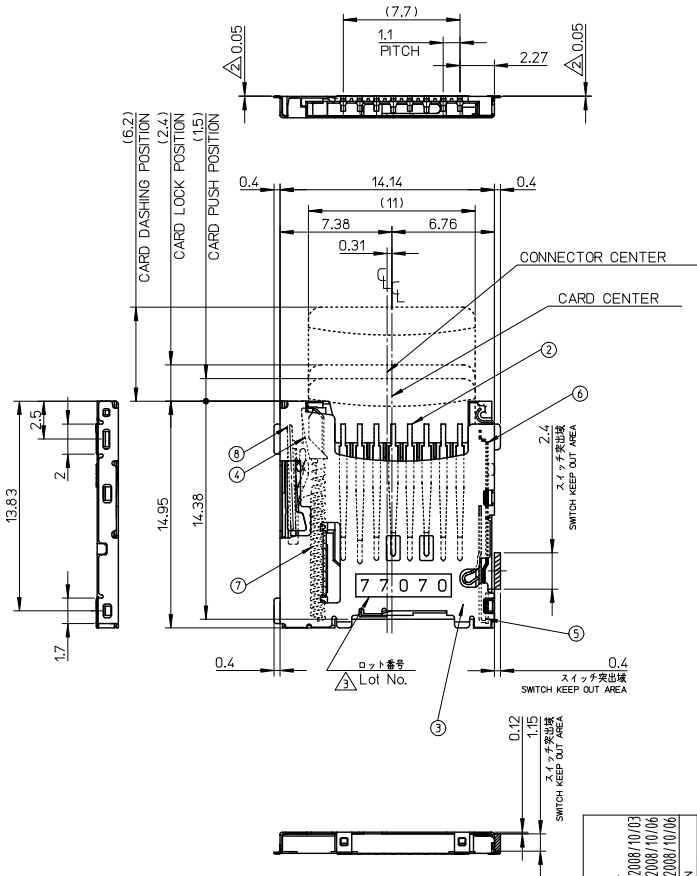
Stocking Distributor

Click to view price, real time Inventory, Delivery & Lifecycle Information:

[Molex Connector Corporation](#)  
[5031820892](#)

For any questions, you can email us directly:

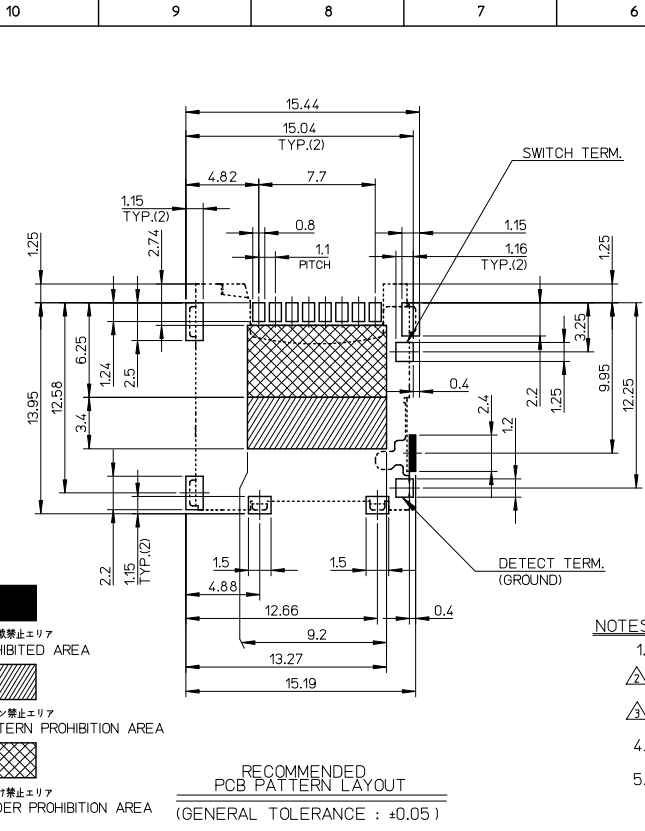
[sales@integrated-circuit.com](mailto:sales@integrated-circuit.com)



TERMINAL SIGNALS:  
 TERM 1: CMD  
 TERM 2: DAT3  
 TERM 3: VDD  
 TERM 4: CLK  
 TERM 5: VSS  
 TERM 6: DAT0  
 TERM 7: DAT1

503182-0892	503182-0812	503182-08**
EMBOSSED TAPE	MATERIAL NO.	MODEL NO.
ORDER No. オーダー番号		

<b>PROPOSED</b> EC NO. J2009-0844 DRWN:YNAITO 2008/10/03 CHKD:MTOMITA 2008/10/06 APPR:MSASAO 2008/10/06	GENERAL TOLERANCES (UNLESS SPECIFIED)		DIMENSION STYLE	SCALE	DESIGN UNITS	THIRD ANGLE PROJECTION
	10 UNDER	± 0.2	MM ONLY	4:1	METRIC	
	10 OVER	30 UNDER	± 0.25	DRAWN BY	DATE	TITLE
	30 OVER		± 0.3	YNAITO	2008/10/06	MICRO SD CONN. NORMAL ULTRA LOW-PROFILE ASSY
DESCRIPTION DRAFT WHERE APPLICABLE MUST REMAIN WITHIN DIMENSIONS	ANGULAR ±1 °		CHECKED BY	DATE	APPROVED BY	DATE
	SEE CHART		MTOMITA	2008/10/06	MSASAO	2008/10/06
	MATERIAL NO.		DOCUMENT NO.		SHEET NO.	
A		A		MOLEX INCORPORATED		1 OF 2
		THIS DRAWING CONTAINS INFORMATION THAT IS PROPRIETARY TO MOLEX INCORPORATED AND SHOULD NOT BE USED WITHOUT WRITTEN PERMISSION		SD-503182-001		



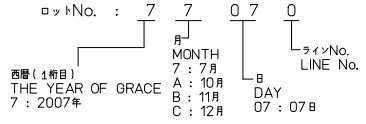
番号 No.	名称 NAME	材料 MATERIAL
①	ハウジング HOUSING	液晶ポリマー(LCP) UL94V-0 LIQUID CRYSTAL POLYMER (LCP), UL94V-0.
②	ターミナル TERMINAL	銅合金、接点部: 金めっき 0.5MICROMETER MIN. 半田付部: 錫めっき 2.0MICROMETER MIN. 下地: ニッケルめっき 1.0MICROMETER MIN. COPPER ALLOY, CONTACT AREA: GOLD(0.5 MICROMETER MINIMUM) TAIL AREA: TIN(2.0 MICROMETER MINIMUM) UNDER PLATING: NICKEL(1.0 MICROMETER MINIMUM)
③	メタルシェル METAL SHELL	ステンレス鋼、半田付部: 金めっき 0.03MICROMETER MIN. 下地: ニッケルめっき 0.5MICROMETER MIN. STAINLESS STEEL, TAIL AREA: GOLD(0.03 MICROMETER MINIMUM) UNDER PLATING: NICKEL(0.5 MICROMETER MINIMUM)
④	カムスライダ CAM SLIDER	液晶ポリマー(LCP) UL94V-0 LIQUID CRYSTAL POLYMER (LCP), UL94V-0.
⑤	ディテクトネイル DETECT NAIL	銅合金、接点部: 金めっき 0.2MICROMETER MIN. 半田付部: 金めっき 0.2MICROMETER MIN. 下地: ニッケルめっき 1.0MICROMETER MIN. COPPER ALLOY, CONTACT AREA: GOLD(0.2 MICROMETER MINIMUM) TAIL AREA: GOLD(0.2 MICROMETER MINIMUM) UNDER PLATING: NICKEL(1.0 MICROMETER MINIMUM)
⑥	スイッチネイル SWITCH NAIL	銅合金、接点部: 金めっき 0.2MICROMETER MIN. 半田付部: 金めっき 0.03MICROMETER MIN. 下地: ニッケルめっき 1.0MICROMETER MIN. COPPER ALLOY, CONTACT AREA: GOLD(0.2 MICROMETER MINIMUM) TAIL AREA: GOLD(0.03 MICROMETER MINIMUM) UNDER PLATING: NICKEL(1.0 MICROMETER MINIMUM)
⑦	スプリング SPRING	ビヤ線 SWP
⑧	カムピン CAM PIN	ステンレス鋼 STAINLESS STEEL

CONFIDENTIAL

**NOTES**

- ターミナル及びネイルの平坦度は0.1MAX.とする。  
COPLANARITY OF TERMINAL AND NAIL IS TO BE 0.1MAX.
- スタンドオフ寸法 DIMENSIONS OF STAND OFF.
- ロット印字は任意とする。  
LOT NUMBERING IS TO BE OPTIONAL.
- 肉抜き位置は任意とする。  
CAVITY IS TO BE OPTIONAL.
- カード検知スイッチ DETECT SWITCH
- ELV及びRoHS適合品 ELV AND RoHS COMPLIANT.

カード挿入時 CARD INSERTING POSITION	クローズ CLOSED
カード未挿入時 NO CARD POSITION	オープン OPEN



SEE SHEET 1 OF 2 EC NO. J2009-0844 DRAWN BY: YNAITO 2008/10/03 CHKD: MTOMITA 2008/10/06 APPR: MSASAO 2008/10/06	GENERAL TOLERANCES (UNLESS SPECIFIED)	DIMENSION STYLE MM ONLY	SCALE 4:1	DESIGN UNITS METRIC	THIRD ANGLE PROJECTION
	10 UNDER ±0.2	DRAWN BY DATE YNAITO 2008/10/06	TITLE MICRO SD CONN. NORMAL ULTRA LOW-PROFILE ASSY		
	10 OVER 30 UNDER ±0.25	CHECKED BY DATE MTOMITA 2008/10/06	MOLEX INCORPORATED		
	30 OVER ±0.3	APPROVED BY DATE MSASAO 2008/10/06	DOCUMENT NO. SD-503182-001		
ANGULAR ±1 °	MATERIAL NO. SEE CHART		SHEET NO. 2 OF 2		
DRAFT WHERE APPLICABLE MUST REMAIN WITHIN DIMENSIONS	THIS DRAWING CONTAINS INFORMATION THAT IS PROPRIETARY TO MOLEX INCORPORATED AND SHOULD NOT BE USED WITHOUT WRITTEN PERMISSION				