

## Excellent Integrated System Limited

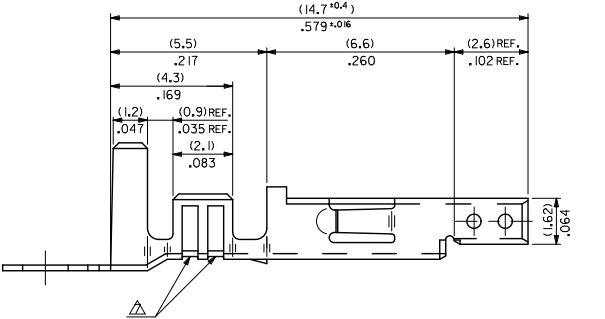
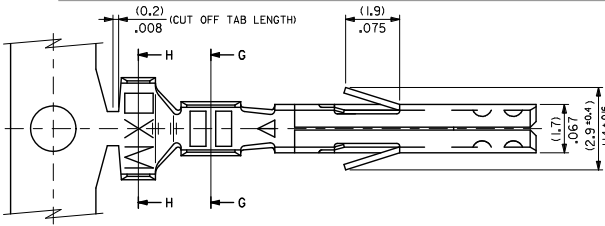
Stocking Distributor

Click to view price, real time Inventory, Delivery & Lifecycle Information:

[Molex Connector Corporation](#)  
[0039000078](#)

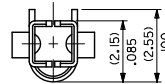
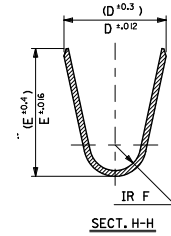
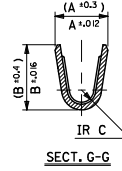
For any questions, you can email us directly:

[sales@integrated-circuit.com](mailto:sales@integrated-circuit.com)



NOTES

1. MATERIAL: SEE CHART.
2. FINISH: SEE CHART.
3. PRODUCT SPECIFICATION: PS-5556-001, PS-5556-002, PS-5556-003.
4. PACKAGING SPECIFICATION: PK-5556-001 FOR CHAIN TERMINALS, PK-5556-003 FOR LOOSE TERMINALS.
5. MATES WITH: 5558, 5566, 5569, 30069, 30070, 42440, 42404, 43879, 43810, 44068.
6. APPLICABLE HOUSING: 5557, 30067, 44516, OR 42474.
7. THE NUMBER OF SERRATIONS TO BE ONE FOR WIRE RANGE #22-28.
8. WHEN TERMINALS ARE INSTALLED IN THE HOUSING THE WIRES ARE TO BE DRESSED IN SUCH A MANNER TO ALLOW THE TERMINALS TO FLOAT FREELY IN THE POCKET.
9. THIS TERMINAL IS DESIGNED FOR SINGLE WIRE CRIMPING.
10. PART CONFORMS TO CLASS 'B' REQUIREMENTS OF COSMETIC SPECIFICATION PS-45499-002.'



TIN PLATED PHOSPHOR BRONZE	(0.9)	(4.5)	(3.6)	(0.6)	(2.7)	(2.3)	(3.1)	#16	-0080	PBT3L	LOOSE
	.035	.177	.142	.024	.106	.091	∅ .122 MAX.		-0079	PBT3	CHAIN
	(0.6)	(2.3)	(2.3)	(0.4)	(1.65)	(1.8)	(0.9-1.8)	#22-28	-0066	PBT2L	LOOSE
	.024	.091	.091	.016	.065	.071	∅ .035-.071		-0065	PBT2	CHAIN
TIN OVER COPPER PLATED BRASS	(0.9)	(4.5)	(3.6)	(0.5)	(2.3)	(1.9)	(1.3-3.1)	#18-24	-0060	PBTL	LOOSE
	.035	.177	.142	.020	.091	.075	∅ .051-.122		-0059	PBT	CHAIN
	(0.9)	(4.5)	(3.6)	(0.6)	(2.7)	(2.3)	(3.1)	#16	-0078	T3L	LOOSE
	.035	.177	.142	.024	.106	.091	∅ .122 MAX.		-0077	T3	CHAIN
MATERIAL	(0.6)	(2.3)	(2.3)	(0.4)	(1.65)	(1.8)	(0.9-1.8)	#22-28	-0047	T2L	LOOSE
	.024	.091	.091	.016	.065	.071	∅ .035-.071		-0046	T2	CHAIN
	(0.9)	(4.5)	(3.6)	(0.5)	(2.3)	(1.9)	(1.3-3.1)	#18-24	-0039	TL	LOOSE
	.035	.177	.142	.020	.091	.075	∅ .051-.122		39-00-0038	5556 T	CHAIN

OBS UNUSUED PANS EC NO: UCP2012-1100 DRAWING NO: 2011/0104 CHKD: BELL 2011/0106 APPROV: SMITH 2011/01/11 K2	QUALITY SYMBOLS ▽=0 ▽=0 ▽=0	GENERAL TOLERANCES (UNLESS SPECIFIED)		DIMENSION STYLE		SCALE	DESIGN UNITS	THIRD ANGLE PROJECTION	
		mm	INCH	MM/IN	DATE	10:1	METRIC	MINI FIT JR OVERALL TIN FEMALE CRIMP TERMINAL	
		4 PLACES ±---	±---	DRAWN BY	DATE	MATERIAL NO. DOCUMENT NO. SHEET NO.			
		3 PLACES ±---	±.008	HIRAMOTO	1991/05/18	SD-5556**** 1 OF 1			
2 PLACES ±0.2	±.008	CHECKED BY	DATE	MATERIAL NO. DOCUMENT NO. SHEET NO.					
1 PLACE ±0.2	±---	FUKSHIMA	1998/11/09	SD-5556**** 1 OF 1					
ANGULAR ± 3°		APPROVED BY	DATE	MATERIAL NO. DOCUMENT NO. SHEET NO.					
DRAFT WHERE APPLICABLE MUST REMAIN WITHIN DIMENSIONS		SMITH	2011/02/21	SD-5556**** 1 OF 1					
SIZE		SEE CHART		MATERIAL NO. DOCUMENT NO. SHEET NO.					
C		THIS DRAWING CONTAINS INFORMATION THAT IS PROPRIETARY TO MOLEX INCORPORATED AND SHOULD NOT BE USED WITHOUT WRITTEN PERMISSION		MATERIAL NO. DOCUMENT NO. SHEET NO.					