

Excellent Integrated System Limited

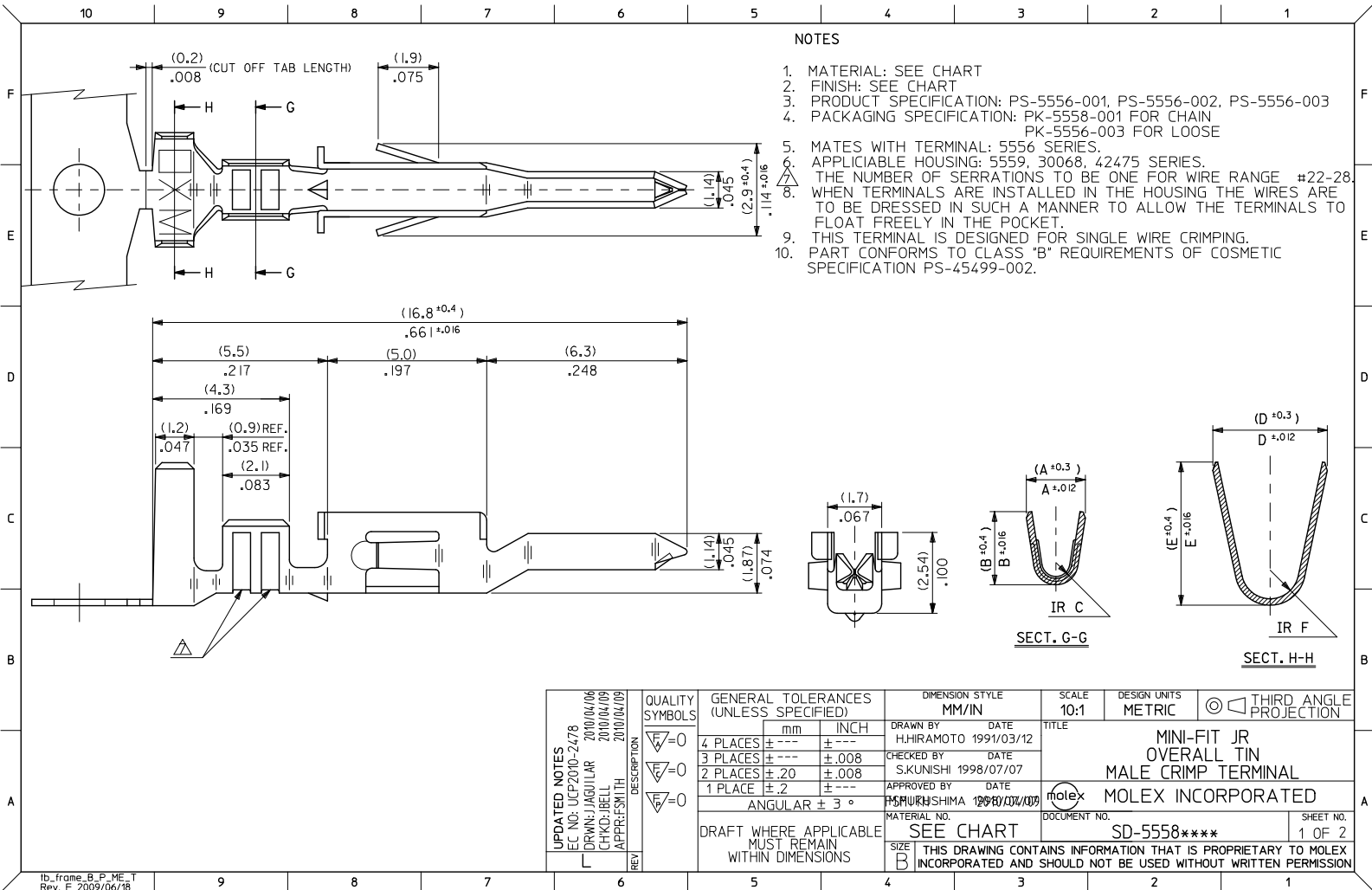
Stocking Distributor

Click to view price, real time Inventory, Delivery & Lifecycle Information:

[Molex Connector Corporation](#)
[39-00-0084](#)

For any questions, you can email us directly:

sales@integrated-circuit.com



NOTES

1. MATERIAL: SEE CHART
2. FINISH: SEE CHART
3. PRODUCT SPECIFICATION: PS-5556-001, PS-5556-002, PS-5556-003
4. PACKAGING SPECIFICATION: PK-5558-001 FOR CHAIN
PK-5556-003 FOR LOOSE
5. MATES WITH TERMINAL: 5556 SERIES.
6. APPLICABLE HOUSING: 5559, 30068, 42475 SERIES.
7. THE NUMBER OF SERRATIONS TO BE ONE FOR WIRE RANGE #22-28.
8. WHEN TERMINALS ARE INSTALLED IN THE HOUSING THE WIRES ARE TO BE DRESSED IN SUCH A MANNER TO ALLOW THE TERMINALS TO FLOAT FREELY IN THE POCKET.
9. THIS TERMINAL IS DESIGNED FOR SINGLE WIRE CRIMPING.
10. PART CONFORMS TO CLASS "B" REQUIREMENTS OF COSMETIC SPECIFICATION PS-45499-002.

<p>UPDATED NOTES EC NO: LCP2010-2478 DRAWN: JAGUILAR 2010/04/06 CHKD: BELL 2010/04/09 APPR: SMITH 2010/04/09</p>	<p>QUALITY SYMBOLS</p> <p>▽=0</p> <p>▽=0</p> <p>▽=0</p>	<p>GENERAL TOLERANCES (UNLESS SPECIFIED)</p> <table border="1"> <thead> <tr> <th></th> <th>mm</th> <th>INCH</th> </tr> </thead> <tbody> <tr> <td>4 PLACES</td> <td>± .15</td> <td>± .005</td> </tr> <tr> <td>3 PLACES</td> <td>± .10</td> <td>± .003</td> </tr> <tr> <td>2 PLACES</td> <td>± .20</td> <td>± .008</td> </tr> <tr> <td>1 PLACE</td> <td>± .2</td> <td>± .008</td> </tr> </tbody> </table> <p>ANGULAR ± 3°</p>		mm	INCH	4 PLACES	± .15	± .005	3 PLACES	± .10	± .003	2 PLACES	± .20	± .008	1 PLACE	± .2	± .008	<p>DIMENSION STYLE</p> <p>MM/IN</p> <p>DRAWN BY: H.HIRAMOTO DATE: 1991/03/12</p> <p>CHECKED BY: S.KUNISHI DATE: 1998/07/07</p> <p>APPROVED BY: M.MURAKUSHIMA DATE: 1998/07/07</p> <p>MATERIAL NO. SEE CHART</p>	<p>SCALE</p> <p>10:1</p>	<p>DESIGN UNITS</p> <p>METRIC</p>	<p>THIRD ANGLE PROJECTION</p>
		mm	INCH																		
	4 PLACES	± .15	± .005																		
	3 PLACES	± .10	± .003																		
2 PLACES	± .20	± .008																			
1 PLACE	± .2	± .008																			
<p>DRAFT WHERE APPLICABLE MUST REMAIN WITHIN DIMENSIONS</p>		<p>MOLEX INCORPORATED</p> <p>SD-5558****</p>	<p>TITLE</p> <p>MINI-FIT JR OVERALL TIN MALE CRIMP TERMINAL</p>	<p>SHEET NO.</p> <p>1 OF 2</p>																	
<p>THIS DRAWING CONTAINS INFORMATION THAT IS PROPRIETARY TO MOLEX INCORPORATED AND SHOULD NOT BE USED WITHOUT WRITTEN PERMISSION</p>																					
<p>10...frame_B_P_MC_T Rev. F 2009/06/18</p>																					

10 9 8 7 6 5 4 3 2 1

TIN PLATED PHOSPHOR BRONZE	(0.9)	(4.5)	(3.6)	(0.6)	(2.7)	(2.3)	∅ (3.1)	#16	39-00-0084	5558 PBT3L	LOOSE
	.035	.177	.142	.024	.106	.091	.122		↑ -0083	↑ PBT3	CHAIN
	(0.6)	(2.3)	(2.3)	(0.4)	(1.65)	(1.8)	∅ (0.9-1.8)	#22-28	-0068	PBT2L	LOOSE
	.024	.091	.091	.016	.065	.071	∅ .035-.071		-0067	PBT2	CHAIN
TIN OVER COPPER PLATED BRASS	(0.9)	(4.5)	(3.6)	(0.5)	(2.3)	(1.9)	∅ (1.3-3.1)	#18-24	-0062	PBTL	LOOSE
	.035	.177	.142	.020	.091	.075	∅ .051-.122		-0061	PBT	CHAIN
	(0.9)	(4.5)	(3.6)	(0.6)	(2.7)	(2.3)	∅ (3.1)	#16	-0082	T3L	LOOSE
	.035	.177	.142	.024	.106	.091	.122		-0081	T3	CHAIN
MATERIAL	(0.6)	(2.3)	(2.3)	(0.4)	(1.65)	(1.8)	∅ (0.9-1.8)	#22-28	-0049	T2L	LOOSE
	.024	.091	.091	.016	.065	.071	∅ .035-.071		-0048	T2	CHAIN
	(0.9)	(4.5)	(3.6)	(0.5)	(2.3)	(1.9)	∅ (1.3-3.1)	#18-24	↓ -0041	↓ TL	LOOSE
	.035	.177	.142	.020	.091	.075	∅ .051-.122		39-00-0040	5558 T	CHAIN

UPDATE TITLE BLOCK EC NO: UCP2010-2478 DRAWN: JAGUILAR 2010/04/06 CHECK: BELL 2010/04/09 APPROVE: SMITH 2010/04/09 REV:	QUALITY SYMBOLS	GENERAL TOLERANCES (UNLESS SPECIFIED)		DIMENSION STYLE		SCALE	DESIGN UNITS	THIRD ANGLE PROJECTION
	▽=0	mm	INCH	MM/IN	10:1	METRIC	☉	
	▽=0	4 PLACES ± .008	± .008	DATE	TITLE			
	▽=0	3 PLACES ± .020	± .008	1991/03/12	MINI-FIT JR OVERALL TIN MALE CRIMP TERMINAL			
	1 PLACE ± .2	± .008	DATE	MOLEX INCORPORATED				
	ANGULAR ± 3°		1998/07/07	SD-5558****				
	DRAFT WHERE APPLICABLE MUST REMAIN WITHIN DIMENSIONS	SEE CHART		SHEET NO. 2 OF 2				
		MATERIAL NO.		THIS DRAWING CONTAINS INFORMATION THAT IS PROPRIETARY TO MOLEX INCORPORATED AND SHOULD NOT BE USED WITHOUT WRITTEN PERMISSION				
		SIZE B						

9 8 7 6 5 4 3 2 1