

## Excellent Integrated System Limited

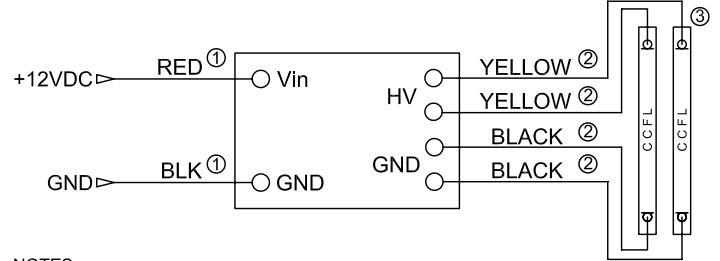
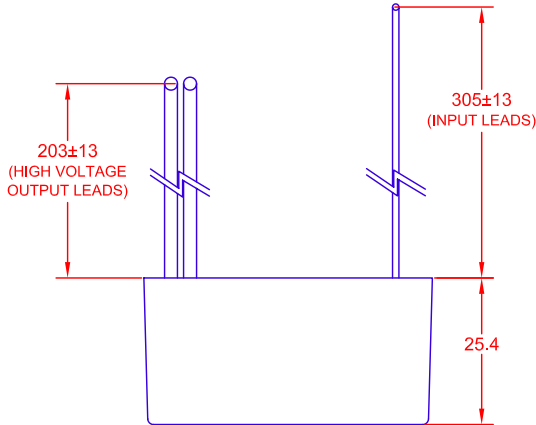
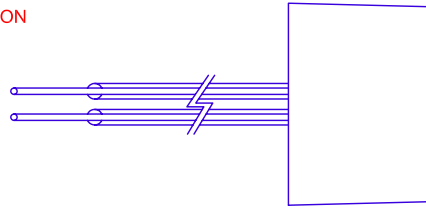
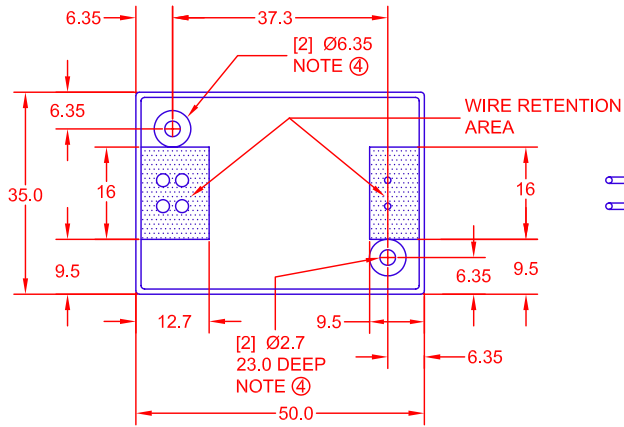
Stocking Distributor

Click to view price, real time Inventory, Delivery & Lifecycle Information:

[JKL Components Corporation](#)  
[BXA-12529/PS1](#)

For any questions, you can email us directly:  
[sales@integrated-circuit.com](mailto:sales@integrated-circuit.com)

REV.	DESCRIPTION/ECO NO.	DATE
A	PROD. RELEASED	11/4/98
B	WIRE DESIGN PLACEMENT CORRECT.	12/9/03
C	ADD LOCATION OF WIRES IN COMPOUND & NOTES	7/12/07



- NOTES:
- REVERSE POLARITY TO INVERTER INPUT WILL CAUSE AN OPEN CIRCUIT IN INTERNAL FUSE.
  - WIRE SIZE 22 AWG, SOFT FLEXIBLE PVC INSULATION NOMINAL O.D. 2.3mm TEMPERATURE RANGE -80 TO +105 C.
  - REFERENCE DRAWING BXA-12529 FOR SINGLE LAMP OPERATION.
  - USE 6-32-0.75 INCH LONG TYPE F SCREWS IN LOCATIONS.

**OPERATING SPECIFICATIONS**

CHARACTERISTICS	MIN	TYP	MAX
INPUT VOLTAGE: (vdc)	10.0	12.0	13.2
INPUT CURRENT: (mA)	200	260	500
OUTPUT VOLTAGE: (Vrms)	950	1000	1050
OUTPUT CURRENT 2 X (mA)	4.5	5.5	6.5
OUTPUT FREQUENCY: (kHz)	25	35	45
OPERATING TEMP: (CELSIUS)	0	25	50

<p>METRIC THIRD ANGLE PROJECTION</p>	<p>DIMENSIONS ARE IN MILLIMETERS</p> <p>TOLERANCE UNLESS OTHERWISE SPECIFIED</p> <p>1 PL +/- 0.5</p> <p>2 PL +/- 0.3</p> <p>ANGLE +/- 0</p>	<p><b>JKL COMPONENTS CORPORATION</b></p>			
	<p>TITLE 12 VDC INPUT, DUAL OUTPUT, ENCAPSULATED CCFL INVERTER</p>				
<p>DRAWN BY L. WENGSTROM</p>	<p>APP'VD BY L.R.</p>	<p>DATE 7/12/07</p>	<p>SIZE A</p>	<p>FSCM NO. 55335</p>	<p>DRAWING NO. BXA-12529/PS1</p>
<p>- CAD DRAWING - MANUAL REVISIONS NOT PERMITTED</p>			<p>SCALE NONE</p>	<p>RELEASED DATE 11/4/98</p>	<p>REVISION DATE 7/12/07</p>
				<p>REV. NO. C</p>	<p>SHEET 1 OF 1</p>