

Excellent Integrated System Limited

Stocking Distributor

Click to view price, real time Inventory, Delivery & Lifecycle Information:

[B&K Precision](#)
[1275](#)

For any questions, you can email us directly:
sales@integrated-circuit.com



BK PRECISION

BK PRECISION

Instruction Manual

B&K PRECISION CORPORATION
22820 SAVI RANCH PARKWAY
YORBA LINDA, CA. 92887-4604
TELE: 714-921-9095
FAX : 714-921-6422

PN: 480 - 816 - 9 - 001
Printed in China
©1998 B&K Precision Corp.

www.bkprecision.com

Model 1275 Computer Monitor Generator



SAFETY GUIDELINES

WARNING

An electrical current of over 10 milliamps passing through the heart will stop most human hearts. Voltage of as low as 35Volts dc or ac rms should be considered hazardous since it can produce lethal current under certain conditions. Be sure to observe the following safety precautions:

1. There are no high voltages in the color pattern generator, but the equipment under test usually contains hazardous high voltage. Always follow the safety recommendations of the manufacturer of your equipment.
2. Some equipment may be wired as a "hot chassis" type; equipment using two-wire power plugs are always suspect and it may even include those with polarized plugs. Never touch chassis of "hot chassis" type equipment to avoid the possibility of a serious, possibly fatal electrical shock.
3. Don't expose yourself needlessly to high voltage; only remove housings and covers when necessary.
4. Familiarize yourself with the equipment being tested and the location of its high voltage points. However be aware that high voltage may appear at unexpected points in defective equipment.
5. Never work alone. Someone should be nearby to render aid if needed. Training in CPR(Cardio-pulmonary resuscitation) is highly recommended.

Service Information

Contact B&K Precision to receive a repair Return Authorization tracking number. This number must be clearly written on the exterior of the shipping carton and will assist us with the processing of your return. Return all merchandise to B&K Precision Corp. with pre-paid shipping. The flat-rate repair charge includes return shipping to locations in North America. For overnight shipments and non-North America shipping fees contact B&K Precision Corp.

Warranty Service: Please return the product in the original packaging with proof of purchase to the below address. Clearly state in writing the performance problem and return any leads, connectors and accessories that you are using with the device.

Non-Warranty Service: Return the product in the original packaging to the below address. Clearly state in writing the performance problem and return any leads, connectors and accessories that you are using with the device. Customers not on open account must include payment in the form of a money order or credit card. For the most current repair charges contact the factory before shipping the product.

B&K Precision Corp.
 1031 Segovia Circle
 Placentia, CA 92870
 Phone: 714- 237-9220
 Facsimile: 714-237-9214

Include with the instrument your complete return shipping address, contact name, phone number and description of problem.

Computer Monitor Tester Model 1275

APPLICATIONS

FEATURES:

- ◆ Tests CGA, EGA, VGA, SVGA, & MAC Monitors
- ◆ Resolution 640X480, 800X600, 1064X768, & 1280X1024
- ◆ Interlaced & Progressive
- ◆ Provides Color bars, Cross-hatch, Dots, Color Raster.
- ◆ Connectors are 9pin D(CGA&EGA), 15pin D(MAC), 15minipin D (VGA, SVGA, and 8514A)
- ◆ Single push button selectable patterns
- ◆ Battery or adapter power source

OPERATION:

1. Place the monitor type switches to the proper position for the type of monitor to be tested.
 2. Connect the monitor to the proper video output connector.
 3. Turn on the power to both the monitor and the test unit.
 4. Press the video pattern push-button to step to the desired pattern.
- By holding the video pattern switch, the output will scroll back to the previously displayed patterns.

USE of PATTERNS

The primary use of this pattern generator is to provide a quick check of the operating condition of a monitor and to allow for the adjustment of the external controls for the best performance.

CROSSHATCH or DOT ---- These patterns are used to check static and dynamic convergence, linearity and pin cushion settings.

COLOR BARS ---- The color bars are used to test the monitors ability to produce proper colors.

RASTER ---- Typically used to check the purity of the primary colors. When these are properly adjusted the white raster should appear pure white.



SPECIFICATIONS

OPERATING CHARACTERISTICS

	CGA	EGA	MACII	VGA 3	SVGA	8514/A	SVGA	SVGA
HORIZONTAL								
Frequency (KHZ)	15.7	21.8	35	31.5	35.2	35.5	48.5	64
Polarity	+	+	-	-	+	+	+	+
VERTICAL								
Frequency(HZ)	60	60	66.7	60	56	87	60	60
Polarity	+	-	-	-	+	+	+	+
Vertical Line	200	350	480	480	600	384	768	1024
Video	TTL	TTL	Analog	Analog	Analog	Analog	Analog	Analog

CONNECTOR PIN ASSIGNMENTS

Pin NO.	1	2	3	4	5	6	7	8	9	10	11	12	13	14	15
EGA	Gnd	Int	Red	Grn	Blu	Int	Int	Hor	Ver						
CGA	Gnd	NC	Red	Grn	Blu	Int	NC	Hor	Ver						
VGA	Red	Grn	Blu	NC	Gnd	Gnd	Gnd	Gnd	NC	Gnd	NC	NC	Hor	Ver	NC
MAC	Gnd	Red	Hor	NC	Grn	Gnd	NC	NC	Blu	NC	Gnd	Ver	Gnd	Gnd	Hor

W/Sync

*MAC: Composite Sync on Green

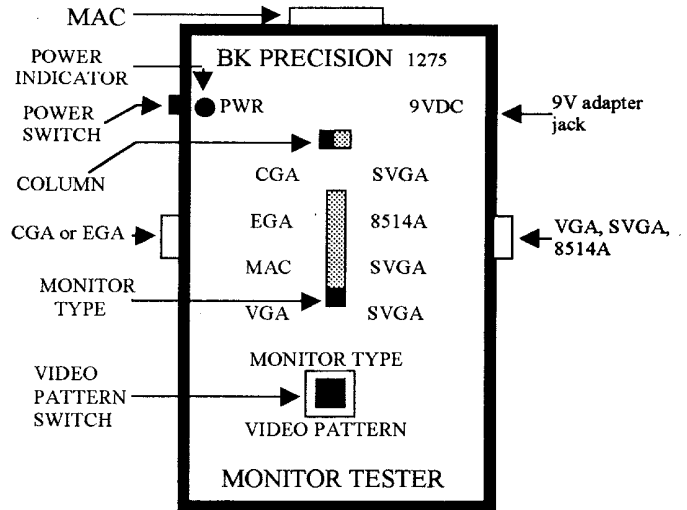
MISCELLANEOUS:

Power: One 9V Battery or an external AC Adapter (**NOT SUPPLIED**)
 (9V DC 100MA 5.5mm x2.1mm)
 Dimensions: 1.5" x 3.8" x 5.7"

Controls and Indicators

1. Power – Slide switch for power on or off.
2. Power Indicator – LED to show when power is on.
3. Column – Left or right column function select slide switch.
4. Monitor Type – Column 1
 CGA – Color Graphics Adapter
 EGA – Enhanced Graphics Adapter
 MAC – 640 x 480
 VGA – Video Graphics Adapter
 640 x 480
 Column 2
 SVGA – Super Video Graphics Adapter
 800 x 600
 8514A – Interlaced
 SVGA – Super Video Graphics Adapter
 1280 x 1024
5. Video Pattern – Step through Color bar, Crosshatch, Dot, and Raster Push button.
6. CGA or EGA Connector
 9 Pin Female, D type
7. MAC Connector
 15 pin Female, D type
8. VGA, SVGA, & 8514A Connector
 15 mini-pin Female, D type
9. 9 Volt Adapter Jack
 Power jack for 9v dc 100mA center pin positive Adapter.

COMPUTER MONITOR PATTERN GENERATOR MODEL 1275





BK PRECISION

Limited One-Year Warranty

B&K Precision Corp. warrants to the original purchaser that its product and the component parts thereof, will be free from defects in workmanship and materials for a period of one year from the date of purchase.

B&K Precision Corp. will, without charge, repair or replace, at its' option, defective product or component parts. Returned product must be accompanied by proof of the purchase date in the form a sales receipt.

To obtain warranty coverage in the U.S.A., this product must be registered by completing and mailing the enclosed warranty card to B&K Precision Corp., 1031 Segovia Circle, Placentia, CA 92870 within fifteen (15) days from proof of purchase.

Exclusions: This warranty does not apply in the event Of misuse or abuse of the product or as a result of unauthorized alternations or repairs. It is void if the serial number is alternated, defaced or removed.

B&K Precision Corp. shall not be liable for any consequential damages, including without limitation damages resulting from loss of use. Some states do not allow limitation of incidental or consequential damages, so the above limitation or exclusion may not apply to you. This warranty gives you specific rights and you may have other rights, which vary from state-to-state.

Model Number: _____ Date Purchased: _____

1031 Segovia Circle
 Placentia, CA 92870

714.237.9220 VOICE
 714.237.9214 FAX

OTHER TEST & MEASUREMENT PRODUCTS AVAILABLE FROM B&K PRECISION

B & K Precision offer many different types of electronic test equipment to suit your needs. Below is a list of the different product categories of test equipment we offer.

High-Performance Oscilloscopes
 Oscilloscope Accessories
 High Performance Multimeters
 Handheld Digital Multimeters
 Bench Top Digital Multimeter
 Digital Multimeter Accessories
 Power Supplies
 Function Generators
 Frequency Counters
 Spectrum Analyzers

SIMM Model Tester
 Universal Device Programmers
 Insulation Testers
 Digital Thermometers
 Capacitance & Semiconductor tester
 Component Testers
 LCR Meters
 Telephone Product Testers
 Video Testers
 CRT Tester/Restorer & analyzers

For more information on these products please contact B&K Precision for your local distributor or to request literature. You can contact us at:

**B&K Precision Corp. 1031 Segovia Circle • Placentia CA,
 92870-7137**

**PHONE (714)-237-9220 • FAX (714)-237-9214
 (800)-462-9832**

www.bkprecision.com