

## Excellent Integrated System Limited

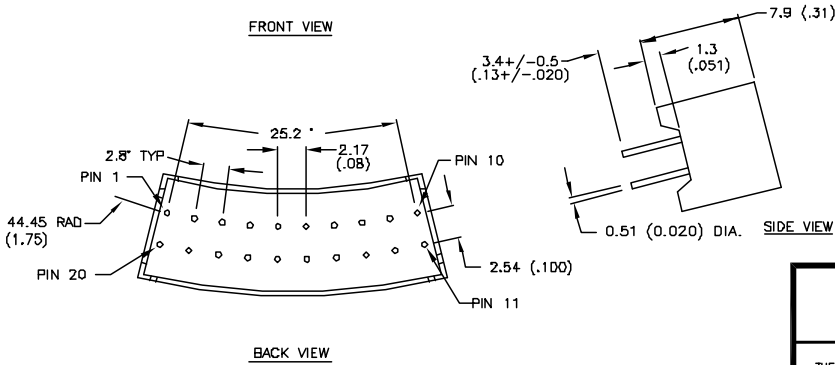
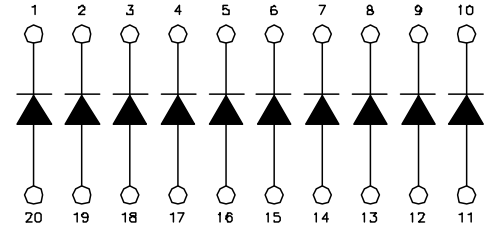
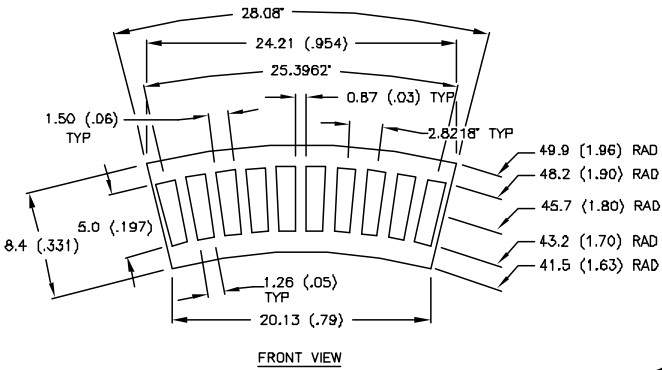
Stocking Distributor

Click to view price, real time Inventory, Delivery & Lifecycle Information:

[Lumex, Inc.](#)  
[SSA-LXB10SRW-10652](#)

For any questions, you can email us directly:  
[sales@integrated-circuit.com](mailto:sales@integrated-circuit.com)

|      |           |     |                                      |     |
|------|-----------|-----|--------------------------------------|-----|
| DATE | REVISIONS | REV | DRAWING NUMBER<br>SSA-LXB10SRW-10652 | REV |
|------|-----------|-----|--------------------------------------|-----|



UNLESS OTHERWISE SPECIFIED TOLERANCE IS  $\pm 0.25\text{mm}$  ( $\pm 0.010''$ )

|  |        |  |                    |
|--|--------|--|--------------------|
| <b>LUMEX</b><br>OPTO COMPONENTS INC.   |        | 290 E. HELLEN ROAD<br>PALATINE, ILLINOIS 60067<br>(847) 359-2790 |                    |
| <small>CONFIDENTIAL INFORMATION<br/>THE INFORMATION CONTAINED IN THIS DOCUMENT IS THE PROPERTY OF LUMEX OPTO/COMPONENTS, INC. EXCEPT AS SPECIFICALLY AUTHORIZED IN WRITING BY LUMEX OPTO/COMPONENTS, INC., THE HOLDER OF THIS DOCUMENT SHALL KEEP ALL INFORMATION CONTAINED HEREIN CONFIDENTIAL AND SHALL PROTECT SAME IN WHOLE OR IN PART FROM DISCLOSURE AND DISSEMINATION TO ALL THIRD PARTIES.</small> |        |  |                    |
| DATE:  | 3-9-95 | DWN:   | CHK'D:             |
| SCALE:   | N/A    |  | APPD:              |
| CUSTOM 10 SEGMENT LED ARRAY,<br>SUPER RED  |        |  |                    |
| PAGE   | 1 OF 2 | DRAWING NUMBER   | SSA-LXB10SRW-10652 |
|  |        | REV  |                    |