

Excellent Integrated System Limited

Stocking Distributor

Click to view price, real time Inventory, Delivery & Lifecycle Information:

[TE Connectivity AMP Connectors](#)
[406562-1](#)

For any questions, you can email us directly:

sales@integrated-circuit.com

4

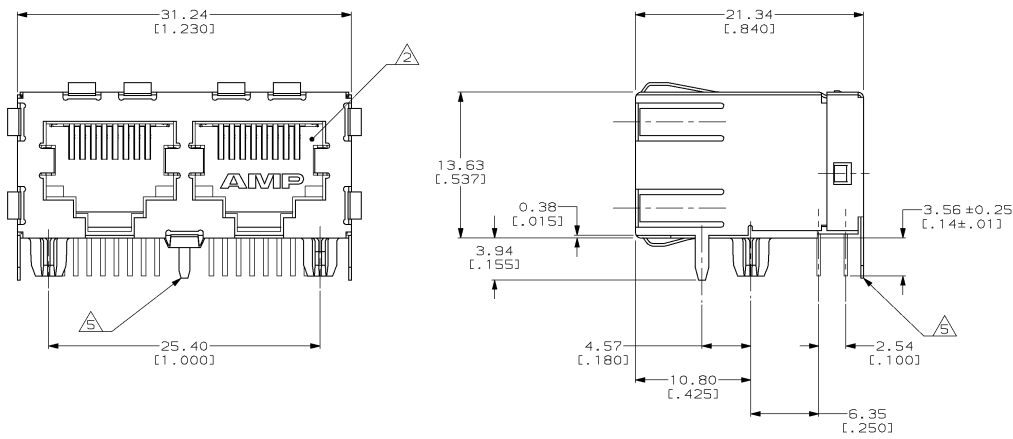
3

2

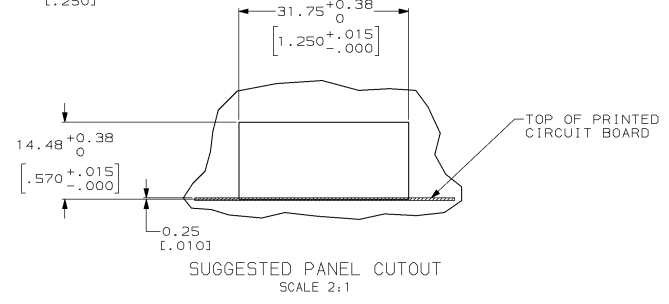
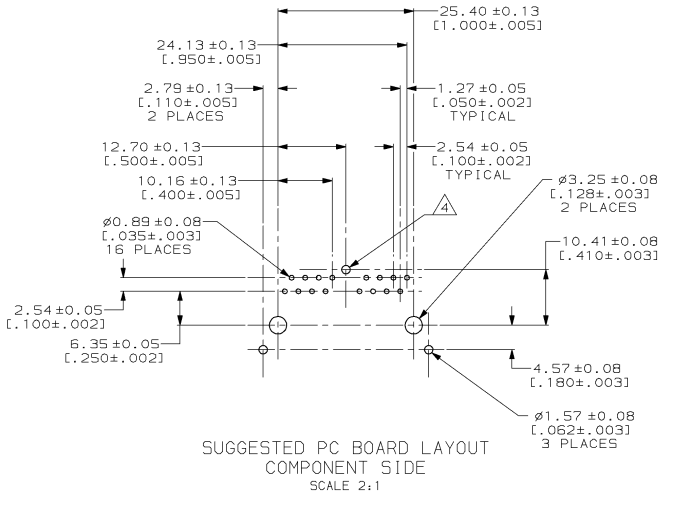
1

THIS DRAWING IS UNPUBLISHED.
 RELEASED FOR PUBLICATION
 BY AMP INCORPORATED. ALL RIGHTS RESERVED.

LOC	DATE	REV	DESCRIPTION	DATE	OWN	APPROV
AA	22	0	RLSD; NPR C97-014	24APR97	DLD	JT



- △ MATERIAL: HOUSING - HIGH TEMPERATURE NYLON, BLACK, IR COMPATIBLE, UL 94V-0. TERMINALS - 0.33 [0.013] THICK PHOS BRONZE PLATED WITH 1.27µm [0.00050] THICK HARD GOLD IN LOCALIZED AREA AND 3.81µm [0.00150] THICK TIN-LEAD IN SOLDER AREA OVER 1.27µm [0.00050] THICK NICKEL UNDERPLATE. SHIELD - 0.254 [0.010] THICK COPPER ALLOY PLATED WITH 2.03µm [0.00080] MINIMUM TIN-LEAD OVER 2.54µm [0.00100] MINIMUM COPPER.
- △ JACK CAVITY CONFORMS TO FCC RULES AND REGULATIONS, PART 68 SUBPART F.
- 3. ALL DIMENSIONS SHOWN ARE NOMINAL UNLESS OTHERWISE SPECIFIED.
- △ THIS HOLE REQUIRED FOR -2 ONLY.
- △ REAR GROUND TAB NOT REQUIRED FOR -1.



WITH REAR PCB GROUND TAB	406562-2																					
△ WITHOUT REAR PCB GROUND TAB	406562-1																					
DESCRIPTION																						
	PART NO.																					
<table border="1"> <tr> <td>DATE: 24APR97</td> <td>DESIGNED BY: DL DRUMMOND</td> <td>AMP Incorporated</td> </tr> <tr> <td>DATE: 25APR97</td> <td>DRAWN BY: DL DRUMMOND</td> <td>Harrisburg, PA 17105-3608</td> </tr> <tr> <td>DATE: 25APR97</td> <td>APP'D BY: TONEY</td> <td></td> </tr> <tr> <td>DATE: 25APR97</td> <td>CHECKED BY: TONEY</td> <td></td> </tr> <tr> <td></td> <td>PRODUCT SPEC: 108-1163</td> <td></td> </tr> <tr> <td></td> <td>APPLICATION SPEC: 114-2048</td> <td></td> </tr> <tr> <td></td> <td>WEIGHT: -</td> <td></td> </tr> </table>		DATE: 24APR97	DESIGNED BY: DL DRUMMOND	AMP Incorporated	DATE: 25APR97	DRAWN BY: DL DRUMMOND	Harrisburg, PA 17105-3608	DATE: 25APR97	APP'D BY: TONEY		DATE: 25APR97	CHECKED BY: TONEY			PRODUCT SPEC: 108-1163			APPLICATION SPEC: 114-2048			WEIGHT: -	
DATE: 24APR97	DESIGNED BY: DL DRUMMOND	AMP Incorporated																				
DATE: 25APR97	DRAWN BY: DL DRUMMOND	Harrisburg, PA 17105-3608																				
DATE: 25APR97	APP'D BY: TONEY																					
DATE: 25APR97	CHECKED BY: TONEY																					
	PRODUCT SPEC: 108-1163																					
	APPLICATION SPEC: 114-2048																					
	WEIGHT: -																					
<table border="1"> <tr> <td>NAME: MODULAR JACK ASSEMBLY, 2 PORT, 8 POSITION, RIGHT ANGLE, SHIELDED, CAT 4</td> <td>SIZE: A2</td> <td>DRAWING NO: 406562</td> </tr> <tr> <td>CUSTOMER DRAWING</td> <td>SCALE: 4:1</td> <td>SHEET: 1 OF 1</td> </tr> </table>		NAME: MODULAR JACK ASSEMBLY, 2 PORT, 8 POSITION, RIGHT ANGLE, SHIELDED, CAT 4	SIZE: A2	DRAWING NO: 406562	CUSTOMER DRAWING	SCALE: 4:1	SHEET: 1 OF 1															
NAME: MODULAR JACK ASSEMBLY, 2 PORT, 8 POSITION, RIGHT ANGLE, SHIELDED, CAT 4	SIZE: A2	DRAWING NO: 406562																				
CUSTOMER DRAWING	SCALE: 4:1	SHEET: 1 OF 1																				

SUGGESTED PC BOARD LAYOUT COMPONENT SIDE SCALE 2:1

SUGGESTED PANEL CUTOUT SCALE 2:1

AMP 1471-S REV 02RAY94