

Excellent Integrated System Limited

Stocking Distributor

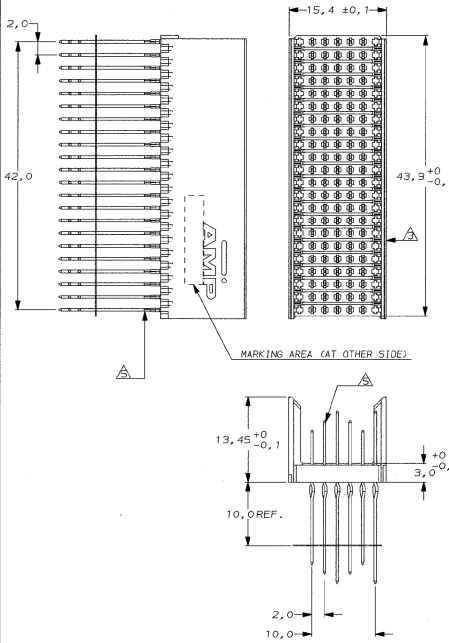
Click to view price, real time Inventory, Delivery & Lifecycle Information:

[TE Connectivity AMP Connectors](#)
[352360-1](#)

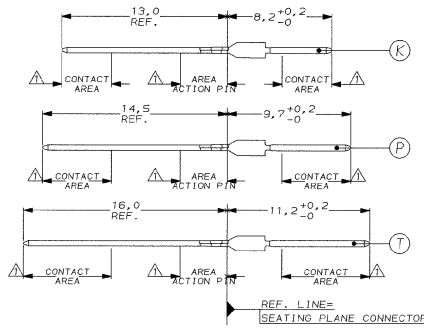
For any questions, you can email us directly:

sales@integrated-circuit.com

CONNECTOR ASSEMBLY
 EXEMPLARY LOADED



CONTACT DIMENSIONS



DO NOT SCALE
 DIMENSIONS IN mm

METRIC

THIRD ANGLE PROJECTION

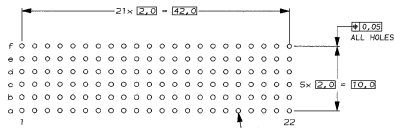
CONTACT LAYOUT

	z	a	b	c	d	e	f
1	K	K	K	K	K	T	
2	K	K	K	K	K	T	
3	K	K	K	K	K	T	
4	K	K	K	K	K	T	
5	K	K	K	K	K	T	
6	K	K	K	K	K	T	
7	K	K	K	K	K	T	
8	K	K	K	K	K	T	
9	K	K	K	K	K	T	
10	K	K	K	K	K	T	
11	K	K	K	K	K	T	
12	K	K	K	K	K	T	
13	K	K	K	K	K	T	
14	K	K	K	K	K	T	
15	K	K	K	K	K	T	
16	K	K	K	K	K	T	
17	K	K	K	K	K	T	
18	K	K	K	K	K	T	
19	P	P	P	P	P	T	
20	P	P	P	P	P	T	
21	P	P	P	P	P	T	
22	P	P	P	P	P	T	

PART NO.	PLATING TABLE			-
	UNDER-COATING µm NI MIN.	CONTACT AREA µm Au MIN.	ACTION-PIN AREA µm	
352360-1	1,3	0,8	0,5-2,5 Sn/Pb	-
-	-	-	-	-
-	-	-	-	-
-	-	-	-	-

NOTES:

- △ FOR FINISH TYPES SEE PLATING TABLE.
- △ MATERIAL CONTACT: PHOSPHORBRONZE.
- △ MATERIAL HOUSING: GREY GLASSFILLED POLYESTER.
- △ MATERIAL POST ALIGNMENT STRIP: UNFILLED POLYESTER.
- △ CONNECTOR MARKED WITH PART NUMBER AND DATE CODE.
- △ PLATED-THROUGH HOLES AT 2x2mm SQUARE GRID, TOTAL 132 HOLES.
- △ FOR ACTUAL PIN LOADING SEE "CONTACT LAYOUT".



RECOMMENDED PCB-HOLE LAY-OUT
 COMPONENT SIDE SHOWN

P.C.B. HOLE DIM. ACTION PIN
 DRILLED HOLE: 0,7±0,025mm
 FIN. HOLE : 0,55 TO 0,65mm
 Cu-thks : 0,025 TO 0,050mm
 SnPb-thks : 0,004 TO 0,010mm

FINISH		MATERIAL		PART NUMBER	
-	-	-	-	-	-
CUSTOMER DRAWING				FOR REFERENCE ONLY. WILL NOT BE UPDATED.	
COPYRIGHT 1999 BY AMP HOLLAND B.V.				ALL INTERNATIONAL RIGHTS RESERVED. AMP PRODUCTS MAY BE COVERED BY U.S. AND FOREIGN AND/OR PATENTS PENDING.	
THIS DRAWING IS UNPUBLISHED				RELEASED FOR PARTITION	
B	EH-0342-00	HW	LV0810-MAR-95	AMP HOLLAND B.V. 's-Hertogenbosch, The Netherlands.	
A	EH-0458-99	LV3H	LV0829-MAR-95	AMP HOLLAND B.V. 's-Hertogenbosch, The Netherlands.	
0		LV3H	LV0827-FEB-95	AMP HOLLAND B.V. 's-Hertogenbosch, The Netherlands.	
LTN	REVISION REQUEST	DR.	CHK.	DATE	
DR.	LV.0.RET.02N	CHK.	LV.0.010.00N	APP. J.T.T.000000000	
DATE:	27-FEB-98	DATE:	27-FEB-98	DATE:	
DWS.No. C-352360				REV. 1/1	
NAME Z-PACK 2mm HM TYPE B				PART NUMBER 352360-1	
132 POS. MALE				CONNECTOR ASSEMBLY 22 COLUMNS	
REV. 1/1				SHEET 1 OF 1	