

Excellent Integrated System Limited

Stocking Distributor

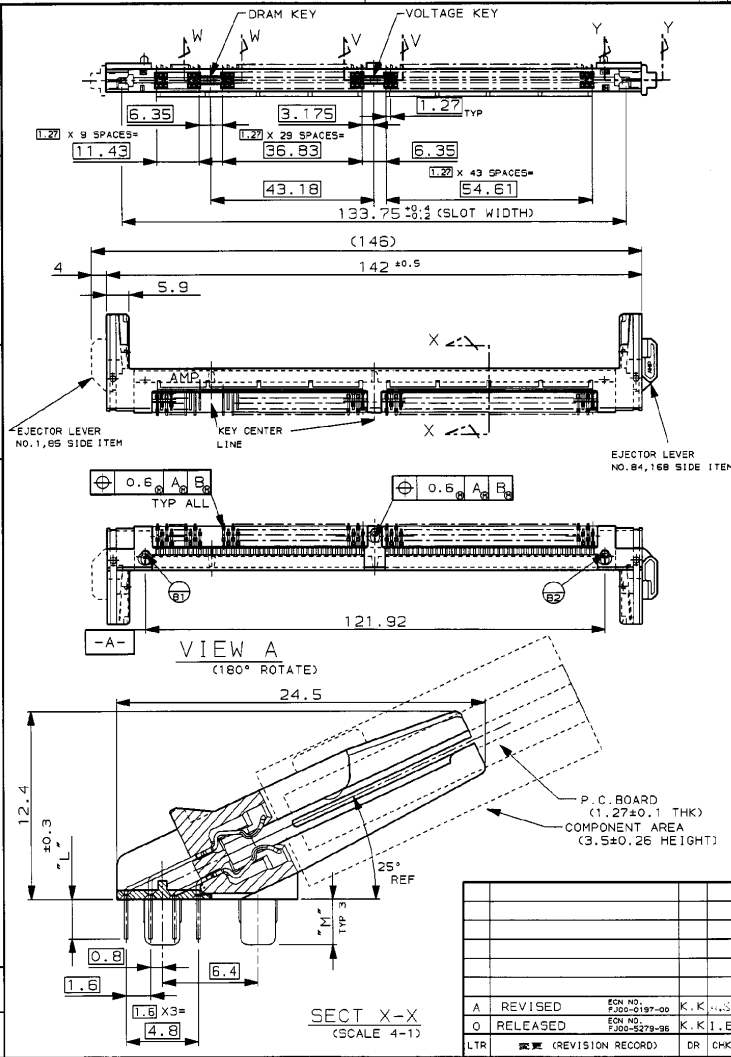
Click to view price, real time Inventory, Delivery & Lifecycle Information:

[TE Connectivity AMP Connectors](#)
[353476-2](#)

For any questions, you can email us directly:

sales@integrated-circuit.com

NUMBER C-353476
 PROJECT NO. 658-105
 PRINT DIST.



NOTES,

- △ MATERIAL, HOUSING & EJECTOR LEVER: L.C.P (HIGH TEMP THERMO PLASTIC) UL 94V-0, NATURAL. (LEVER: BLACK)
- CONTACT: PH05-BRZ
- △ FINISH: CONTACT AREA: 0.0003 MIN GOLD ON 0.0013 MIN ALL OVER NICKEL. SOLDERING AREA: 0.001 MIN TIN-LEAD.
- 3. MODULE KEY POSITION OF CONNECTOR SEE TABLE.

注記:

- △ 材料: ハウジング & エジェクタレバー: L.C.P (耐熱可塑性樹脂) UL94V-0, 自然色。(レバー: 黒色)
- コンタクト: 焼銅
- △ めっき仕様: 接触部 金のつき 0.0003 MIN 厚 ニッケル下地 0.0013 MIN 厚 半田付け部: 半田のつき 0.001 MIN 厚
- 3. コネクタのモジュールキーは表参照の事。

KEYING TYPE
 SECT W-W & SECT V-V (SCALE 2-1)

3	3	RESERVED 5.0V	CIRCUIT NO. 84, 168 SIDE	(D)	(B)	168	2-353476-1
↑	↑	RESERVED 3.3V		(D)	(C)	↑	↑ -2
		RESERVED 5.0V	CIRCUIT NO. 84, 168 SIDE	(D)	(B)	168	1-353476-1
		RESERVED 3.3V		(D)	(C)	↑	↑ -2
2.6	3	RESERVED 5.0V	CIRCUIT NO. 1, 85 SIDE	(D)	(B)	168	353476-1
±0.3	"M"	REMARKS	EJECTOR LEVER MOUNT SIDE	KEYING TYPE		POS	PART NO.

Copyright ©1986年 Tyco Electronics AMP K.K. ALL RIGHTS RESERVED.

Copyright ©1996 Tyco Electronics AMP K.K. ALL RIGHTS RESERVED.

AMP Tyco Electronics AMP K.K. Kawasaki, Japan

低プロファイル型 (WIRE RANGE) 絶縁外皮 (INSULATION DIA.) 品名 (NAME)
 mm² (AWG) mmφ

仕様 (MATERIAL) 仕上 (FINISH)

SEE NOTE SEE NOTE

公差 (GENERAL TOLERANCE)
 10mm ±0.2
 20mm ±0.25
 30mm ±0.3
 40mm ±0.3

図面 (SCALE) 1-1
 公差 (SCALE) 1-1

REV. A
 SHEET 1 OF 3

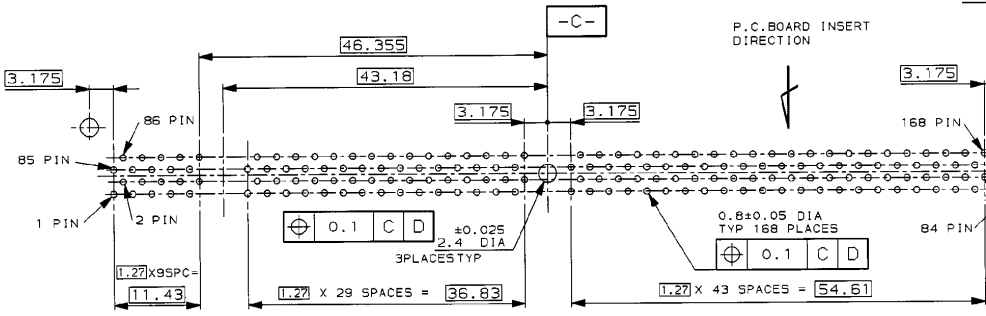
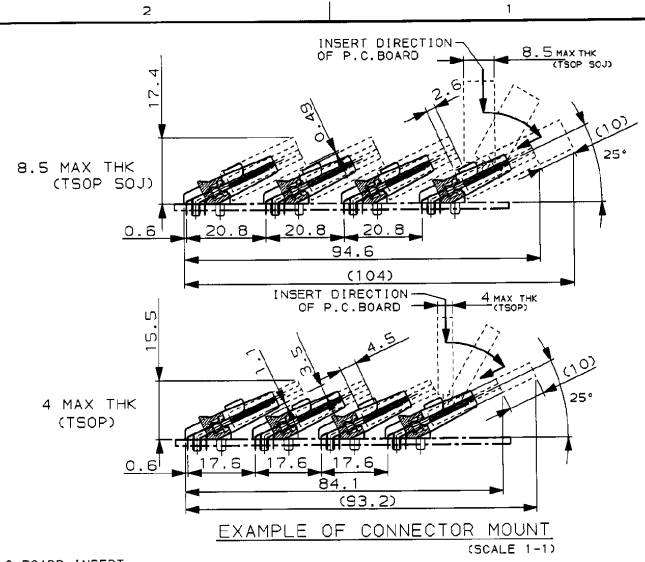
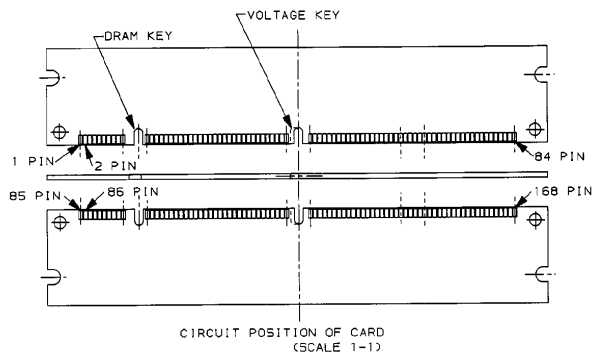
図番 (No.) C-353476

A	REVISED	EON NO. F200-0197-00	K. K.	27-AUG-96	DR. K. KOBAYASHI
0	RELEASED	EON NO. F200-0278-96	K. K. I. E.	27-AUG-96	CHK. Y. YOSHIMURA
LTR	変更 (REVISION RECORD)		DR	CHK	DATE

(CUSTOMER DRAWING) 参考

NUMBER C-353476
 METRIC
 三角度 (3rd ANGLE PROJECTION)

PRINT DIST.
 図面上の寸法はすべてmm単位で表示する (DIMENSIONS IN MM, DO NOT SCALE PRINT)
 PROJ. NO. 6585-105



推奨取付け穴仕様 (コネクター取付け側)
 RECOMMENDED P.C. BOARD HOLE LAYOUT
(CONNECTOR MOUNTING SIDE)
 推奨基板厚
 P.C. BOARD THK 1.6 ± 0.1

SEE SHEET 1 OF 3	
LTR	変更 (REVISION RECORD)
DR	CHK DATE

Copyright ©1995 株式会社 田宮電子工業 Tyco Electronics AMP K.K.		Copyright ©1995 Tyco Electronics AMP K.K. ALL RIGHTS RESERVED.		AMP Tyco Electronics AMP K.K. Kawasaki, Japan	
指定電線径 (WIRE RANGE)	絶縁外径 (INSULATION DIA.)	品名 (NAME) LOW PROFILE ME4 CARD EDGE CONNECTOR, SLANT (25°) TYPE. (FOR 8 BYTE DIMM RESERVED TYPE)			
材料 (MATERIAL)	仕上 (FINISH)	一般公差 (GENERAL TOLERANCES) 100 μm ±0.2 100 μm ±0.25 30 μm ±0.3 角 = 25°			
DR.	DE.	尺度 (SCALE)	REV.	SHEET 2 OF 3	
CHK.		2-1	A	C-353476	

(CUSTOMER DRAWING) 参考 面

