

## **Excellent Integrated System Limited**

Stocking Distributor

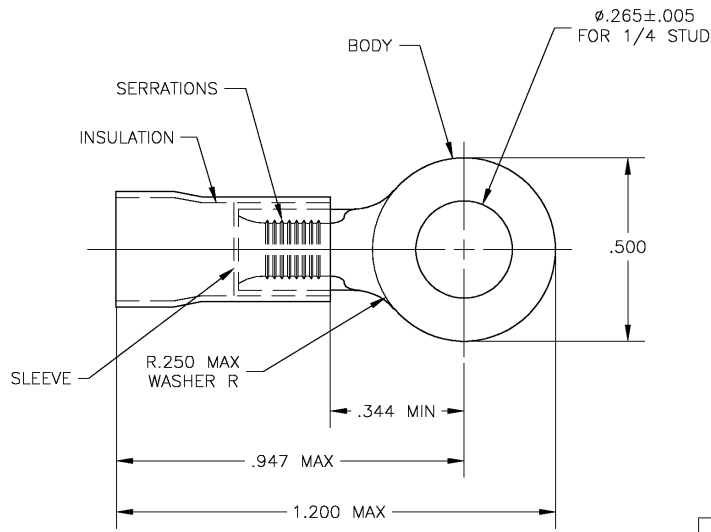
Click to view price, real time Inventory, Delivery & Lifecycle Information:

[TE Connectivity AMP Connectors  
35628](#)

For any questions, you can email us directly:  
[sales@integrated-circuit.com](mailto:sales@integrated-circuit.com)

THIS DRAWING IS UNPUBLISHED. RELEASED FOR PUBLICATION  
 COPYRIGHT BY TYCO ELECTRONICS CORPORATION. ALL RIGHTS RESERVED.

LOC	DIST	REVISIONS			
P	LR	DESCRIPTION	DATE	DWN	APVD
G	14				
	K	REV PER 063A-0747-03	20NOV03	JR	MS



- 1 FOR .150 TO .215 WIRE INSULATION DIA.
- 2 TONGUE THICKNESS IS .049±.002.
- 3 REPLACED BY 35628

<b>OBSELETE</b> <del>2-35628-1</del> 3	BODY: COPPER PER ASTM B-152 ANNEALED TIN PLATE PER ASTM B-545 INSULATION: PVC, COLOR-YELLOW SLEEVE: COPPER PER ASTM B-152 ANNEALED	35628-0
P/N ON TAPE	MATERIAL & FINISH	PART NO

THIS DRAWING IS A CONTROLLED DOCUMENT.		DWN JR RUTH 20NOV03	Tyco Electronics Corporation Harrisburg, PA 17105	
DIMENSIONS: INCHES		CHK MJ SPICER 20NOV03	NAME	
TOLERANCES UNLESS OTHERWISE SPECIFIED: 0 PLC ± - 1 PLC ± - 2 PLC ± - 3 PLC ± .008 4 PLC ± - ANGLES ± 1°		APVD MJ SPICER 20NOV03	PLASTI-GRIP, RING TONGUE, WIRE SIZE: 16-14HD	
MATERIAL	FINISH	APPLICATION SPEC	SIZE	RESTRICTED TO
-	-	-	A3 00779 C=35628	-
CUSTOMER DRAWING			SCALE 4:1	SHEET 1 OF 1 REV K