

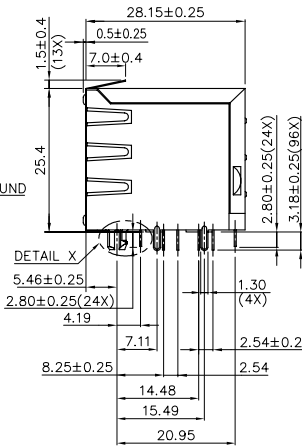
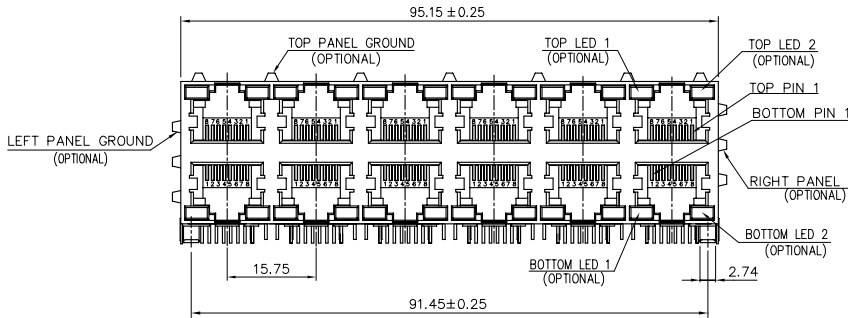
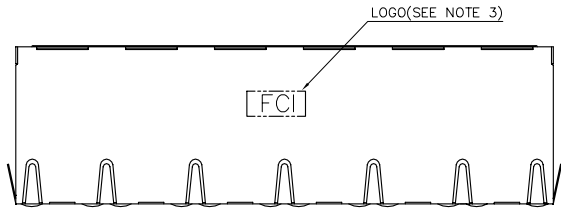
Excellent Integrated System Limited

Stocking Distributor

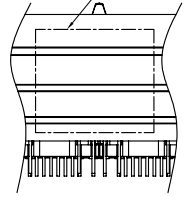
Click to view price, real time Inventory, Delivery & Lifecycle Information:

[FCI](#)
[10118078-513B010LF](#)

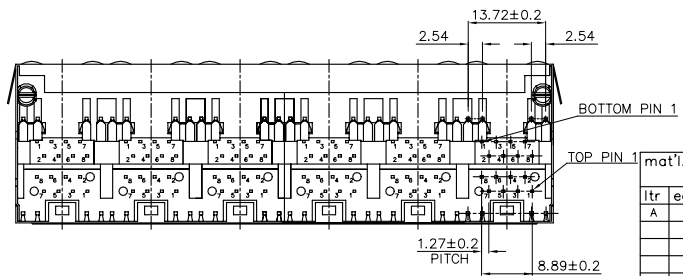
For any questions, you can email us directly:
sales@integrated-circuit.com



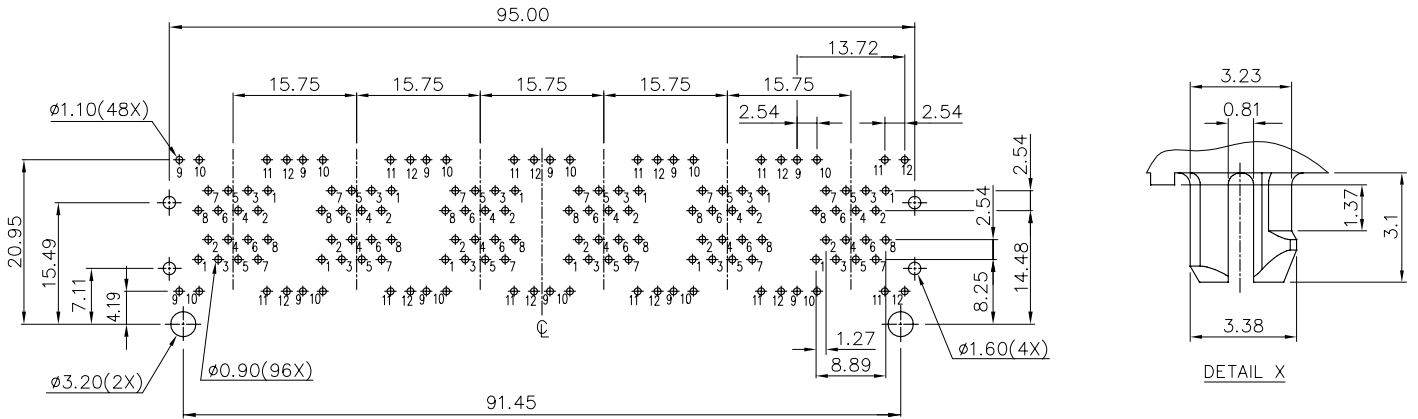
PRINT P/N & DATE CODE
(SEE NOTE 4)



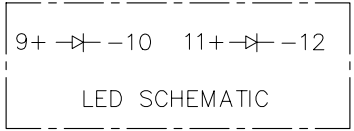
BACK VIEW



mat'l. code		surface	tolerance	projection	product family
A		ASME Y14.5	ASME Y14.5		GANGED M JACK
tr ecn no dr date		tolerances unless otherwise specified			title
WL	11/04/11	X.X ± 0.25			CAT 3 MULTIPORT STACKED
		X.XX ± 0.13			2x6 WITH SHIELD, W/LED
		X.XXX ± 0.05			dwg no
dr	WENDY CHEN 05/11/11	MM			sheet 1 of 3
enr	WENDY CHEN 05/11/11	[INCH]			size
chr	WENDY CHEN 05/11/11	scale			A4
appd	GARY HSIEH 05/11/11				10118078
sheet index	revision sheet	A	A	A	type
1	2	3			CUSTOMER Drawing



RECOMMENDED PCB LAYOUT
 RECOMMENDED PCB THICKNESS: 1.6mm
 TOLERANCE: ±0.05 (TOP VIEW)



mat'l. code	surface ASME Y14.5	tolerance ASME Y14.5	projection	product family GANGED M JACK
ltr	ecn	no	dr	date
A				
tolerances unless otherwise specified				title CAT 3 MULTI PORT STACKED 2x6 WITH SHIELD, W/LED
angle	X.X±0.25		MM	dwg no 10118078
line	X.XX±0.13		[INCH]	
X±1'	X.XXX±0.05		scale	sheet 2 of 3
dr	WENDY CHEN	05/11/11	FCI	size A4
enr	WENDY CHEN	05/11/11		type CUSTOMER Drawing
chr	WENDY CHEN	05/11/11		
appd	GARY HSIEH	05/11/11		
sheet index	revision sheet			

NOTE:

1. MATERIAL:
TOP HOUSING: HIGH TEMPERATURE THERMOPLASTIC, UL94V-0, COLOR: BLACK.
BOTTOM HOUSING: HIGH TEMPERATURE THERMOPLASTIC, UL94V-0, COLOR: BLACK.
CONTACTS: COPPER ALLOY.
SHIELD: COPPER ALLOY.
LED SOLDER TAIL: STEEL.
2. FINISH:
CONTACTS: 50u" MIN. NICKEL UNDER PLATED OVER ALL.
SELECTIVE GOLD PLATED ON CONTACT AREA,
1u" GOLD PLATED ON SOLDER TAIL.
LED SOLDER TAIL: 100u" MIN. BRIGHT TIN OVER
50u" NICKEL UNDER PLATED.
SHIELD: 20u" MIN. NICKEL OVER ALL.
3. LASER MARK FCI LOGO ON THE TOP OF SHIELD.
4. "DATE CODE" DESCRIPTION:
XX XX
|
WEEK
|
YEAR (EX. : 10--2010)
5. PRODUCT PERFORMANCE PER SPEC. : GS-12-0990.
6. PACKING SPEC. : GS-14-2170.
7. THIS PRODUCT MEETS THE EUROPEAN UNION DIRECTIVE AS DESCRIBED
IN GS-22-008.
8. THE HOUSING WILL WITHSTAND EXPOSURE TO 260°C PEAK TEMPERATURE
FOR 5 SECONDS IN A WAVE SOLDER APPLICATION WITH A CIRCUIT BOARD.

9. PART NUMBER DESCRIPTION:

- 10118078-X X X X X X LF
- LEAD FREE
 - 0 : RESERVED (NOT USED)
 - PACKAGING
 - 1 : TRAY
 - OPTIONAL BACK SHIELD TAB
 - 0 : WITHOUT BACK SHIELD TAB
 - OPTIONAL RIGHT / LEFT SHIELD TAB
 - B : SHIELD TAB WITHOUT INNER SHIELD
 - OPTIONAL PANEL GROUND
 - 0 : WITHOUT PANEL GROUND
 - 3 : TOP/RIGHT/LEFT 3 SIDES WITH PANEL GROUND
 - LED COLOR
 - 1 : LED1: GREEN / LED2: YELLOW
 - 2 : LED1: YELLOW / LED2: GREEN
 - 3 : LED1: GREEN / LED2: GREEN
 - CONTACT AREA PLATING
 - 1 : 15u" GOLD PLATING
 - 2 : 30u" GOLD PLATING
 - 5 : 1u" GOLD FLASH PLATING



10118078-XX0XXXXLF
(WITHOUT PANEL GROUND)



10118078-XX3XXXXLF
(3 SIDES PANEL GROUND)

mat'l. code		surface ASME Y14.5	tolerance ASME Y14.5	projection	product family GANGED M JACK
ltr	ecn no	dr	date	tolerances unless otherwise specified	title
A				X.X±0.25 X.XX±0.13 X.XXX±0.05	CAT 3 MULTIPORT STACKED 2x6 WITH SHIELD, W/LED
				MM [INCH]	dwg no
				scale	10118078
		dr	WENDY CHEN 05/11/11	FCI	sheet 3 of 3
		enr	WENDY CHEN 05/11/11		size
		chr	WENDY CHEN 05/11/11		A4
		appd	GARY HSIEH 05/11/11		type
sheet index	revision sheet				CUSTOMER Drawing