

## **Excellent Integrated System Limited**

Stocking Distributor

Click to view price, real time Inventory, Delivery & Lifecycle Information:

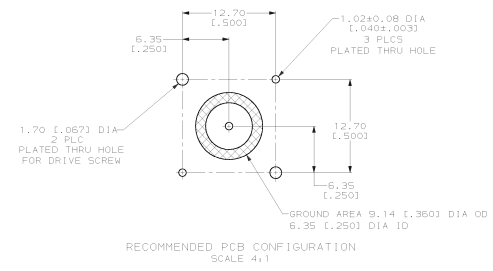
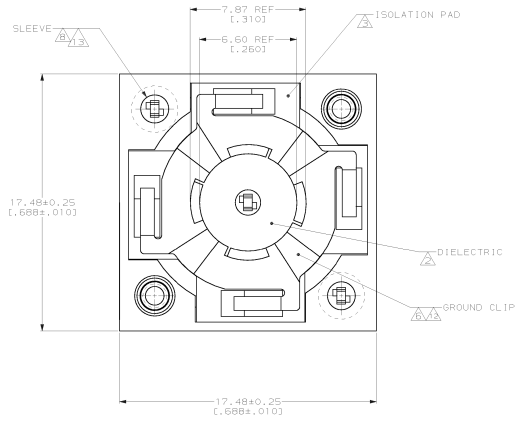
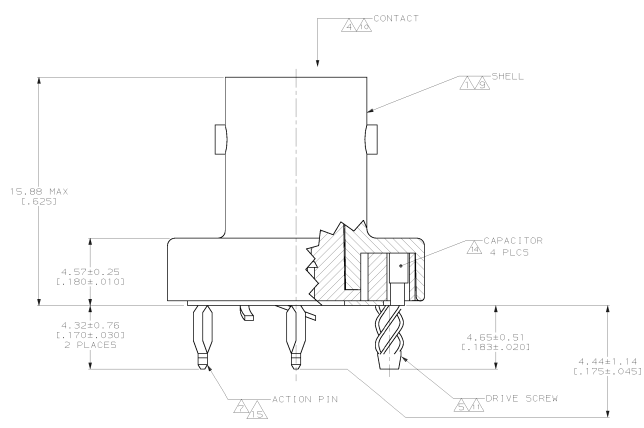
[TE Connectivity AMP Connectors  
414553-1](#)

For any questions, you can email us directly:

[sales@integrated-circuit.com](mailto:sales@integrated-circuit.com)

PRINTING MADE IN THISED ANGLE PROJECTION  
 THIS DRAWING IS UNCONTROLLED. RELEASED FOR PUBLICATION  
 © COPYRIGHT 14 BY AMP INCORPORATED. ALL INTERNATIONAL RIGHTS RESERVED.

REV	DATE	DESCRIPTION	DATE	APPD
AJ	16	H	REV PER QJ20-0223-00	REWORK MD



- ▲ ZINC PER 00-Z-363.
- ▲ PTFE PER MIL-P-19468.
- ▲ POLYESTER PER MIL-P-24519.
- ▲ BERYLLIUM COPPER PER 00-C-530.
- ▲ STAINLESS STEEL PER ASTM-A-582.
- ▲ PHOSPHOR BRONZE PER ASTM-B-103.
- ▲ COPPER NICKEL ALLOY PER ASTM-B-122.
- ▲ BRASS PER 00-B-626.
- ▲ NICKEL PLATE PER 00-N-290  
5.08µm (.000150) MINIMUM THICK.
- ▲ GOLD PLATE PER MIL-G-45204  
0.76µm (.000050) MINIMUM THICK.
- ▲ PASSIVATE PER 00-P-35.
- ▲ NICKEL PLATE PER 00-N-290  
0.76µm (.000050) MINIMUM THICK.
- ▲ TIN-LEAD PLATE PER ASTM-B-545,  
2.54µm (.00100) MINIMUM THICK.
- ▲ ELECTRICAL CHARACTERISTICS:  
A. CAPACITANCE 10800 pF  
B. DIELECTRIC WITHSTANDING VOLTAGE  
1000 VDC
- ▲ GOLD PLATE PER MIL-G-45204

RECOMMENDED PCB CONFIGURATION  
 SCALE 4:1

DO NOT SCALE PRINT.		DR 3-25-93	414553-1	
DIMENSIONS IN MM (INCHES)		CHK 4-8-93	PART NO	
TOLERANCES UNLESS SPECIFIED		APPD 4-8-93	AMP Incorporated	
2 PLC DEC ± 0.05 (1.002)		DATE	Harrisburg, PA 17115-3608	
3 PLC DEC ± -		APPR 4-8-93	JACK, DECOUPLER, PCB, ACTION PIN, 50Ω, BNC	
ANGLES ± -		PRODUCT SPEC		
SEE NOTES 1 THRU 8		FINISH	SIZE	CAGE CODE
SEE NOTES 9 THRU 13		APPLICATION SPEC	D 00779	414553
		HEIGHT	SCALE	SHEET
			B:1	1 OF 1