

Excellent Integrated System Limited

Stocking Distributor

Click to view price, real time Inventory, Delivery & Lifecycle Information:

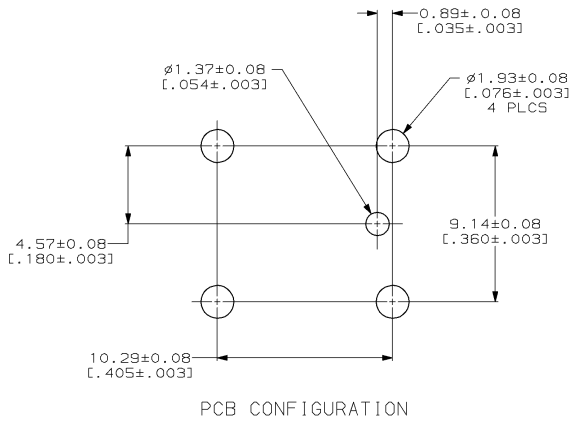
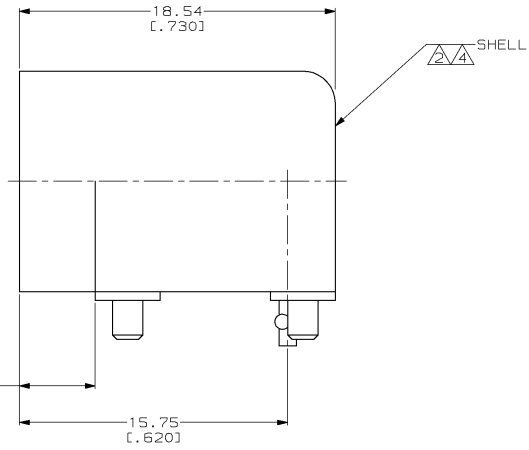
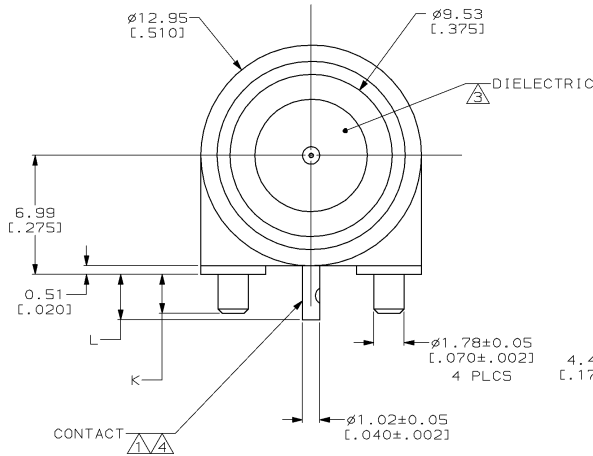
[TE Connectivity AMP Connectors](#)
[415406-1](#)

For any questions, you can email us directly:

sales@integrated-circuit.com

4
 DRAWING MADE IN THIRD ANGLE PROJECTION
 THIS DRAWING IS UNPUBLISHED. RELEASED FOR PUBLICATION JUNE 4, 1996
 © COPYRIGHT 1996 BY AMP INCORPORATED. ALL INTERNATIONAL RIGHTS RESERVED.

LOC		DIST		REV		REVISIONS		DATE	APPD
ZONE	LTR	DESCRIPTION	DATE	APPD					
	O	RLSE -1 PER 96-3972-013	6-4-96	JL					
	A	REV PER 0503-0181-96	9-26-96	JL					
	B	RLSE -2 PER 0630-0303-98	29JUL98	MO					



- 1 BRASS PER ASTM-B-16
- 2 ZINC PER QQ-Z-363.
- 3 POLYPROPYLENE, GENERAL PURPOSE
- 4 TIN-LEAD PLATE PER ASTM-B-545
3.81 μm [0.000150] MINIMUM THICK.
- 5. TEST JACK INSERTION DEPTH TO BE .450 IN

3.30 [0.130]	3.30 [0.130]	415406-2
2.29 [0.090]	2.67 [0.105]	415406-1
K	L	PART NUMBER

DO NOT SCALE PRINT. UNLESS SPECIFIED DIMENSIONS IN mm [INCHES] TOLERANCES ON :		DR 5-29-96 J. LIPPERT		AMP Incorporated Harrisburg, PA 17105-3608	
2 PLC DEC ±		CHK 6-4-96 K. WEIDNER			
3 PLC DEC ± 0.20 (0.008)		APPD 6-4-96 K. WEIDNER		NAME	
ANGLES ±		APPD 6-4-96 J. LIPPERT		TEST PLUG, PCB, RIGHT ANGLE, G SERIES	
MATERIAL		PRODUCT SPEC		FINISH	
SEE NOTES 1 THRU 5		APPLICATION SPEC		SIZE	
FINISH		WEIGHT		CAGE CODE	
SEE NOTE 6		SCALE 6:1		DRAWING NO	
				00779	
				C=415406	
				SHEET 1 OF 1	

THIS DRAWING IS A CONTROLLED DOCUMENT FOR AMP INCORPORATED. IT IS SUBJECT TO CHANGE AND THE CONTROLLING ENGINEERING ORGANIZATION SHOULD BE CONTACTED FOR THE LATEST REVISION.